

## Power Take Offs

Relation 1 : 1

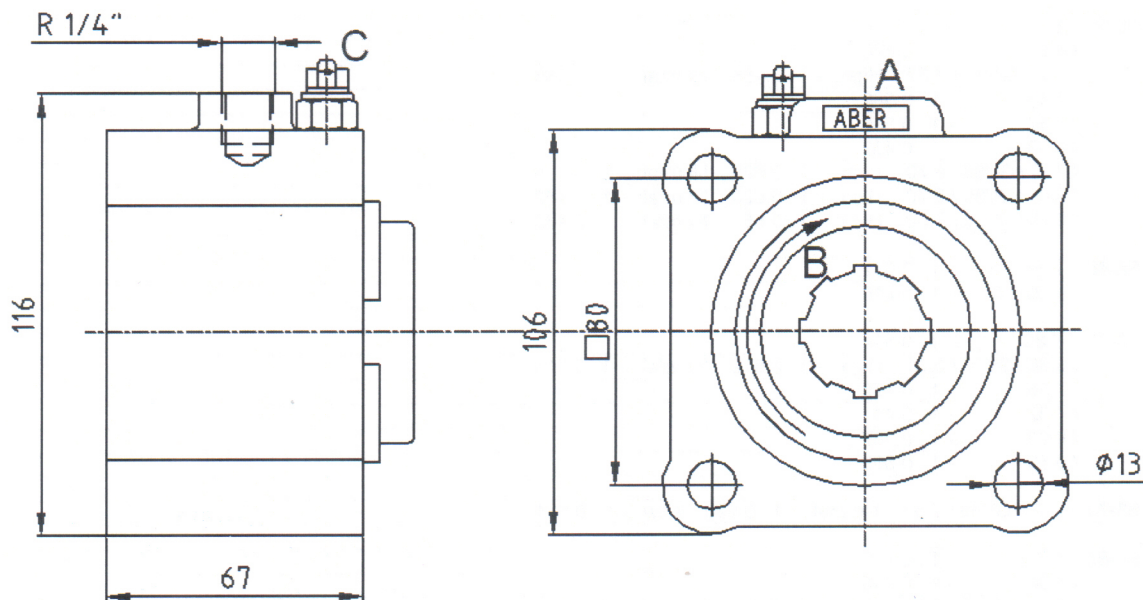
Ref. TF4002SP

ZF

S5-50 ; S5-90 ; S6-65 ; S6-66 ; S6-70 ; S6-75 ; S6-80 ; S6-90 ;  
6S-800 ; 6S-1000

To apply with Gear Pumps or Piston Pumps

### Main Dimensions



- A – Air connection
- B – Pump rotation
- C – Option: Electric sensor with mechanical driving Ref. TF4002SPS

(Dimensions in mm)

### Main Data

Continuous Torque (Nm)	300
Intermittent Torque (Nm)	420
Power (at 1000 r.p.m)	42 C.V. / 32 Kw
Mounting Position	Rear
Pump Rotation	Left Hand
Weight (Kg)	4
Engine to PTO ratio	
S5-50 / 5.30	- 1 : 0.653
/ 5.50	- 1 : 0.615
/ 6.20	- 1 : 0.545
/ 6.61	- 1 : 0.510
/ 6.61+GV80 / 5.30	High: - 1 : 0.637 Normal: - 1 : 0.510
/ 8.02	- 1 : 0.422
/ 8.02+GV80 / 6.20	High: -1 : 0.545 Normal: - 1 : 0.421

CTI TF4002SP 0811- 3

ABER is constantly engaged in improving its products and, therefore, reserves itself the right to modify without any further notice the characteristics shown



ABER - Embragens e Comandos Hidráulicos - A. B. LDA

Rua Francisco de Almeida, N° 30 – Vila Nova da Telha – 4470 MAIA - Portugal

Telephone: +351.22.9438070 Fax: +351.22.9420823 e-mail: [aber@aber.pt](mailto:aber@aber.pt) <http://www.aber.pt>