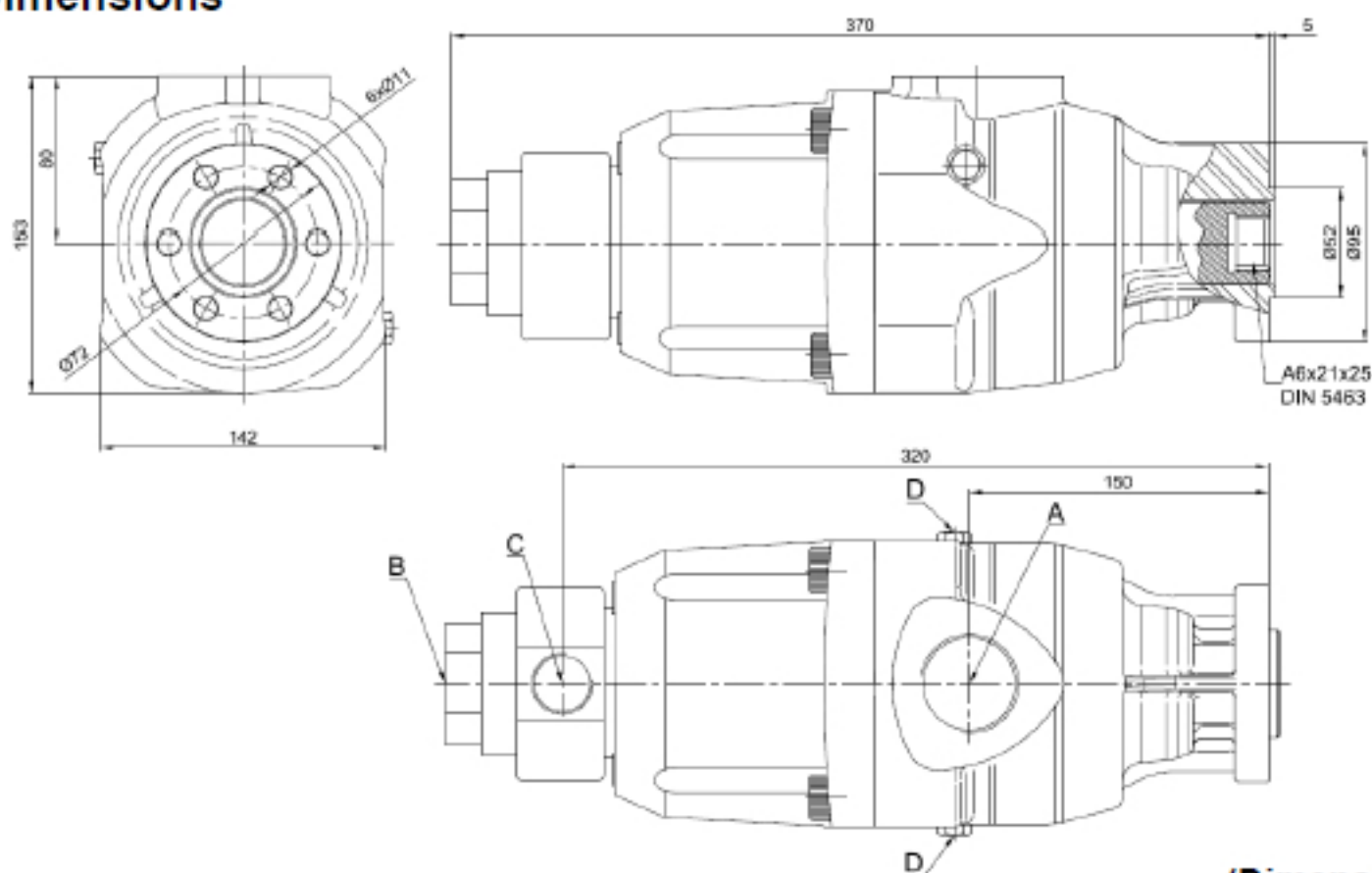


## Main Dimensions



(Dimensions in mm)

## Main Data

Pumps BHD_UNI	40+40		45+45		50+50		53+53		60+30		65+22		72+38		80+21		80+27		83+42	
	B	C	B	C	B	C	B	C	B	C	B	C	B	C	B	C	B	C	B	C
Displacement (cm <sup>3</sup> /rot.)	40	40	45	45	50	50	53	53	60	30	65	22	72	38	80	21	80	27	83	42
Output at max. rotation (l/min)	60	60	72	72	60	60	66	66	90	45	104	35	86	46	100	26	100	34	83	42
Operating pressure (bar up to)	300		400		250		300		300		400		250		300		300		250	
Peak pressure (bar)	350		450		300		350		350		450		300		350		350		300	
Rotation min. (rpm)	200		200		200		200		200		200		200		200		200		200	
Rotation máx. (rpm)	1500		1600		1200		1250		1500		1600		1200		1250		1250		1000	
Weight (kg)	23		24		23		24		23		24		23		24		24		23	
Sense of Rotation	Bi-directional																			
A - Oil inlet (BSP)	2"		2"		2"		2"		2"		2"		2"		2"		2"		2"	
B - Oil outlet (BSP)	3/4"		3/4"		3/4"		3/4"		3/4"		3/4"		3/4"		3/4"		3/4"		3/4"	
C - Oil outlet (BSP)	3/4"		3/4"		3/4"		3/4"		3/4"		3/4"		3/4"		3/4"		3/4"		3/4"	
D	Oil drain plug																			

### How to order:

**Example:** Pump 40cm<sup>3</sup>+40cm<sup>3</sup>, operating pressure up to 300 bar, peak pressure 350 bar; ref. BHD with DIN 5463 (UNI) → BHD40+40UNI

ABER is constantly engaged in improving its products and, therefore, reserves itself the right to modify without any further notice the characteristics shown

