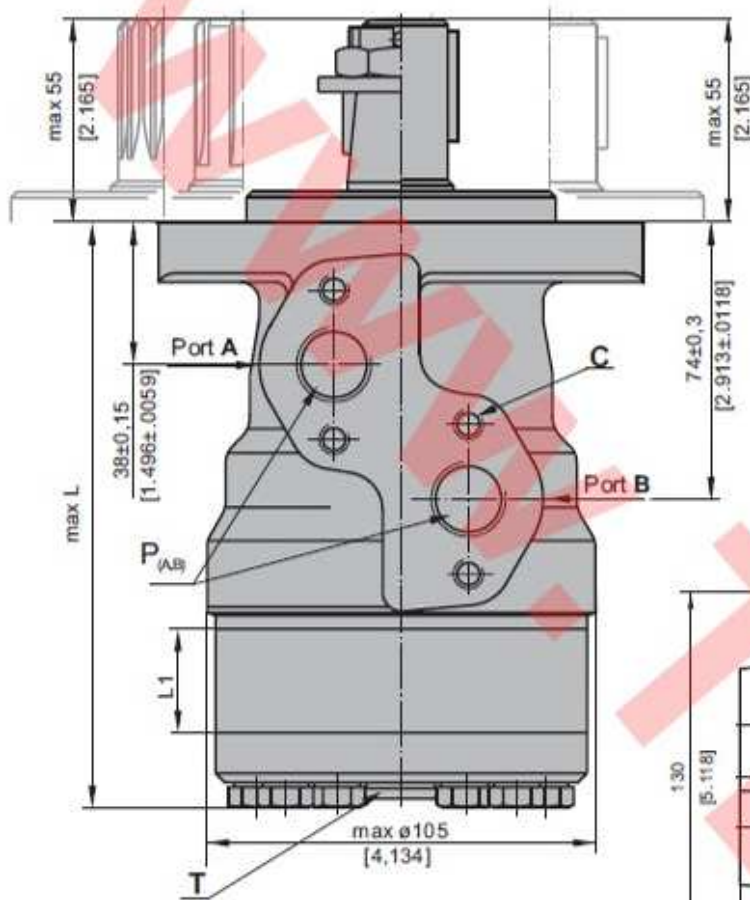


## DIMENSIONS AND MOUNTING DATA



- C : 4xM8 - 13 mm [.51 in] depth
- P<sub>(A,B)</sub>: 2xG 1/2 or 2xM22x1,5 - 15 mm [.59 in] depth
- T : G1/4 or M14x1,5 - 12 mm [.47 in] depth (plugged)

### Standard Rotation

Viewed from Shaft End

Port A Pressurized - CW

Port B Pressurized - CCW

### Reverse Rotation

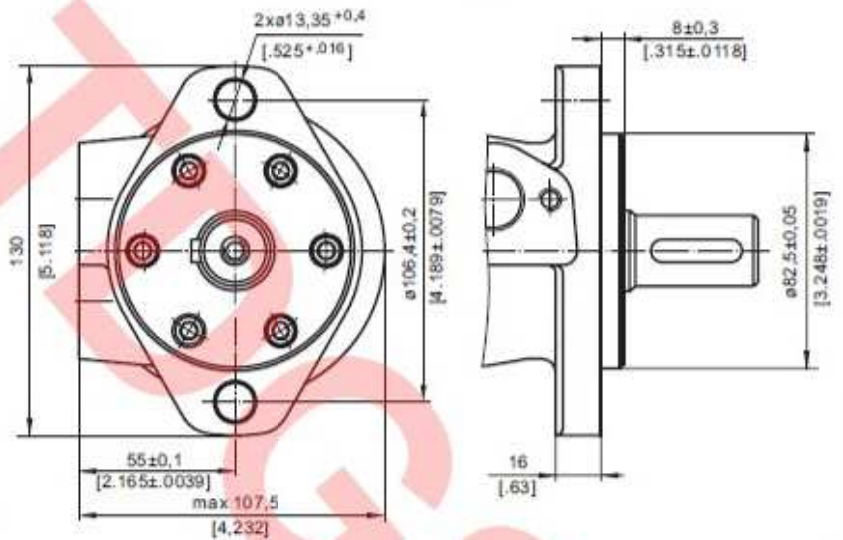
Viewed from Shaft End

Port A Pressurized - CCW

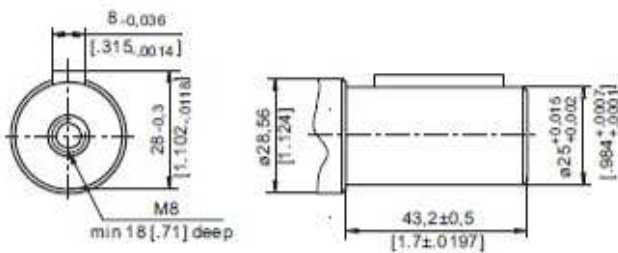
Port B Pressurized - CW

Type	L, mm [in]
MR(F) 50	138,0 [5.43]

### Oval Mount (2 Holes)



**C** -  $\phi 25$  straight, Parallel key A8x7x32 DIN 6885  
Max. Torque 34 daNm [3010 lb-in]



### Side Ports

