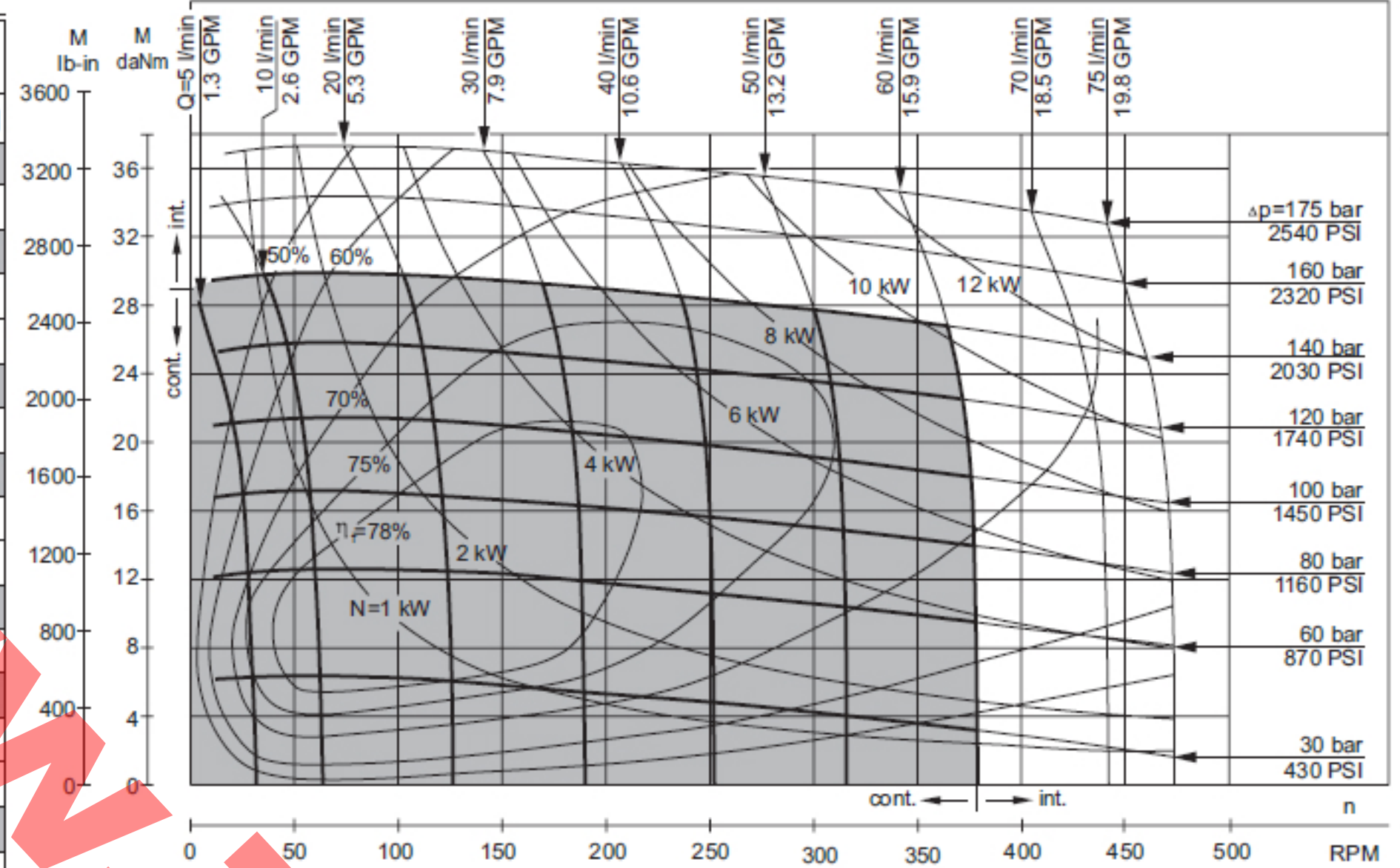


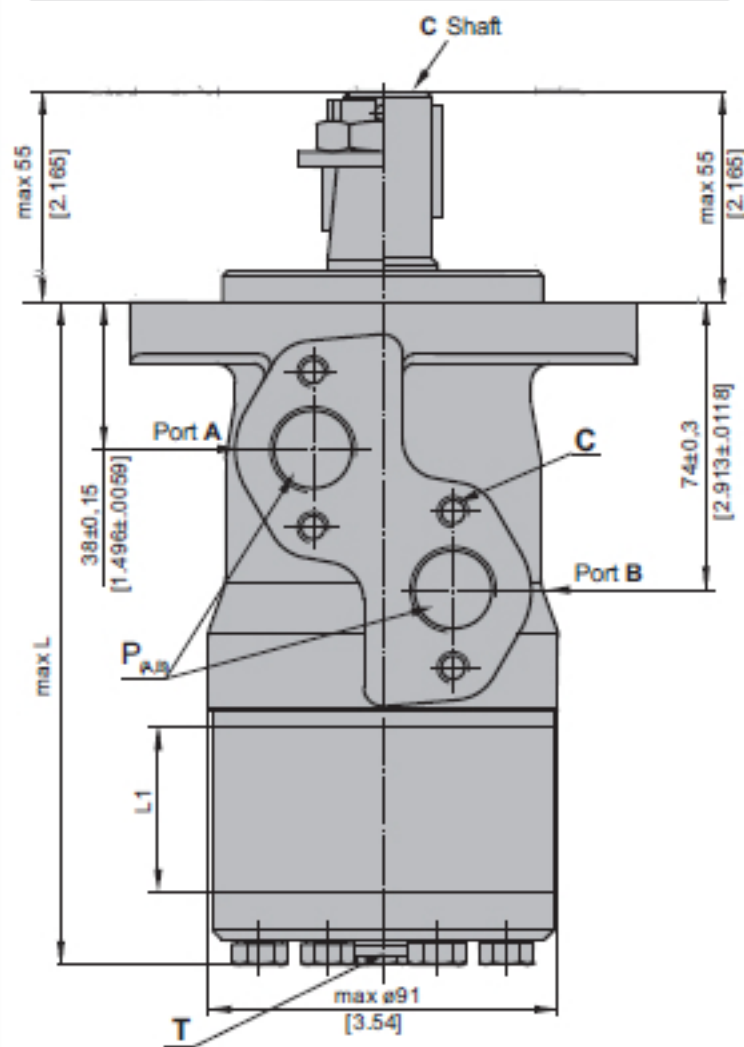
SPECIFICATION DATA

Type		MP 160
Displacement, cm ³ /rev [in ³ /rev]		158,4 [9.66]
Max. Speed, [RPM]	Cont.	378
	Int.*	472
Max. Torque daNm [lb-in]	Cont.	31,3 [2770]
	Int.*	37,8 [3345]
	Peak**	43,8 [3880]
Max. Output kW [HP]	Cont.	10,1 [13.5]
	Int.*	12,1 [16.2]
Max. Pressure Drop bar [PSI]	Cont.	140 [2030]
	Int.*	175 [2540]
	Peak**	225 [3260]
Max. Oil Flow lpm [GPM]	Cont.	60 [15.9]
	Int.*	75 [19.8]
Max. Inlet Pressure bar [PSI]	Cont.	175 [2540]
	Int.*	200 [2900]
	Peak**	225 [3260]
Max. Return Pressure with Drain Line bar [PSI]	Cont.	175 [2540]
	Int.*	200 [2900]
	Peak**	225 [3260]
Max. Starting Pressure with Unloaded Shaft, bar [PSI]		8 [116]
Min. Starting Torque daNm [lb-in]	At max.press. drop Cont.	28,2 [2500]
	At max.press. drop Int.*	35,5 [3140]
Min. Speed***, [RPM]		10
Weight, kg [lb]	MP(F)(N)	6,4 [14.1]
	MPW(N)	6,1 [13.5]
	MPQ(N)	5,8 [12.8]

MP 160

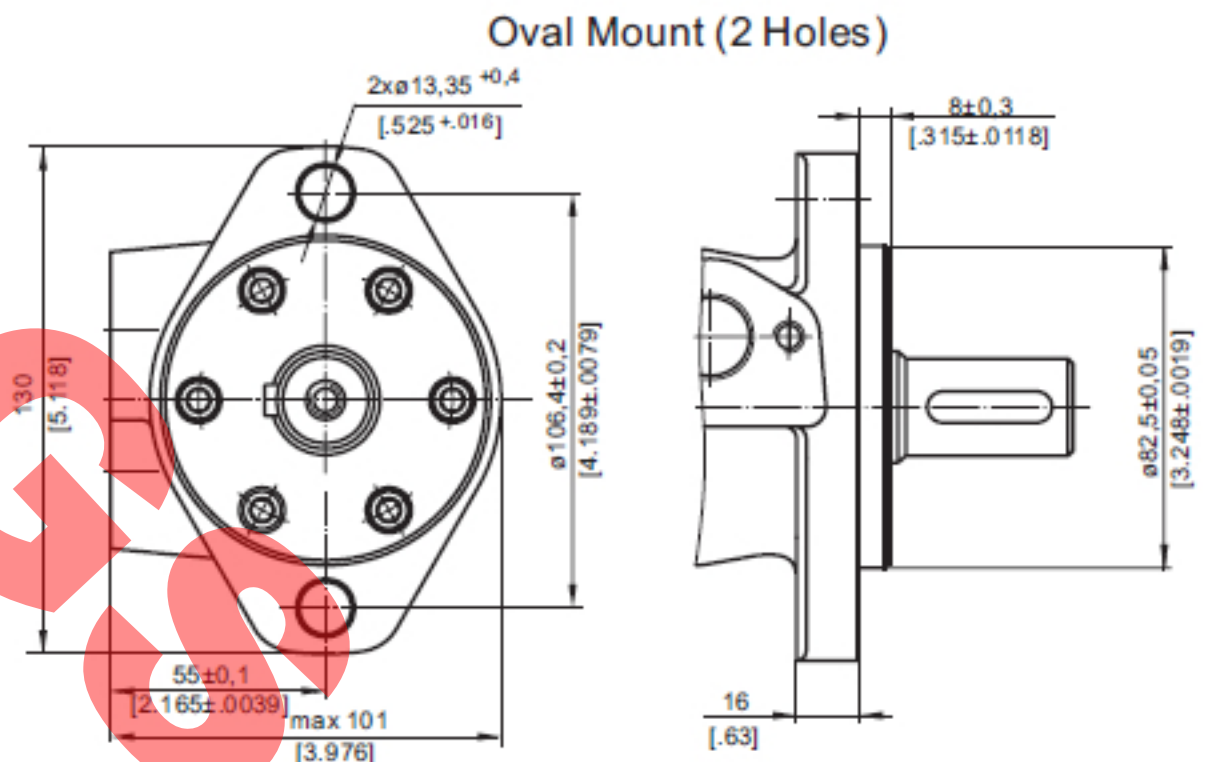
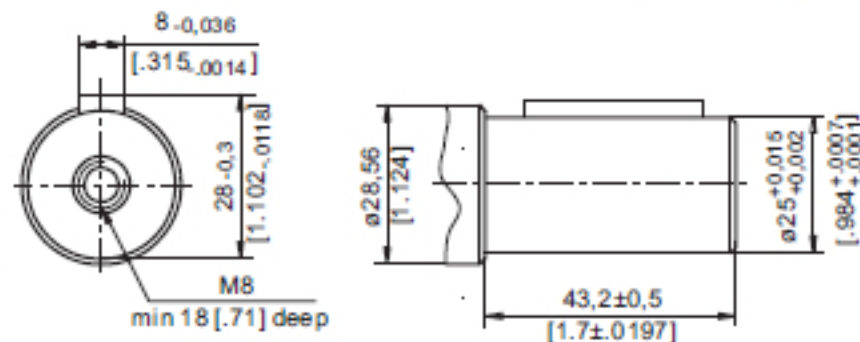


DIMENSIONS AND MOUNTING DATA

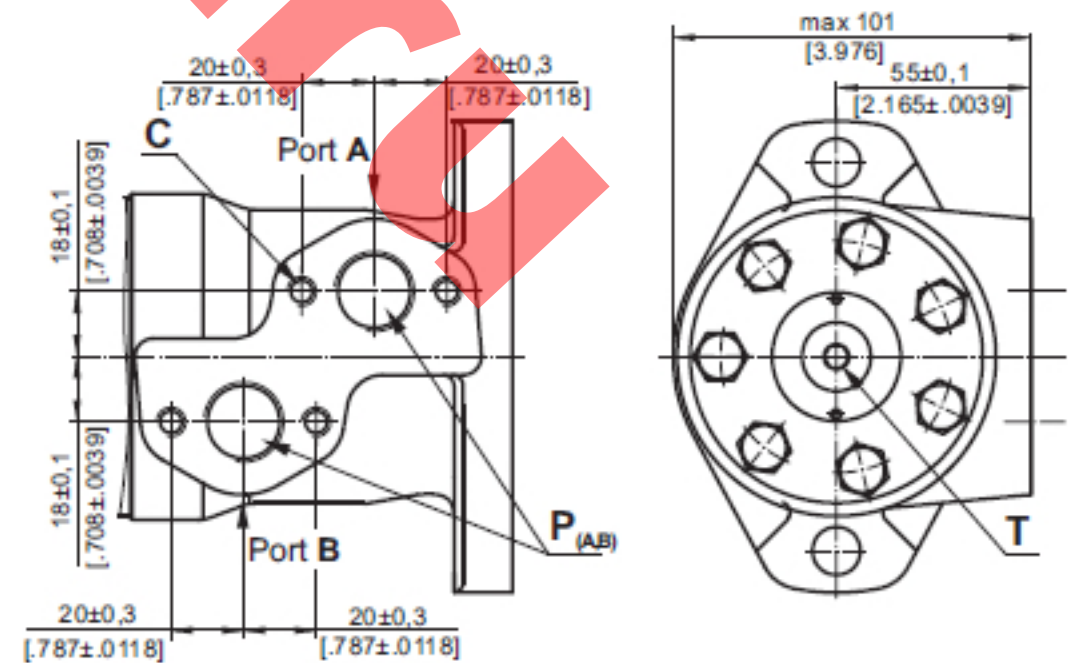


Type	L, mm [in]
MP(F) 160	150,0 [5.91]

C - ø25 straight, Parallel key A8x7x32 DIN 6885
Max. Torque 34 daNm [3010 lb-in]



Side Ports



- C** : 4xM8 - 13 mm [.51 in] depth
- P_(A,B)** : 2xG1/2 or 2xM22x1,5 - 15 mm [.59 in] depth
- T** : G1/4 or M14x1,5 - 12 mm [.47 in] depth (plugged)