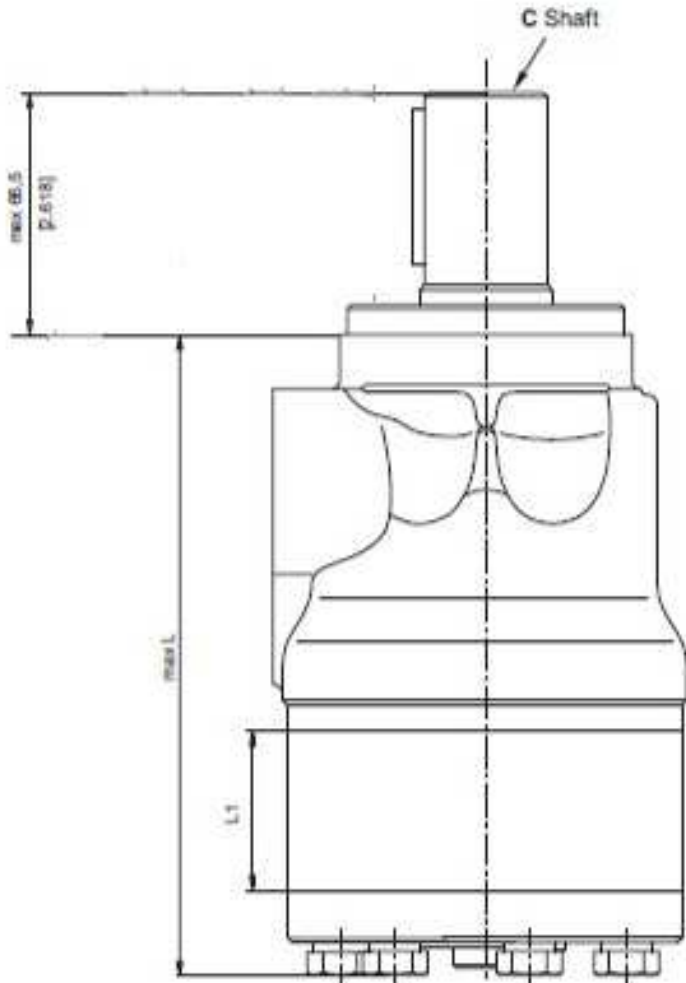
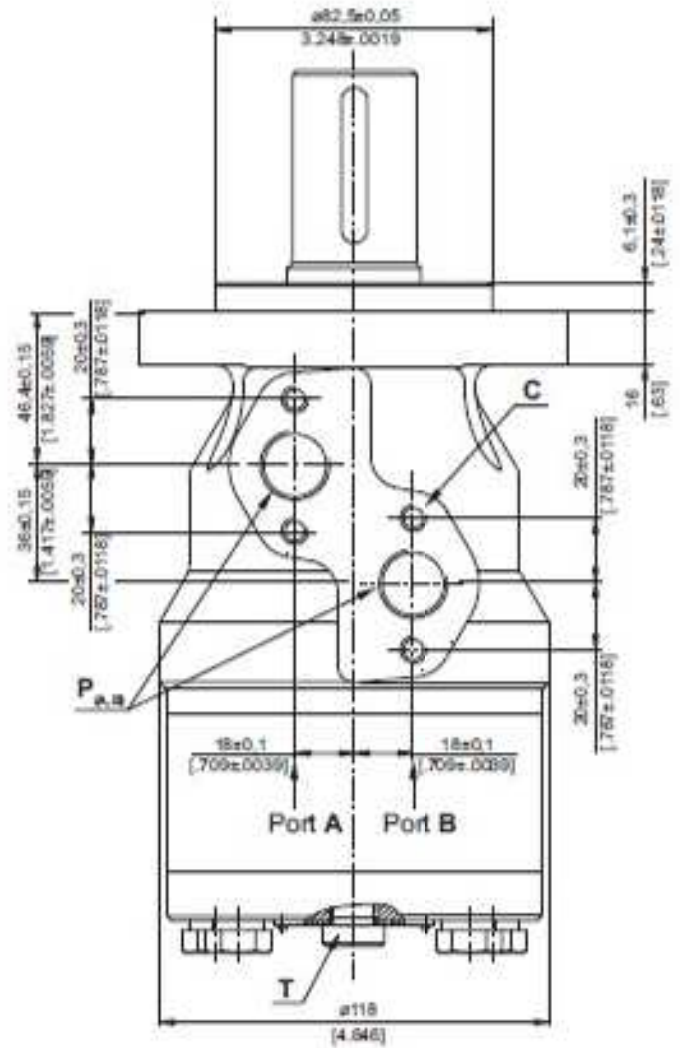


DIMENSIONS AND MOUNTING DATA

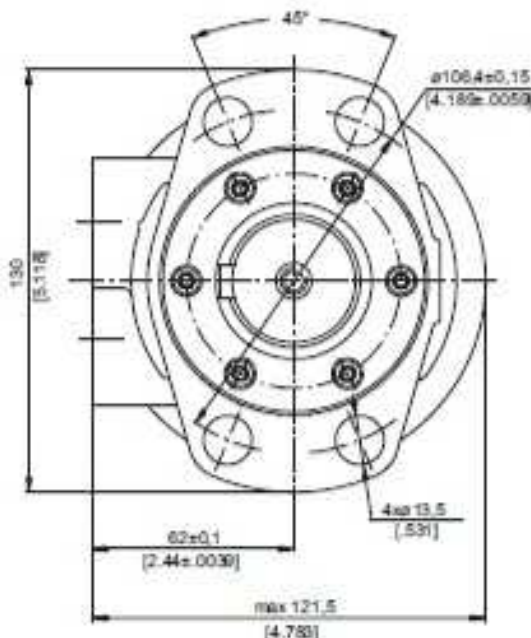
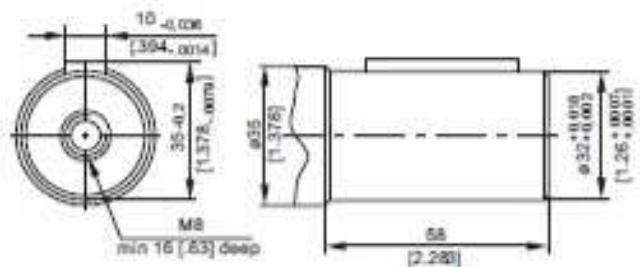
Magneto Mount (4 holes)



Type	L, mm [in.]	L ₁ , mm [in.]
MH 315	184 [7.24]	43,5 [1.71]



C - $\varnothing 32$ straight, Parallel key A10x8x45 DIN 6885
Max. Torque 77 daNm [6815 lb-in]



C : 4xM8-13 mm [.51 in] depth

P_(A,B) : 2xG1/2 or 2xM22x1,5-15 mm [.59 in] depth

T : G1/4 or M14x1,5-12 mm [.47 in] depth (plugged)

Standard Rotation

Viewed from Shaft End

Port A Pressurized - CW

Port B Pressurized - CCW

Reverse Rotation

Viewed from Shaft End

Port A Pressurized - CCW

Port B Pressurized - CW