



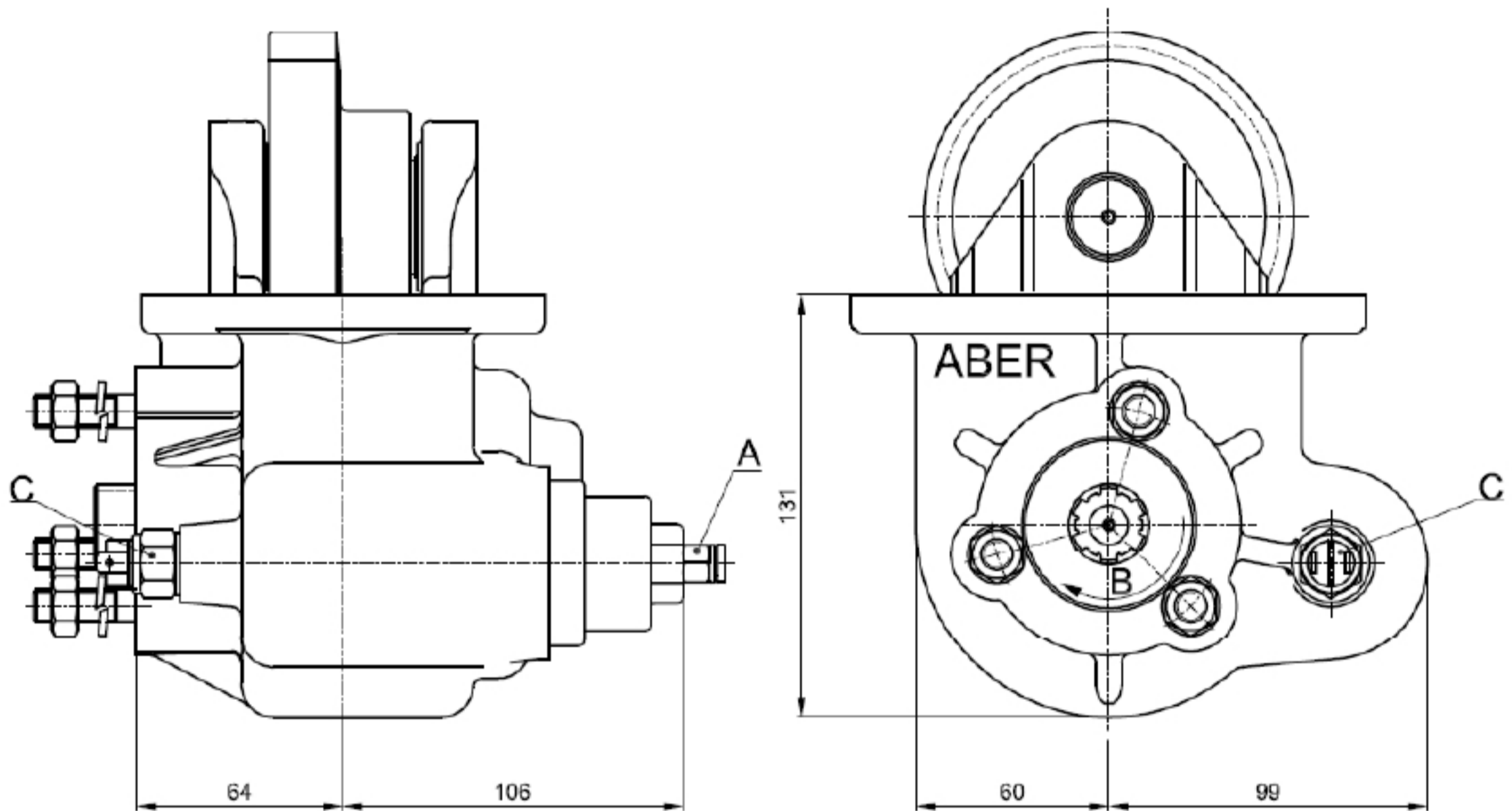
Power Take Offs

Ref. TF19001P

MAZ

236

Main Dimensions



- A – Pneumatic connection
- B – Pump rotation
- C – Option: Electric sensor with mechanical driving Ref. 19001PS

(Dimensions in mm)

Main Data

Continuous Torque (Nm)	320
Intermittent Torque (Nm)	400
Power (at 1000 r.p.m)	48 C.V. / 35 Kw
Mounting Position	Right
Pump Rotation	Left Hand
Weight (Kg)	9
Engine to PTO ratio	

Maz 236 1 : 0.900

ABER is constantly engaged in improving its products and, therefore, reserves itself the right to modify without any further notice the characteristics shown. The gear boxes are in constant change; therefore, ABER is not to be held responsible for any damage resulting from wrong application or application of outdated material.



ABER - Embraiaçes e Comandos Hidráulicos - A. B. LDA

Rua Francisco de Almeida, N° 30 – Vila Nova da Telha – 4470 MAIA - Portugal

Telefone: +351.22.9438070 Fax: +351.22.9420823 e-mail: aber@aber.pt <http://www.aber.pt>