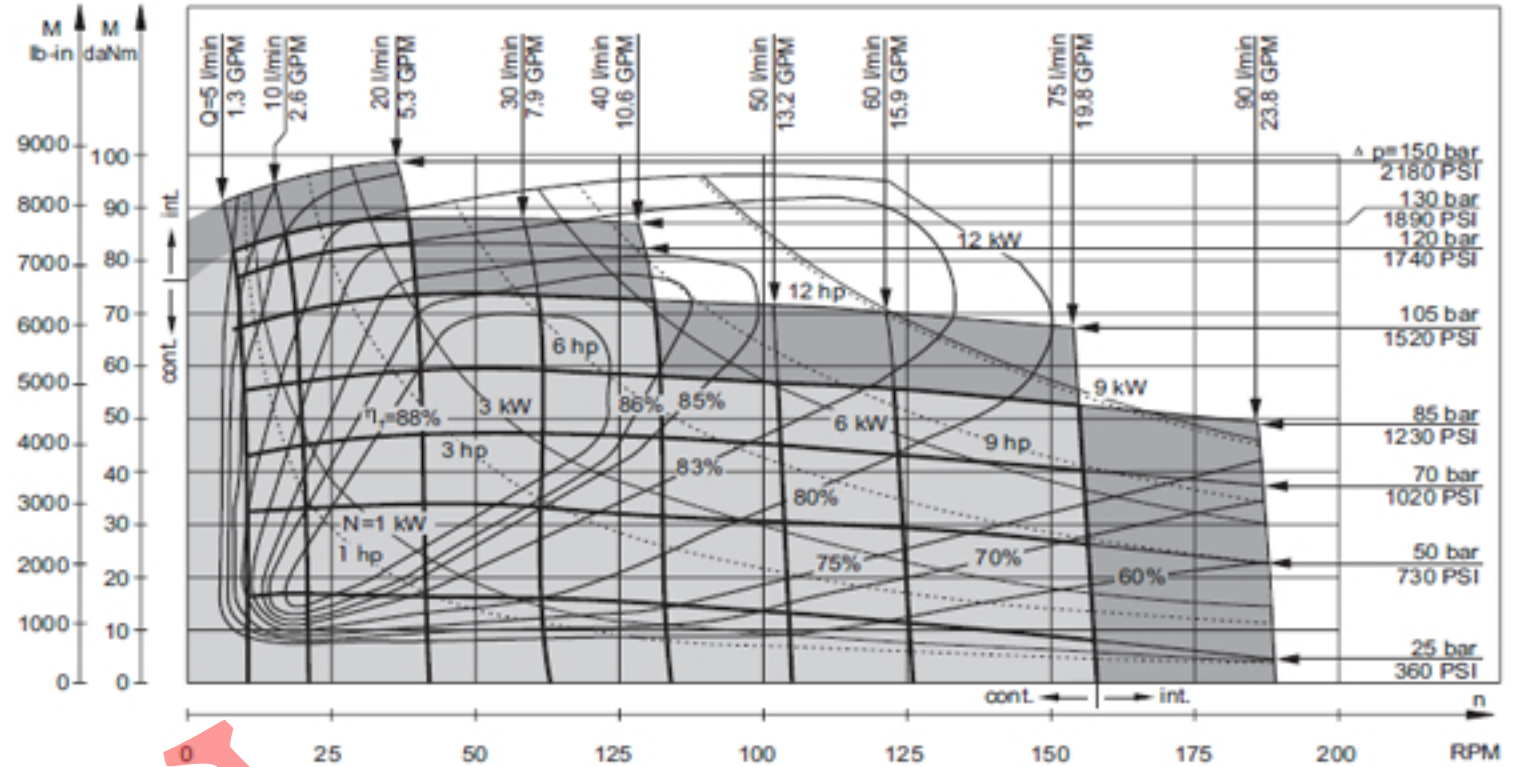


**SPECIFICATION DATA (continued)**

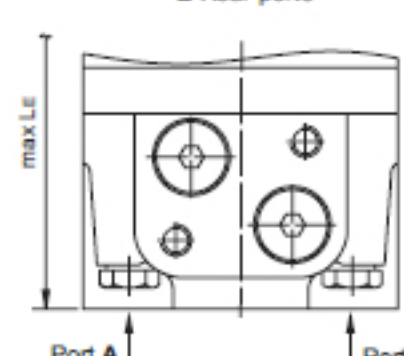
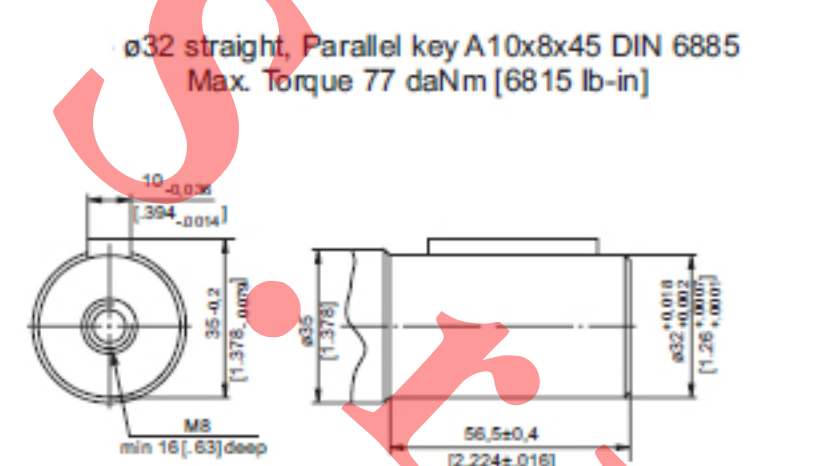
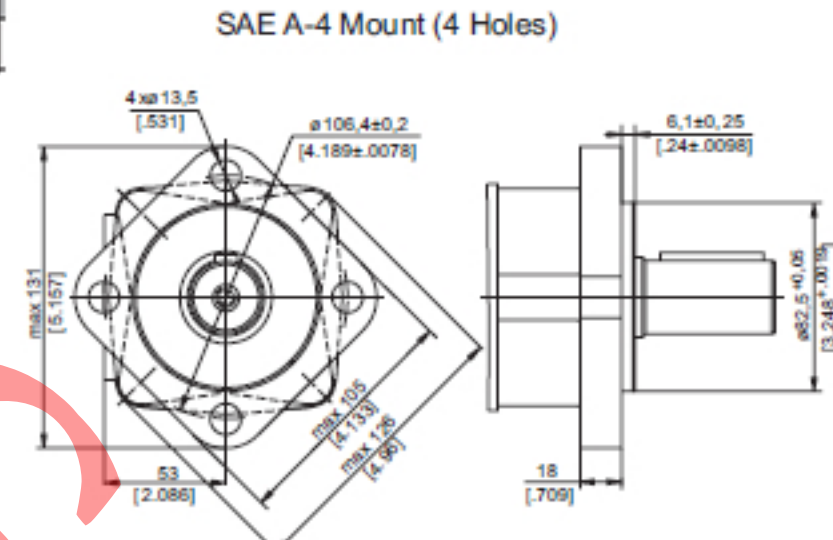
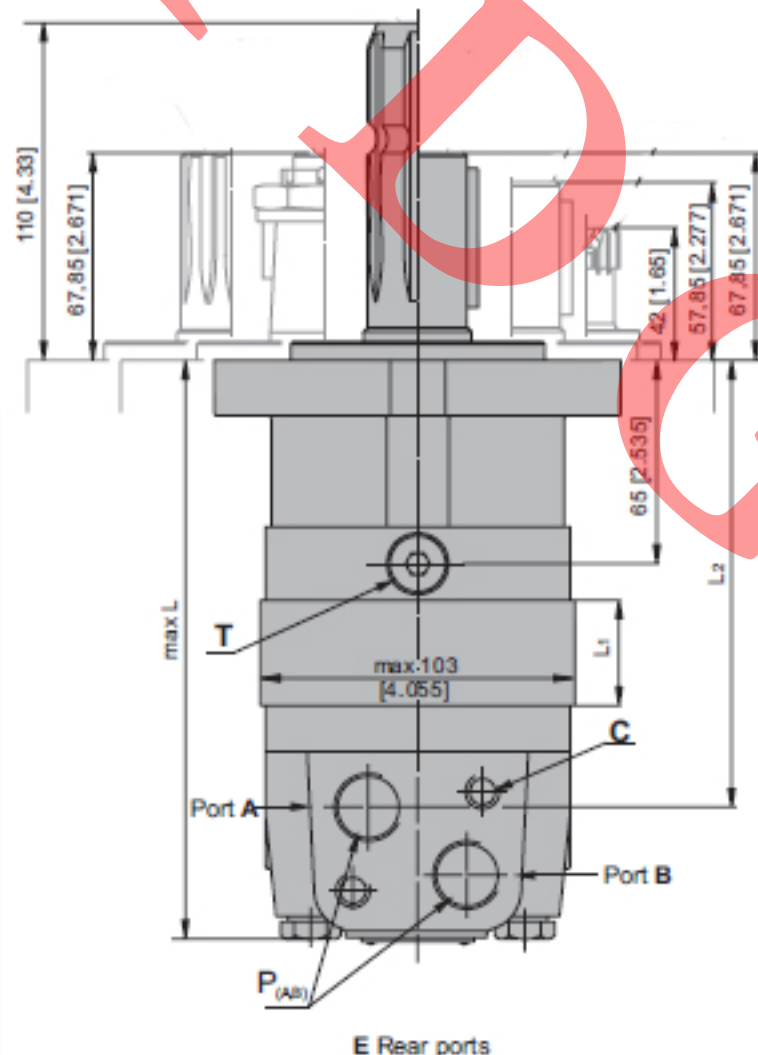
**MS 475**

Type		MS 475
Displacement, cm <sup>3</sup> /rev [in <sup>3</sup> /rev]		474,6 [28.96]
Max. Speed, [RPM]	cont. int.*	160 190
Max. Torque daNm [lb-in]	cont. int.*	85 [7520] 99 [8760]
Max. Output kW [HP]	cont. int.*	8,4 [11] 11,3 [15]
Max. Pressure Drop bar [PSI]	cont. int.* peak**	130 [1880] 150 [2180] 170 [2470]
Max. Oil Flow lpm [GPM]	cont. int.*	75 [20] 90 [24]
Max. Inlet Pressure bar [PSI]	cont. int.* peak**	230 [3340] 295 [4280] 300 [4350]
Max. Return Pressure with Drain Line bar [PSI]	cont. int.* peak**	140 [2030] 175 [2540] 210 [3050]
Max. Starting Pressure with Unloaded Shaft, bar [PSI]		8 [115]
Min. Starting Torque daNm [lb-in]	at max. press. drop cont. at max. press. drop int.*	71 [6280] 84 [7430]
Min. Speed***, [RPM]		5
Weight, kg [lb]	MS(F) MSW MSS MSV MSQ MSB	14,1 [31] 14,6 [32.2] 12,1 [26.7] 10 [22] 14,5 [32] 21,1 [46.5]
For Rear Ports + 0,40 [.88]		



**DIMENSIONS AND MOUNTING DATA**

Type	L, mm[in.]	L <sub>2</sub> , mm[in.]	*L <sub>E</sub> , mm[in.]
MS(F, A) 475	237 [9.33]	193 [7.60]	242 [9.53]



C: 2xM10-12 mm [.47 in] depth  
 P<sub>(A,B)</sub>: 2xG1/2 or 2xM22x1,5-15 mm [.59 in] depth  
 T: G ¼ or M14x1,5-12 mm [.47 in] depth (plugged)

**Standard Rotation**  
 Viewed from Shaft End  
 Port A Pressurized - CW  
 Port B Pressurized - CCW

**Reverse Rotation**  
 Viewed from Shaft End  
 Port A Pressurized - CCW  
 Port B Pressurized - CW