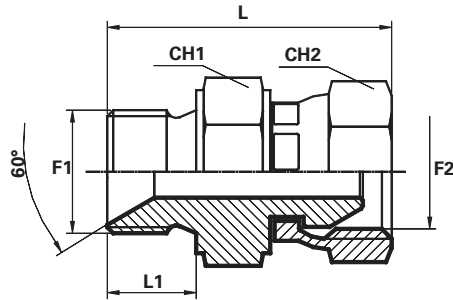


Adattatore diritto

Maschio Gas cilindrico sv 60°

Femmina girevole Gas cilindrica

Adaptor male BSPP – swivel female BSPP
 Adaptateur mâle BSPP – femelle tournante BSPP
 Adapter - AGR / DKR
 Adaptador macho BSPP – hembra giratoria BSPP



F1 - F2 Gas cilindrico, BSPP, Gaz cylindrique, Zylinder Gagewinde, Gas cilindrica

* Dado spinato
 Thrust-wire nut

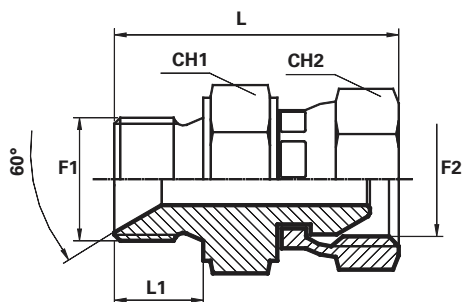
Codice Code Référence Bestell Nr. Código	Filetto Thread Filet Gewinde Rosca		Dimensioni Dimensions Dimensions Masszahlen Dimensiones				PN Bar
	F1	F2	CH1 mm	CH2 mm	L1 mm	L2 mm	
AMFDG0202	1/8"	1/8"	14	15	9.5	31.5	350
AMFDG0404	1/4"	1/4"	19	19	11	35.5	300
AMFDG0606	3/8"	3/8"	22	22	12.5	41.5	280
AMFDG0808	1/2"	1/2"	27	27	14	45.5	200
AMFDG1010	5/8"	5/8"	30	28	16	48	200
AMFDG1212	3/4"	3/4"	32	32	16	51.5	200
AMFDG1616	1"	1"	41	38	18	58.5	120
AMFDG2020	1.1/4"	1.1/4"	50	50	20	66	105
AMFDG2424	1.1/2"	1.1/2"	55	55	21	69.5	105
AMFDG3232 *	2"	2"	70	70	25	80	70

Adattatore diritto

Maschio Gas cilindrico sv 60°

Femmina girevole Gas cilindrica

Adaptor male BSPP – swivel female BSPP
 Adaptateur mâle BSPP – femelle tournante BSPP
 Adapter - AGR / DKR
 Adaptador macho BSPP – hembra giratoria BSPP



F1 - F2 Gas cilindrico, BSPP, Gaz cylindrique, Zylinder Gagewinde, Gas cilindrica

* Dado spinato
 Thrust-wire nut

Codice Code Référence Bestell Nr. Código	Filetto Thread Filet Gewinde Rosca		Dimensioni Dimensions Dimensions Masszahlen Dimensiones				PN Bar
	F1	F2	CH1 mm	CH2 mm	L1 mm	L mm	
AMFDG0204	1/8"	1/4"	14	19	9.5	33.6	300
AMFDG0406	1/4"	3/8"	19	22	11	38.8	280
AMFDG0408	1/4"	1/2"	19	27	11	42.2	200
AMFDG0604	3/8"	1/4"	22	19	12.5	37.6	280
AMFDG0608	3/8"	1/2"	22	27	12.5	43.7	200
AMFDG0612	3/8"	3/4"	27	32	12.5	47.5	200
AMFDG0804	1/2"	1/4"	27	19	14	40.1	200
AMFDG0806	1/2"	3/8"	27	22	14	42.8	200
AMFDG0812	1/2"	3/4"	27	32	14	49	200
AMFDG1206	3/4"	3/8"	32	22	16	44.8	200
AMFDG1208	3/4"	1/2"	32	27	16	47.2	200
AMFDG1216	3/4"	1"	32	38	16	52.4	200
AMFDG1612	1"	3/4"	41	32	18	57.5	120
AMFDG1620	1"	1.1/4"	41	50	18	63.5	105
AMFDG2016	1.1/4"	1"	50	38	20.5	59.9	105
AMFDG2024	1.1/4"	1.1/2"	50	55	20.5	61.5	105
AMFDG2420	1.1/2"	1.1/4"	55	50	21	66.5	105
AMFDG2432*	1.1/2"	2"	55	70	21	75.3	70
AMFDG3224	2"	1.1/2"	70	55	25	78.5	70