

SPECIFICATION DATA

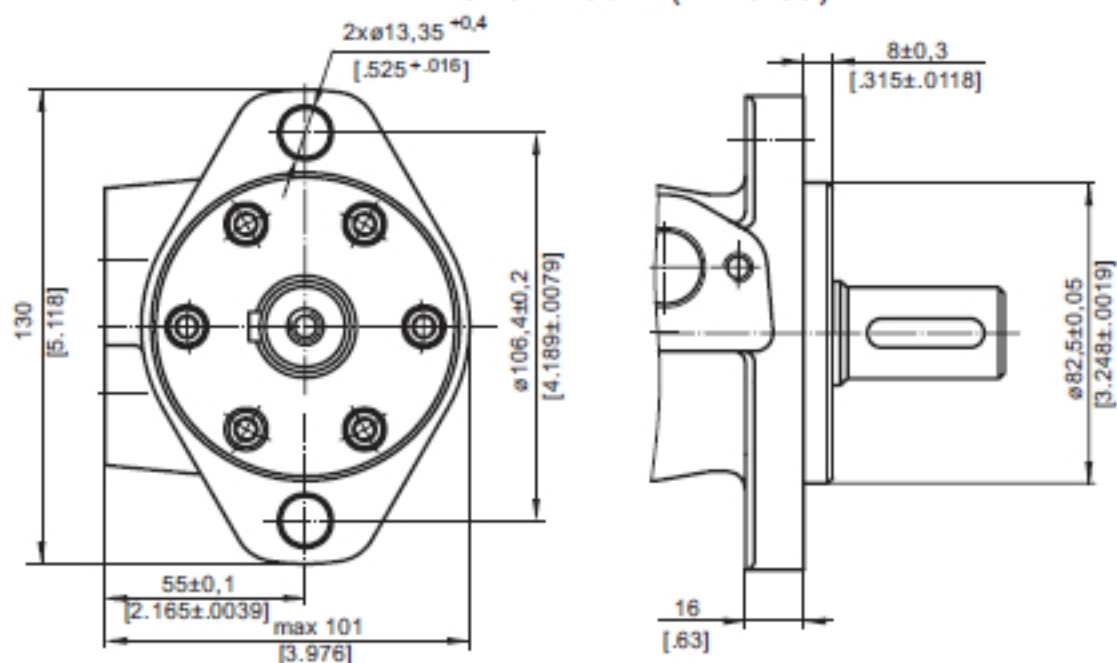
Type		MP 200
Displacement, cm ³ /rev [in ³ /rev]		198 [12.1]
Max. Speed, [RPM]	Cont.	303
	Int.*	378
Max. Torque daNm [lb-in]	Cont.	36,6 [3240]
	Int.*	45,6 [4035]
	Peak**	55 [4870]
Max. Output kW [HP]	Cont.	10 [13.5]
	Int.*	12 [16.1]
Max. Pressure Drop bar [PSI]	Cont.	140 [2030]
	Int.*	175 [2540]
	Peak**	225 [3260]
Max. Oil Flow lpm [GPM]	Cont.	60 [15.9]
	Int.*	75 [19.8]
Max. Inlet Pressure bar [PSI]	Cont.	175 [2540]
	Int.*	200 [2900]
	Peak**	225 [3260]
Max. Return Pressure with Drain Line bar [PSI]	Cont.	175 [2540]
	Int.*	200 [2900]
	Peak**	225 [3260]
Max. Starting Pressure with Unloaded Shaft, bar [PSI]		7 [100]
Min. Starting Torque daNm [lb-in]	At max.press. drop Cont.	33,5 [2950]
	At max.press. drop Int.*	42,6 [3770]
Min. Speed***, [RPM]		10
Weight, kg [lb]	MP(F)(N)	6,6 [14.6]
	MPW(N)	6,3 [13.9]
	MPQ(N)	6 [13.2]

C : 4xM8 - 13 mm [.51 in] depth
 P_(A,B) : 2xG1/2 or 2xM22x1,5 - 15 mm [.59 in] depth
 T : G1/4 or M14x1,5 - 12 mm [.47 in] depth (plugged)

Type	L, mm [in]
MP(F) 200	155,5 [6.12]

MOUNTING

Oval Mount (2 Holes)



FUNCTION DIAGRAMS

