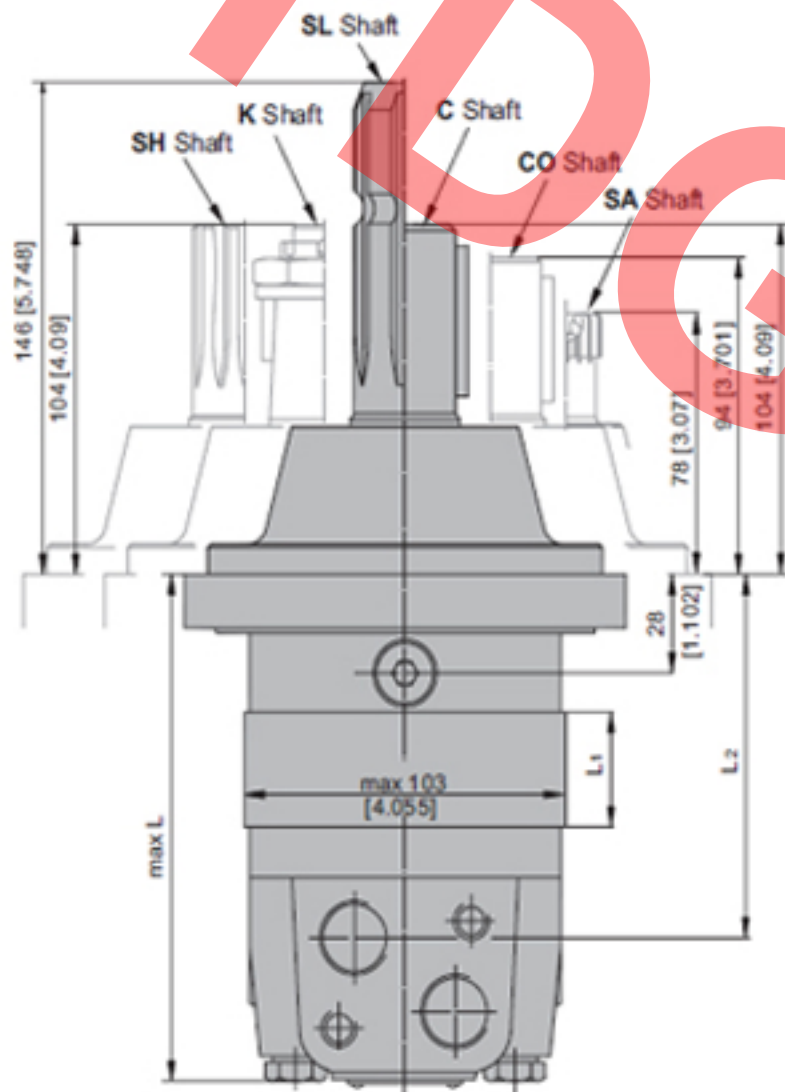
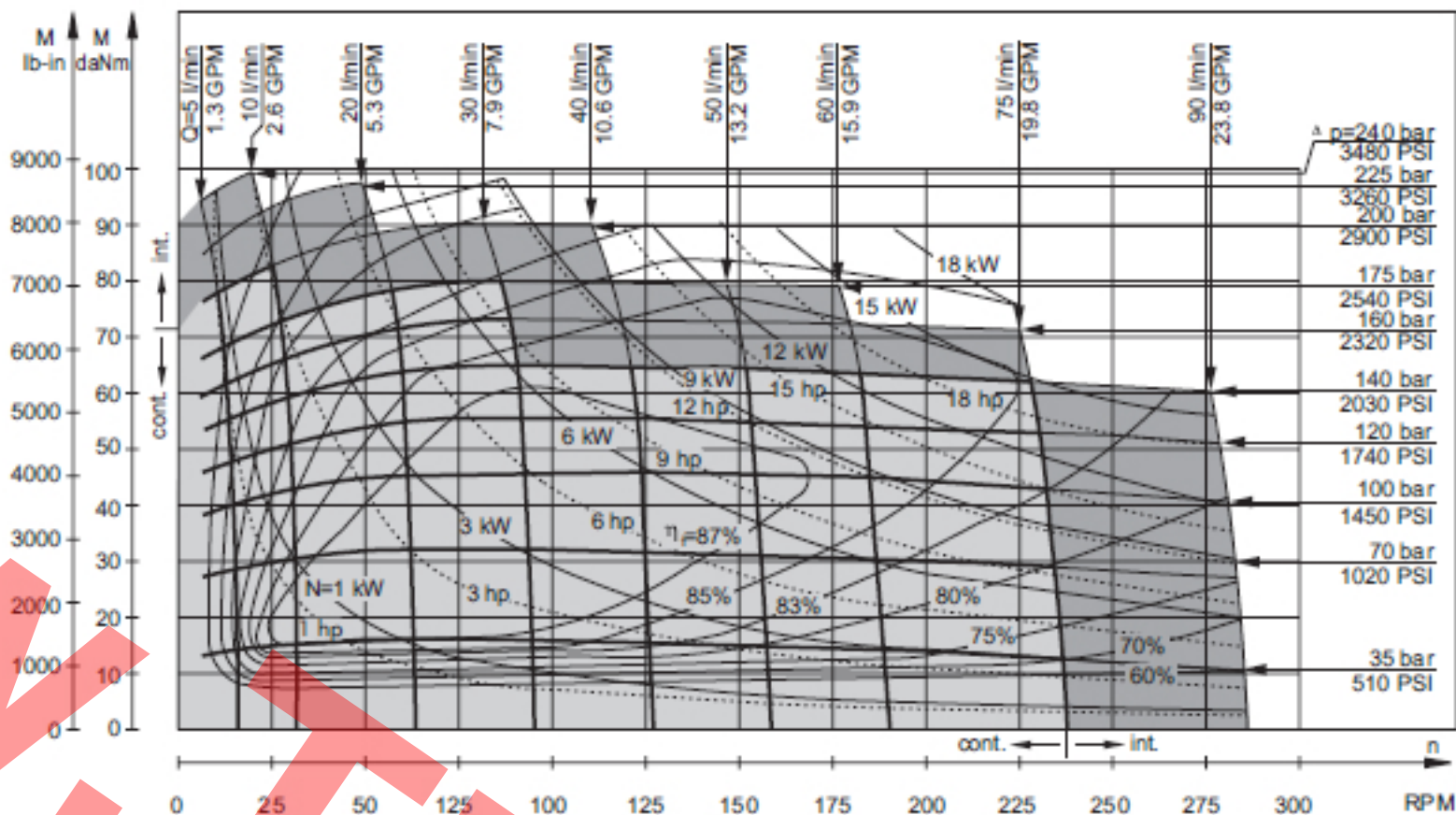
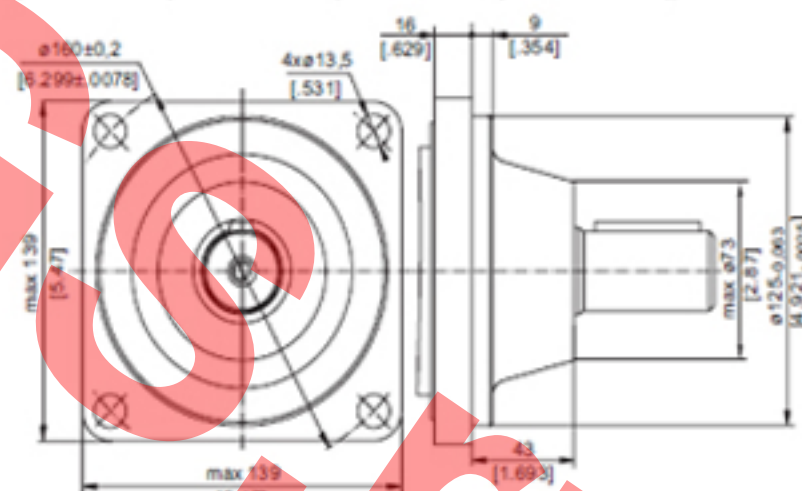


SPECIFICATION DATA

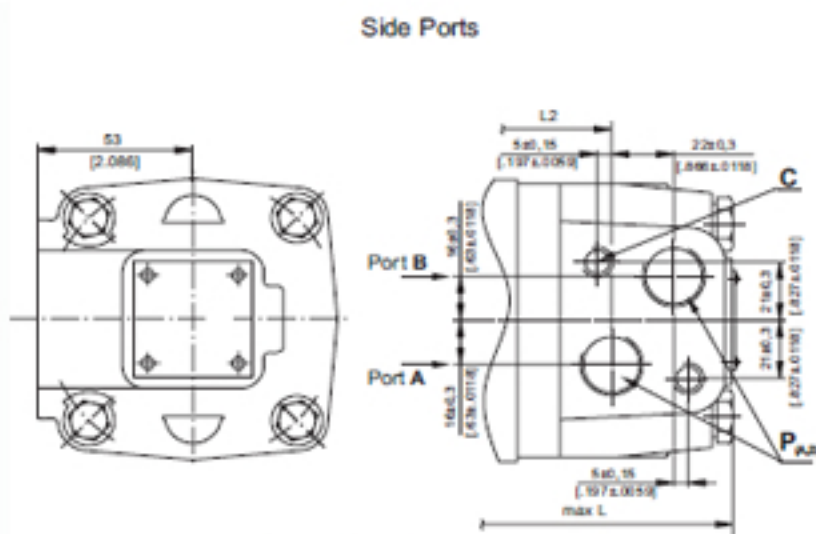
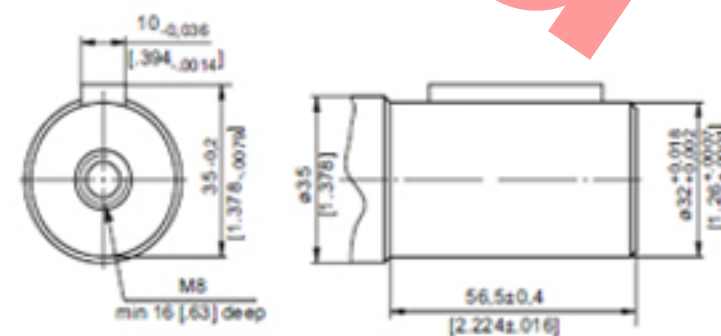
Type		315
Displacement, cm ³ /rev [in ³ /rev]		314,9 [19.2]
Max. Speed,	cont.	240
	[RPM]	290
Max. Torque	cont.	82,5 [7300]
	daNm [lb-in]	100 [8850]
Max. Output	cont.	15 [20.1]
	kW [HP]	17 [22.8]
Max. Pressure Drop	cont.	200 [2900]
	bar [PSI]	240 [3480]
	peak**	260 [3770]
Max. Oil Flow	cont.	75 [20]
	lpm [GPM]	90 [24]
Max. Inlet Pressure	cont.	230 [3340]
	bar [PSI]	295 [4280]
	peak**	300 [4350]
Max. Return Pressure with Drain Line	cont.	140 [2030]
	bar [PSI]	175 [2540]
	peak**	210 [3050]
Max. Starting Pressure with Unloaded Shaft, bar [PSI]		8 [115]
Min. Starting Torque	at max. press. drop cont.	71 [6280]
	daNm [lb-in]	at max. press. drop Int.* 85 [7520]
Min. Speed***, [RPM]		5
Weight, kg [lb]		
For Rear Ports		W 12,9 [28.4]
+ 0,40 [.88]		



Type	L, mm[in.]	L ₂ , in.[mm]	*L _ε , mm[in.]	L ₁ , mm[in.]
MSW 315	170 [6.69]	128 [5.04]	179 [7.05]	54,8 [2.16]



C - ø32 straight, Parallel key A10x8x45 DIN 6885
Max. Torque 77 daNm [6815 lb-in]



P_(A,B): 2xM22x1,5-15 mm [.59 in] depth
T: M14x1,5- 12 mm [.47 in] depth (plugged)