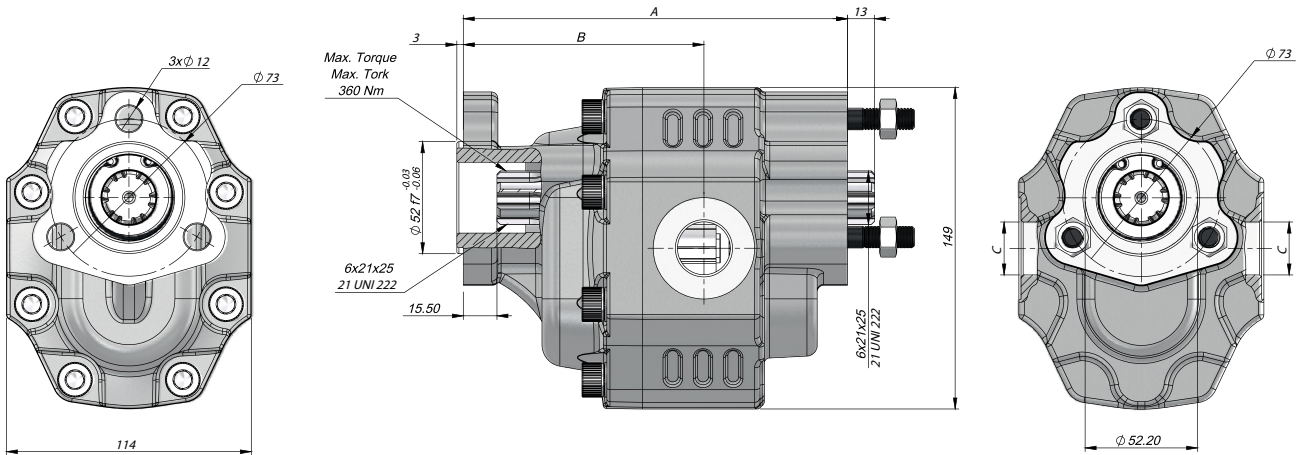


TEKNİK VERİLER | TECHNICAL DATA

3 DELİKLİ UNI TANDEM DİŞLİ POMPA | 3 HOLES UNI TANDEM GEAR PUMP

Giriş Basıncı Inlet Pressure		0.3÷ 2 bar	
Çalışma Viskozite Seviyesi Operating Viscosity Range		-12:100 cSt	
Sıvı Sıcaklığı Fluid Temperature		-40 °C+145 °C	
Çalışma Basıncı Working Pressure	Kirlilik Contamination		Filtre Filter
	NAS 1638	ISO 4406	$\beta_x=75$
≥200 bar	11	20/17	25 μ m
≤200 bar	12	21/18	40 μ m



Kod Code		İletim Hacmi Displacement	Maks.Sürekli Basınç Max.Continuous Pressure	Min. Hız Min.Speed	Maks.Sürekli Hız Max.Continuous Speed	A	B	Giriş Inlet	Çıkış Outlet
Sol / Left	Sağ / Right								
GT30017UF411	GT30017UF421	GT30017UF431	17	300	2600	161	102	G1/2"	G1/2"
GT30027UF411	GT30027UF421	GT30027UF431	27	290		167	105		
GT30034UF411	GT30034UF421	GT30034UF431	34	285	2300	172	107	G3/4"	G3/4"
GT30036UF411	GT30036UF421	GT30036UF431	36			173,5	118,5		
GT30038UF411	GT30038UF421	GT30038UF431	38	280	2100	174	118,5	G1"	G1"
GT30043UF411	GT30043UF421	GT30043UF431	43			176	111,5		
GT30051UF411	GT30051UF421	GT30051UF431	51	230	2000	183	113	G1 1/4"	G1 1/4"
GT30061UF411	GT30061UF421	GT30061UF431	61	225		191	117		
GT30073UF411	GT30073UF421	GT30073UF431	73	215	1800	196	125	G1"	G1"
GT30082UF411	GT30082UF421	GT30082UF431	82	200		202	124,5		
GT30100UF411	GT30100UF421	GT30100UF431	100	190	1600	215	138,5	G1 1/4"	G1 1/4"
GT30125UF411	GT30125UF421	GT30125UF431	125	170		231	142,5		

*The values in the table refer to unidirectional pumps. Reversible pump max pressures are 10% lower than those shown in table. For different working conditions please consult our sales department.