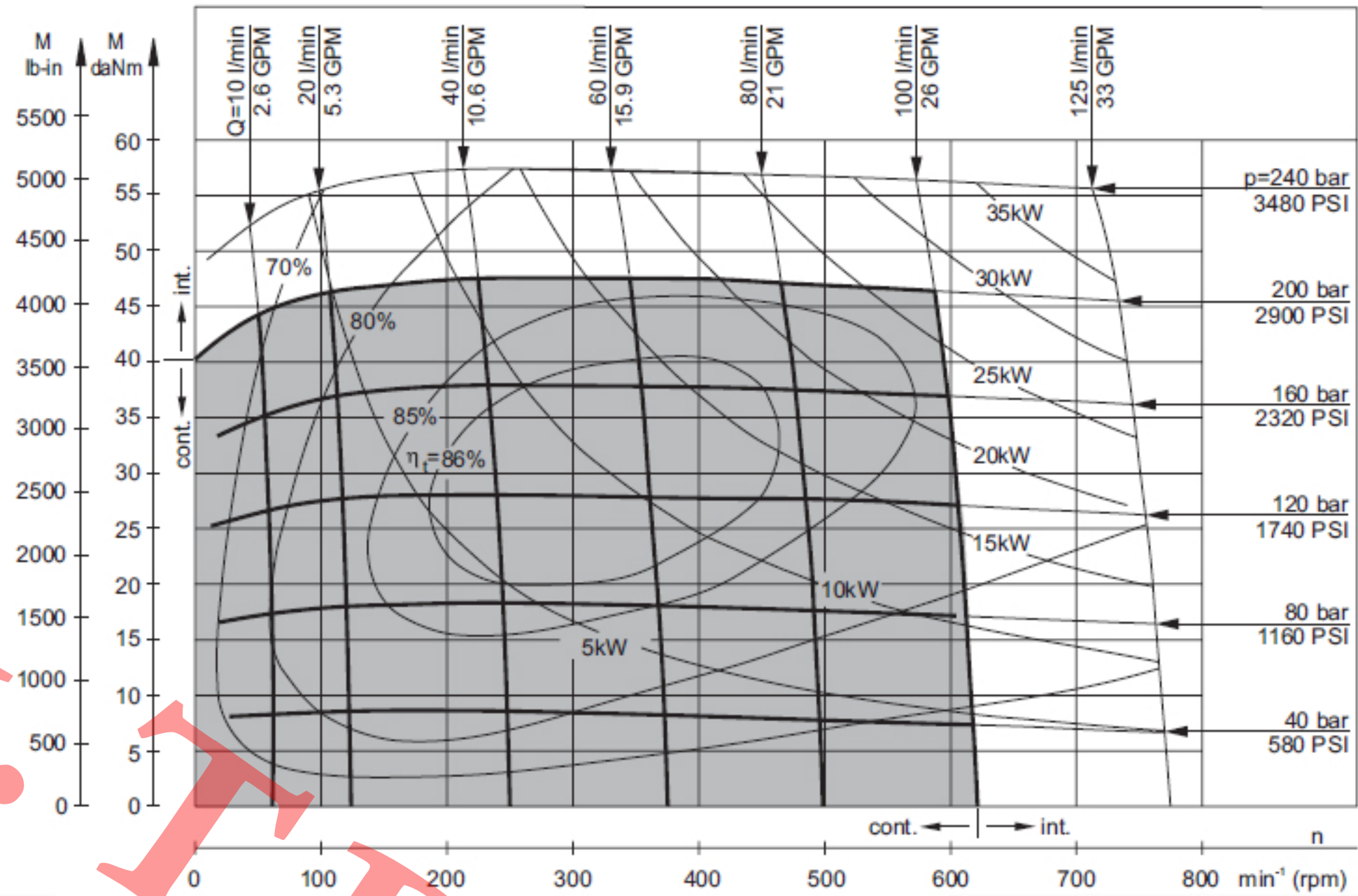


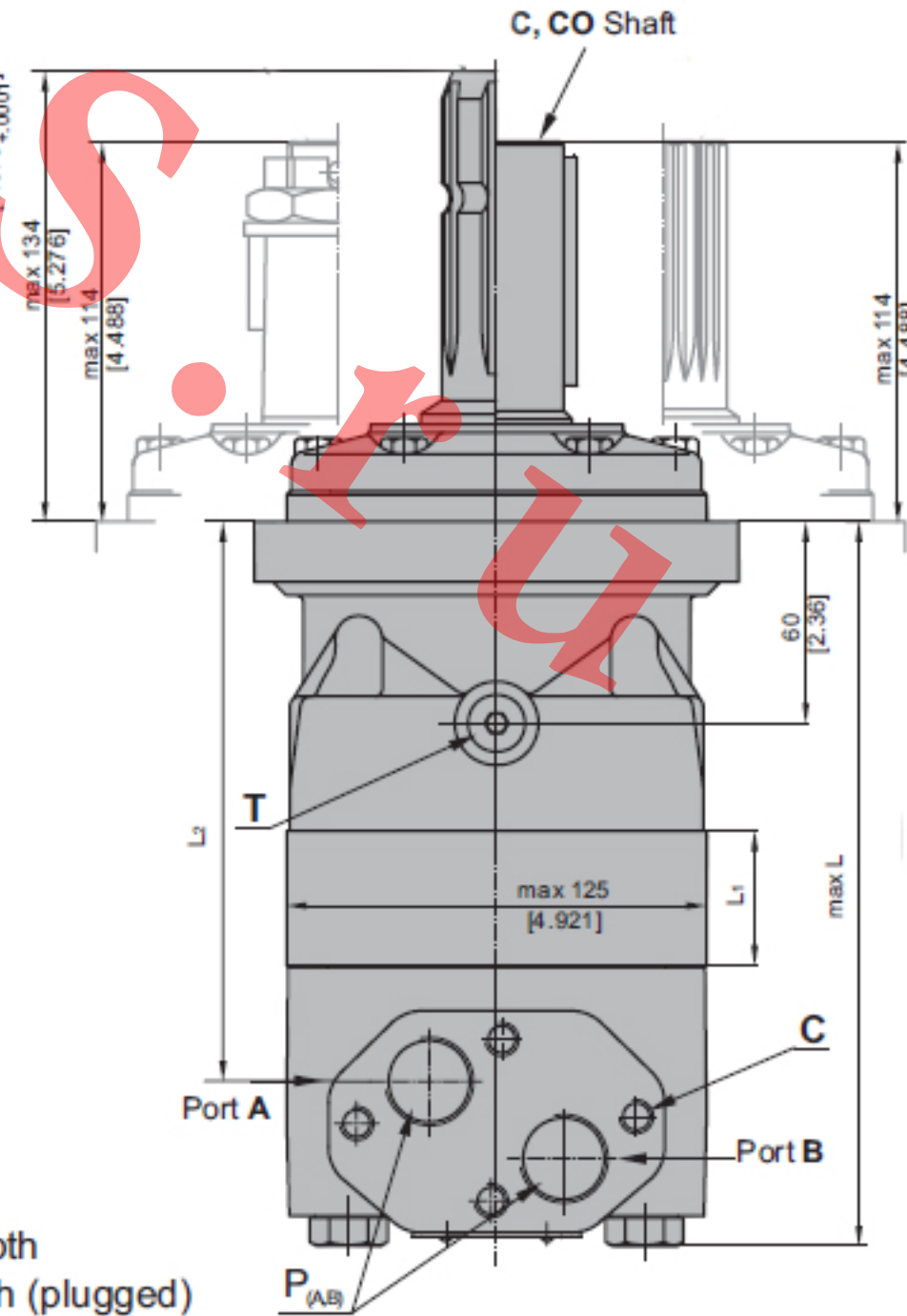
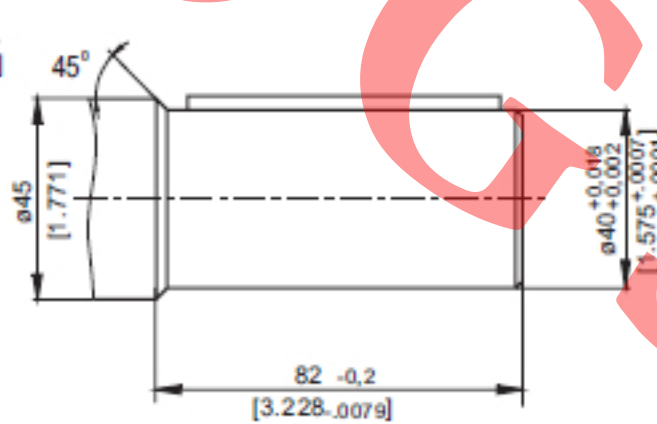
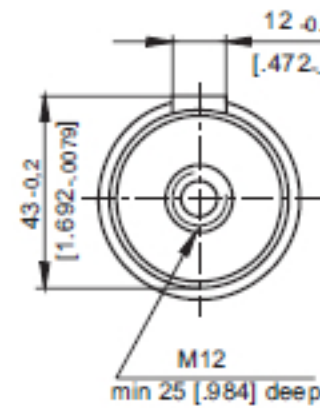
SPECIFICATION DATA

Type		MT 160
Displacement, cm ³ /rev [in ³ /rev]		161,1 [9.83]
Max. Speed, [RPM]	Cont.	622
	Int.*	775
Max. Torque daNm [lb-in]	Cont.	47 [4160]
	Int.*	56 [4960]
	Peak**	66 [5840]
Max. Output kW [HP]	Cont.	26,5 [36]
	Int.*	32 [43]
Max. Pressure Drop bar [PSI]	Cont.	200[2900]
	Int.*	240[3480]
	Peak**	280[4050]
Max. Oil Flow lpm [GPM]	Cont.	100 [26]
	Int.*	125[33]
Max. Inlet Pressure bar [PSI]	Cont.	210[3050]
	Int.*	250[3600]
	Peak**	300[4350]
Max. Return Pressure with Drain Line bar [PSI]	Cont.	140[2030]
	Int.*	175[2540]
	Peak**	210[3050]
Max. Starting Pressure with Unloaded Shaft, bar [PSI]		10 [150]
Min. Starting Torque daNm [lb-in]	At max. press. drop Cont.	34 [3010]
	At max. press. drop Int.*	41 [3630]
Min. Speed***, [RPM]		10
Weight, kg [lb]	MT	20 [44.1]
	MTW	22 [48.5]
	MTS	15 [33.1]
	MTV	11 [24.3]

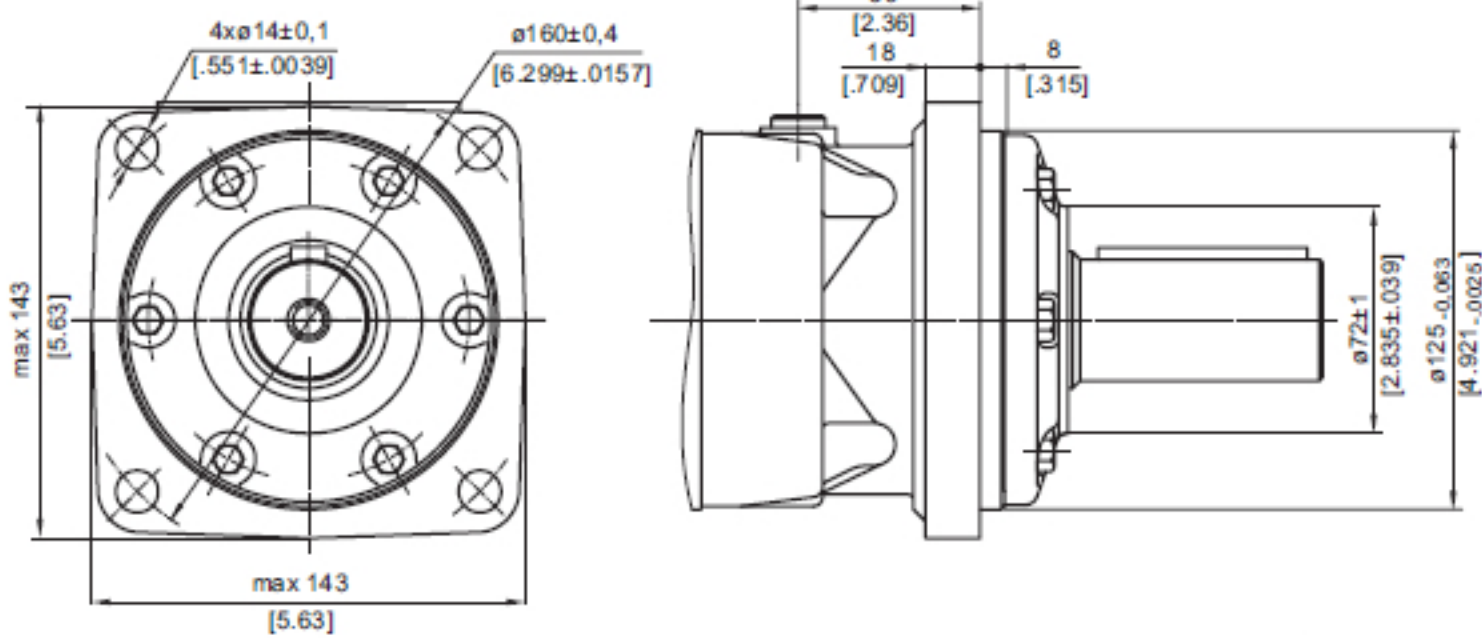


C -ø40 straight, Parallel key A12x8x70 DIN 6885
Max. Torque 132,8 daNm [11755 lb-in]

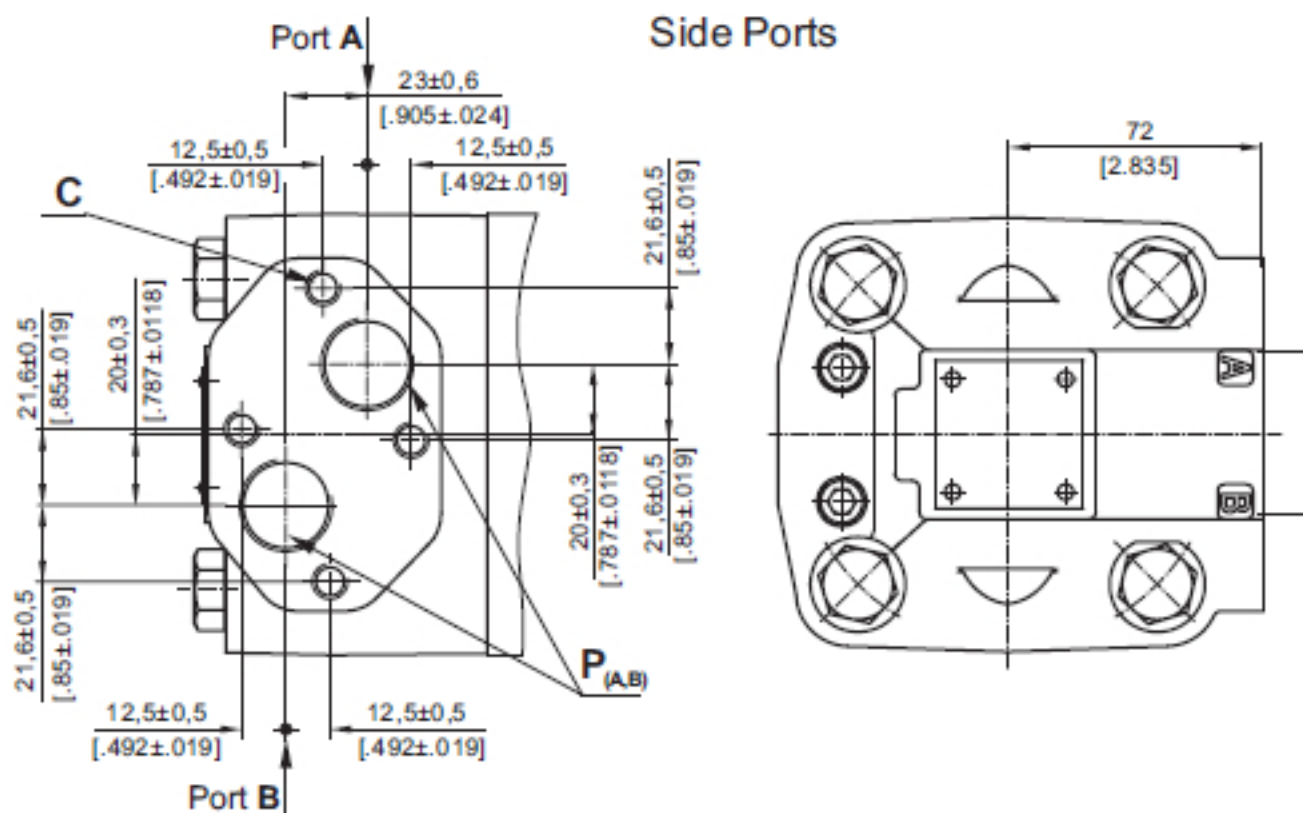
Type	L, mm [in]	L ₂ , mm [in]	**L _E , mm [in]
MT 160	190 [7.48]	140 [5.51]	200 [7.87]



Square Mount (4 Holes)



Side Ports



C: 4xM10-10 mm [.39 in] depth
P_(A,B): 2xG3/4 or 2xM27x2-17 mm [.67 in] depth
T: G 1/4 or M14x1,5 - 12 mm [.47 in] depth (plugged)

Standard Rotation
Viewed from Shaft End
Port A Pressurized - CW
Port B Pressurized - CCW

Reverse Rotation
Viewed from Shaft End
Port A Pressurized - CCW
Port B Pressurized - CW