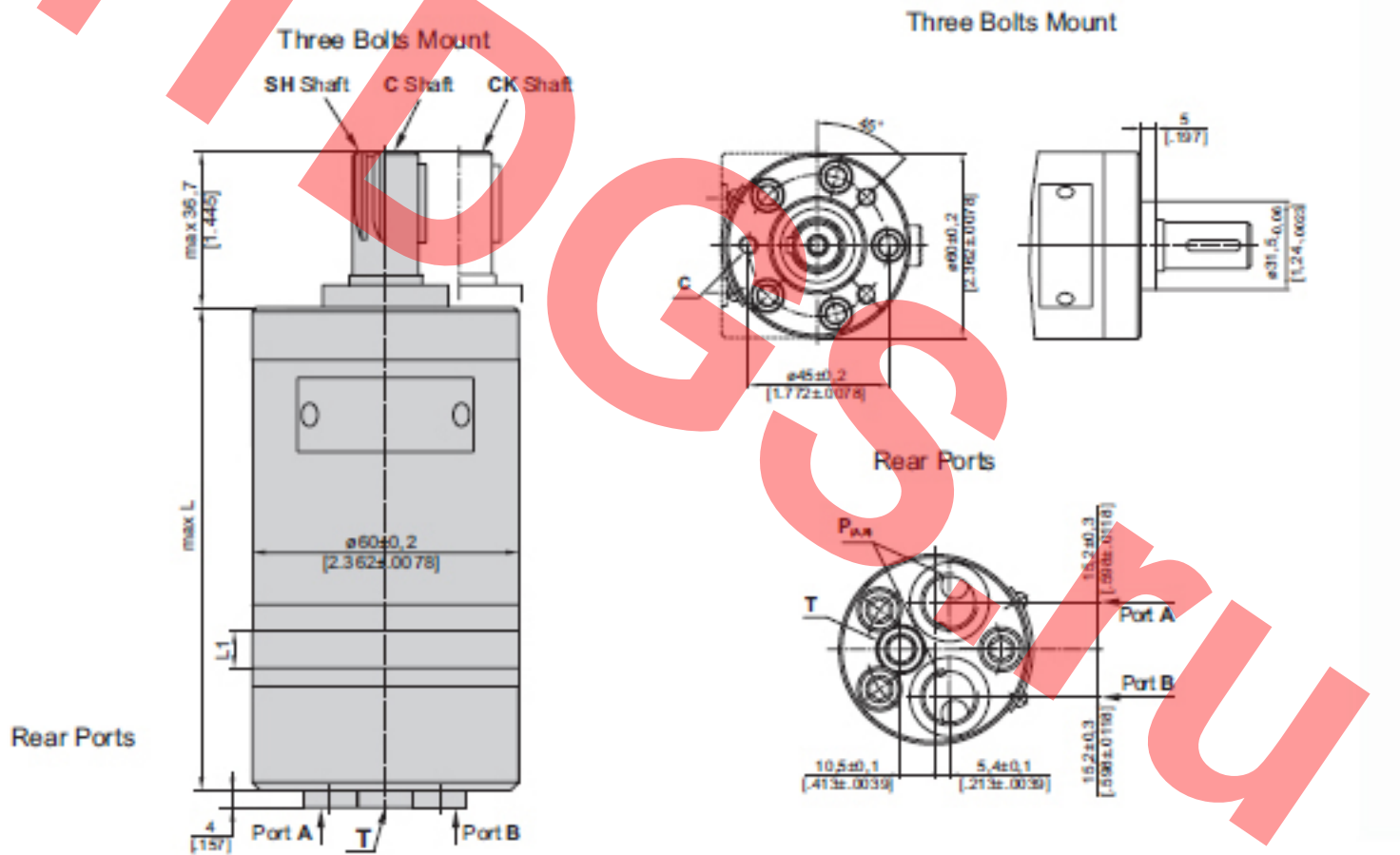
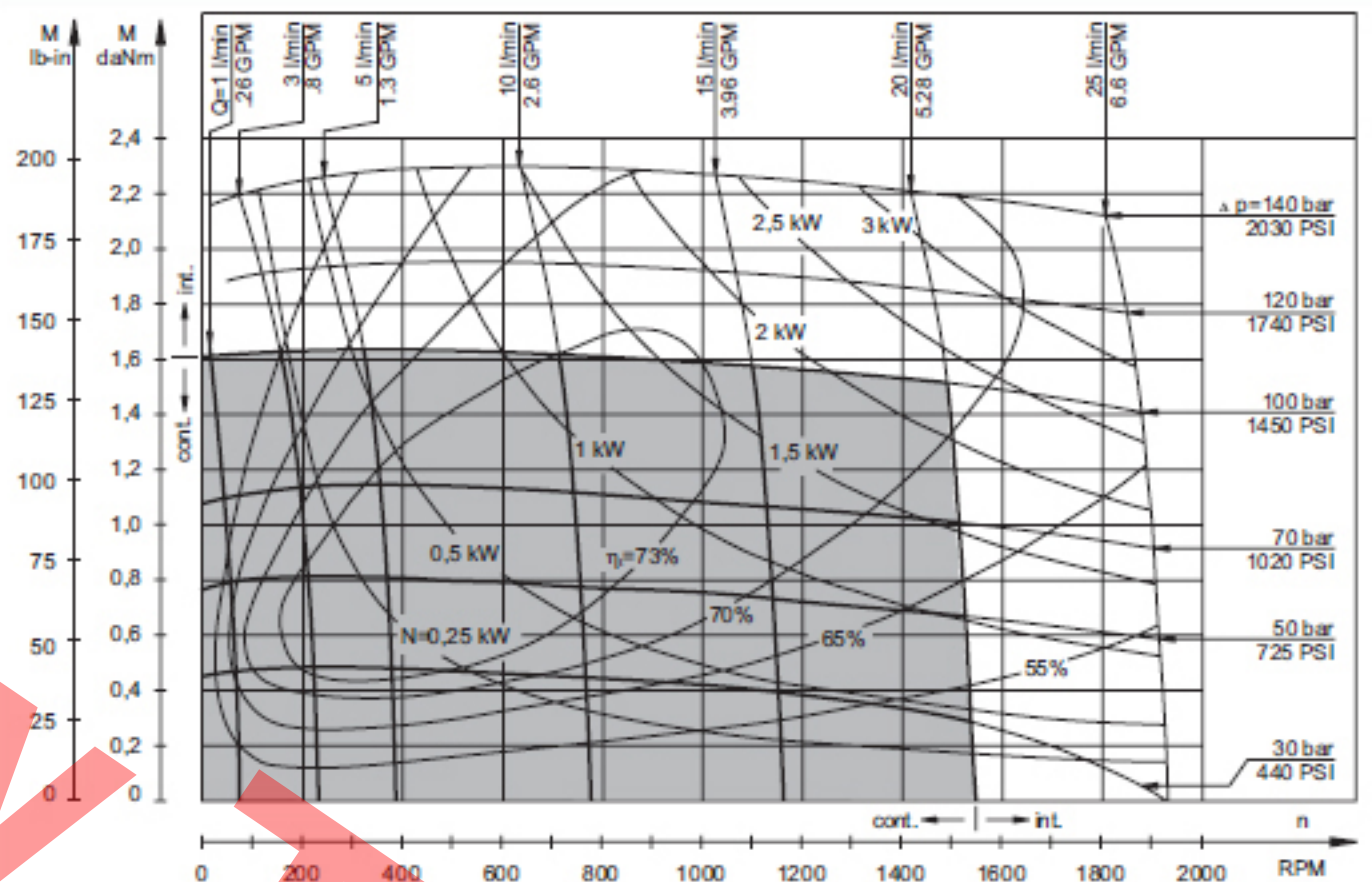


SPECIFICATION DATA

Type		MM 12.5
Displacement, cm ³ /rev [in ³ /rev]		12,9 [.79]
Max. Speed, [RPM]	Cont.	1550
	Int.*	1940
Max. Torque daNm [lb-in]	Cont.	1,6 [150]
	Int.*	2,3 [205]
Max. Output kW [HP]	Cont.	2,4 [3.3]
	Int.*	3,2 [4.3]
Max. Pressure Drop bar [PSI]	Cont.	105 [1500]
	Int.*	140 [2030]
Max. Oil Flow lpm [GPM]	Cont.	20 [5.5]
	Int.*	25 [6.6]
Max. Inlet Pressure bar [PSI]	Cont.	140 [2030]
	Int.*	175 [2540]
Max. Return Pressure without Drain Line or Max. Pressure in Drain Line, bar [PSI]	Cont. 0-100 RPM	140 [2030]
	Cont. 100-400 RPM	105 [1500]
Max. Return Pressure with Drain Line bar [PSI]	Cont. 400-800 RPM	50 [725]
	Cont. >800 RPM	20 [290]
Max. Starting Pressure with Unloaded Shaft, bar [PSI]	Int.* 0-max. RPM	140 [2030]
	Cont.	140 [2030]
Min. Starting Torque daNm [lb-in]	Int.*	175 [2540]
	Peak**	225 [3260]
Min. Speed**, [RPM]	Cont.	4
	Peak**	225 [3260]
Weight, kg [lb]	MM	2,0 [4.41]
	MMF(S)	2,1 [4.63]
For "F" flange: + 0,200 [.441]	MMP	2,3 [5.07]
	MMD	2,7 [5.95]



$P_{(A,B)}$: 2xG3/8 or 2xM18x1,5 - 12 mm [.47 in] depth
 T : G1/8 or M10x1 - 10 mm [.39 in] depth

C - $\phi 16$ straight, Parallel key 5x5x16 DIN 6885
 Max. Torque 3,9 daNm [345 lb-in]

Type	L, mm [in.]	L ₁ , mm [in.]
MM 12,5	106 [4.173]	5,5 [.217]

