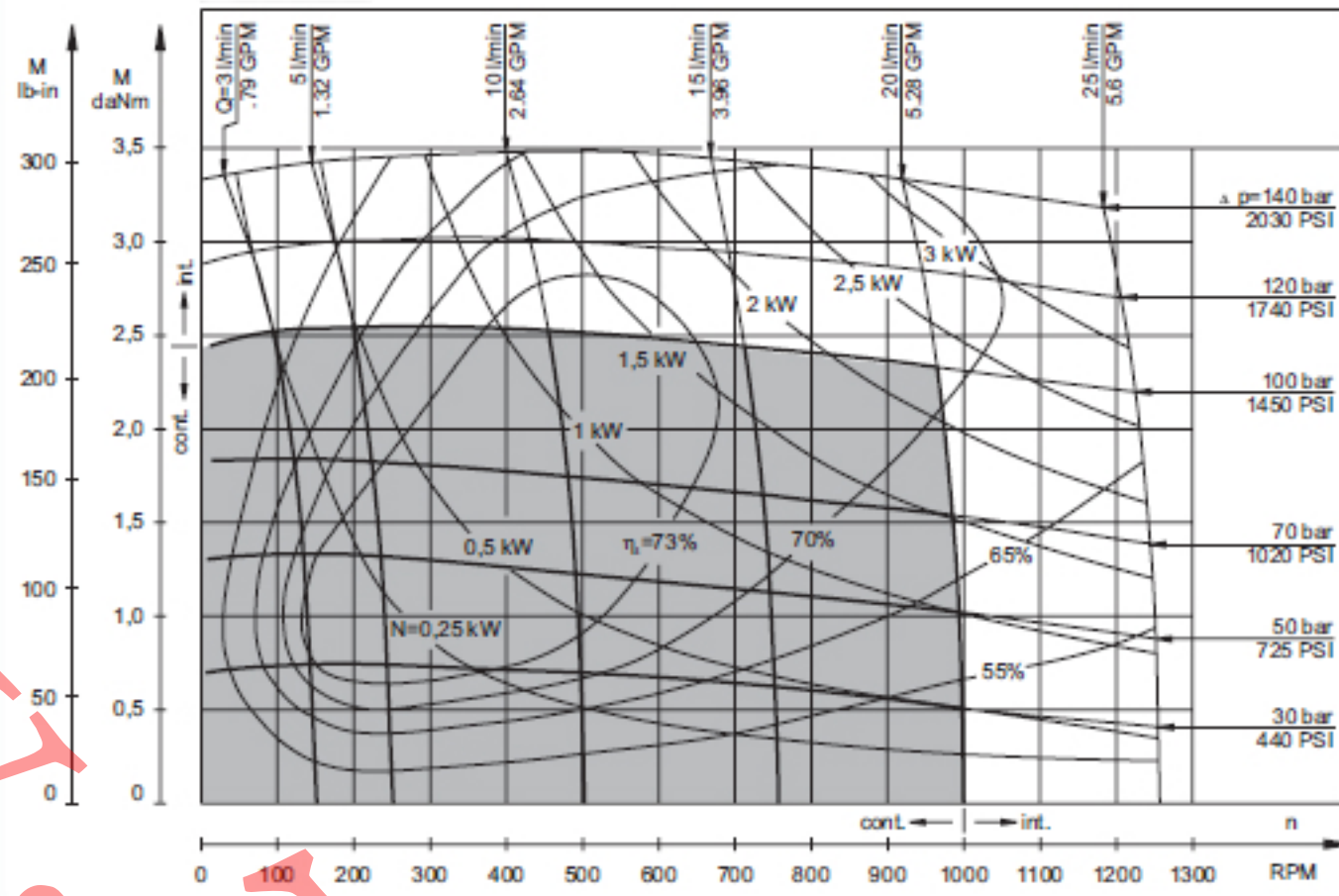


SPECIFICATION DATA

Type		20
Displacement, cm ³ /rev [in ³ /rev]		20 [1.22]
Max. Speed, [RPM]	Cont.	1000
	Int.*	1250
Max. Torque daNm [lb-in]	Cont.	2,5 [230]
	Int.*	3,5 [311]
	Peak**	5,1 [453]
Max. Output kW [HP]	Cont.	2,4 [3.3]
	Int.*	3,2 [4.3]
Max. Pressure Drop bar [PSI]	Cont.	105 [1500]
	Int.*	140 [2030]
	Peak**	200 [2900]
Max. Oil Flow lpm [GPM]	Cont.	20 [5.5]
	Int.*	25 [6.6]
Max. Inlet Pressure bar [PSI]	Cont.	140 [2030]
	Int.*	175 [2540]
	Peak**	225 [3260]
Max. Return Pressure without Drain Line or Max. Pressure in Drain Line, bar [PSI]	Cont. 0-100 RPM	140 [2030]
	Cont. 100-400 RPM	105 [1500]
Max. Return Pressure with Drain Line bar [PSI]	Cont. 400-800 RPM	50 [725]
	Cont. >800 RPM	20 [290]
Max. Starting Pressure with Unloaded Shaft, bar [PSI]	Int.* 0-max. RPM	140 [2030]
	Cont.	140 [2030]
Min. Starting Torque daNm [lb-in]	At max. press. drop Cont.	2,1 [190]
	At max. press. drop Int.*	2,9 [260]
Min. Speed**, [RPM]		30
Weight, kg [lb]		
For "F" flange: + 0,200 [.441]		

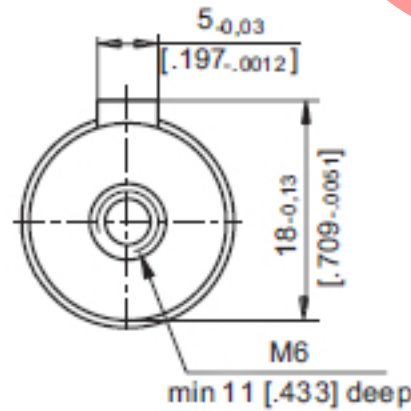
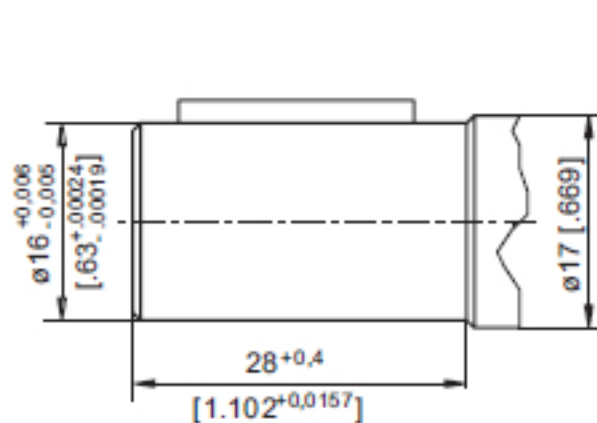
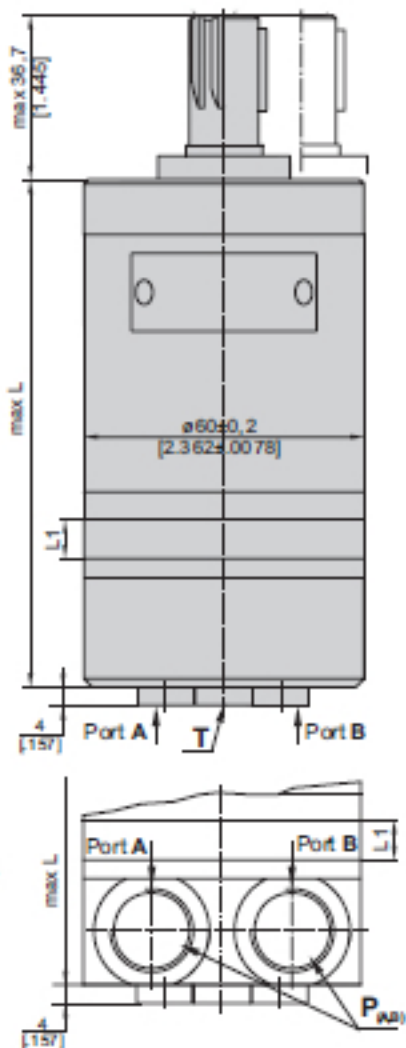
FUNCTION DIAGRAMS



DIMENSIONS AND MOUNTING DATA

Three Bolts Mount

Ø16 straight, Parallel key 5x5x16 DIN 6885
Max. Torque 3,9 daNm [345 lb-in]



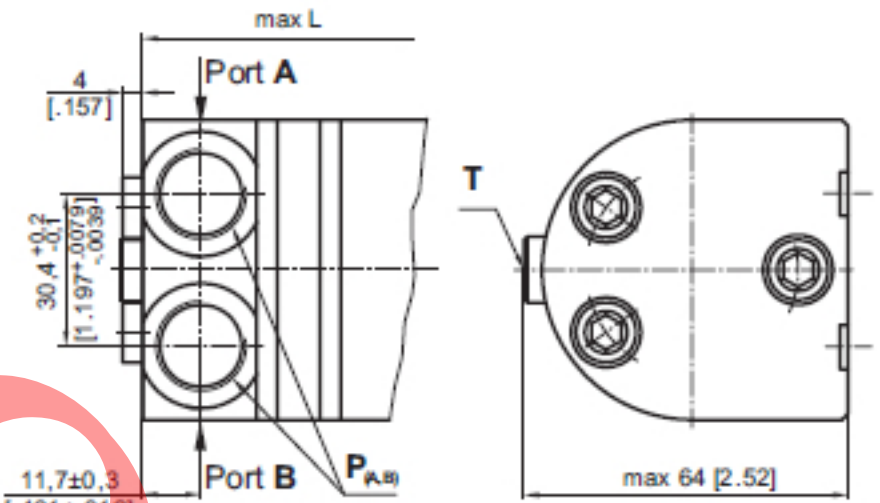
Standard Rotation
Viewed from Shaft End
Port A Pressurized - CW
Port B Pressurized - CCW

Reverse Rotation
Viewed from Shaft End
Port A Pressurized - CCW
Port B Pressurized - CW

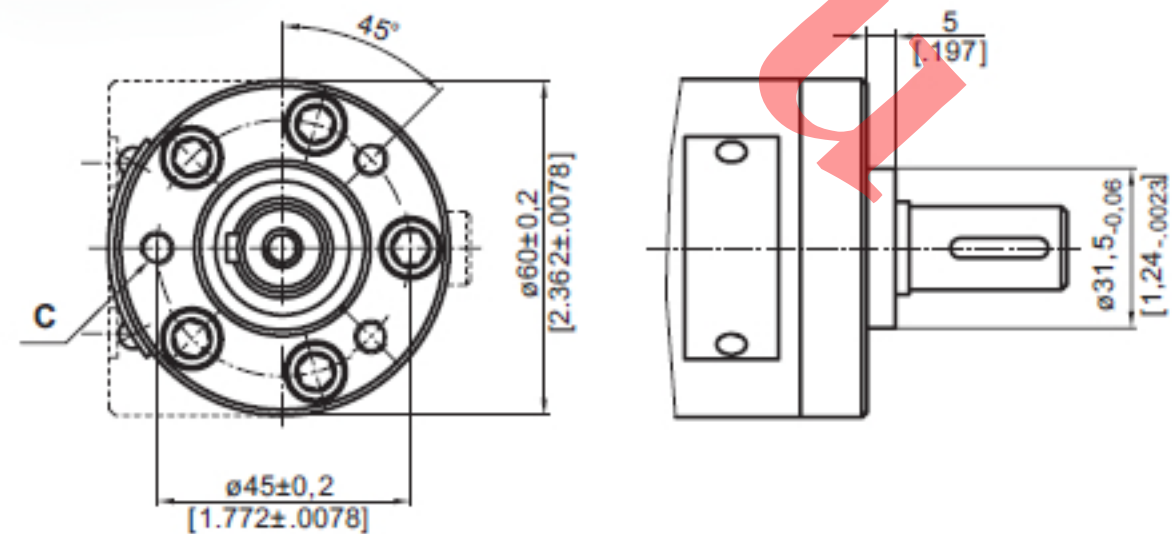
P_(A,B): 2xG3/8 or 2xM18x1,5 - 12 mm [.47 in] depth
T: G1/8 or M10x1 - 10 mm [.39 in] depth

Type	L, mm [in.]	L ₁ , mm [in.]
20	110 [4.331]	8,5 [3.35]

Side Ports



Three Bolts Mount



Side Ports