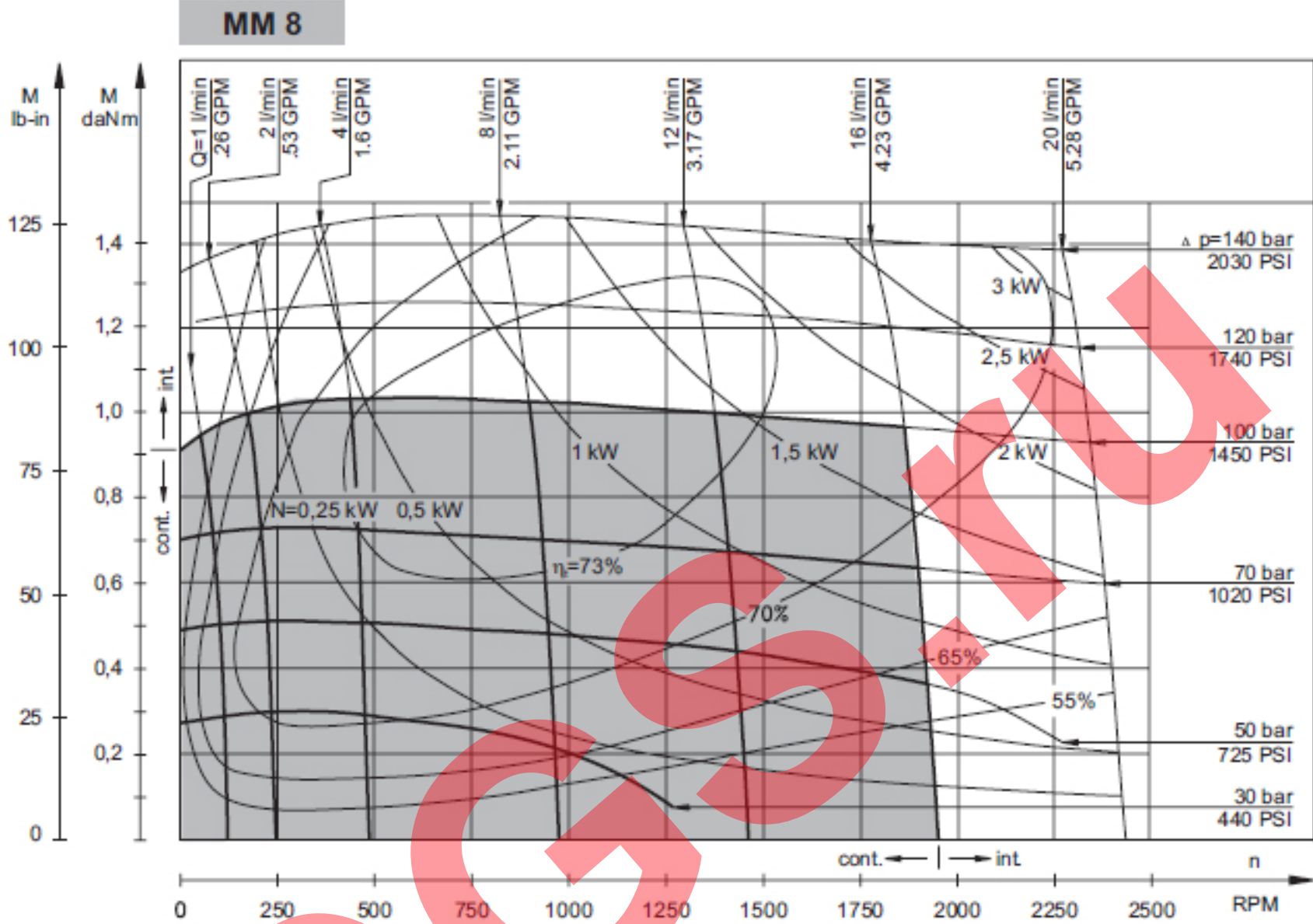


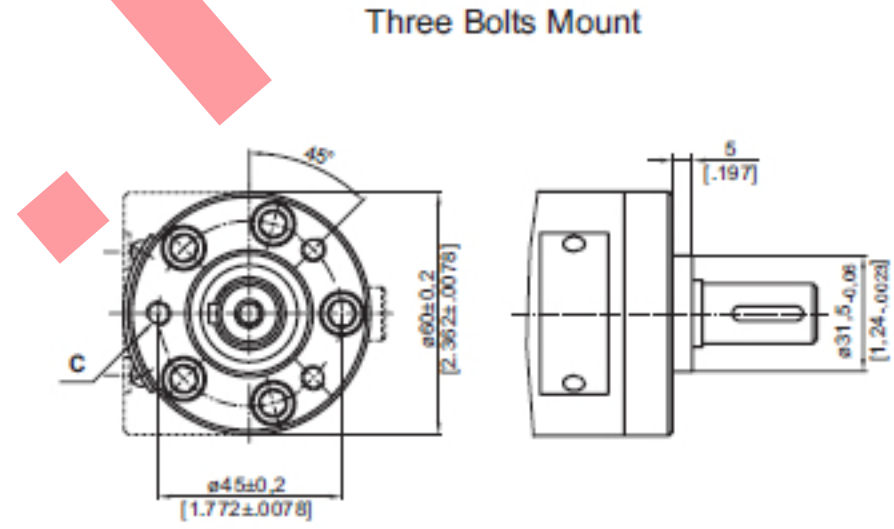
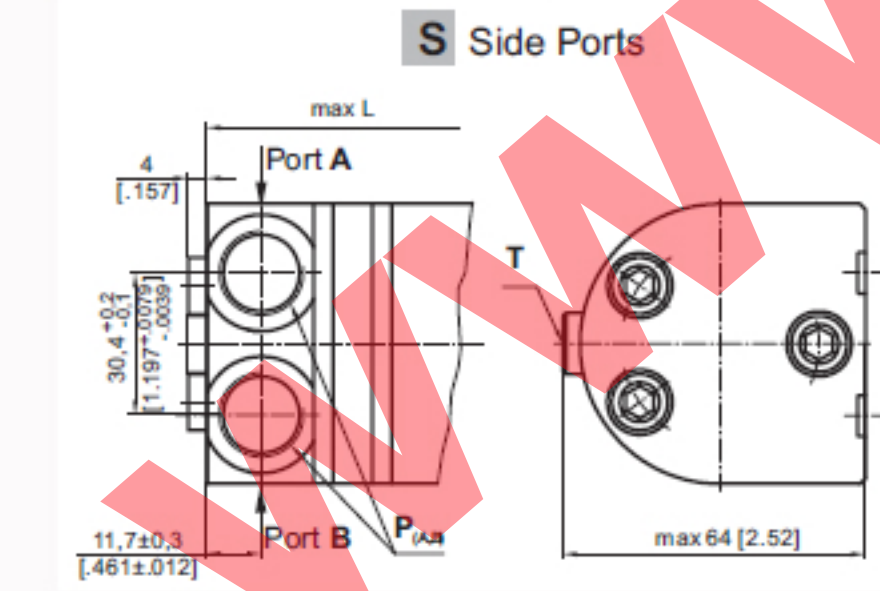
**SPECIFICATION DATA**

Type		MM 8
Displacement, cm <sup>3</sup> /rev [in <sup>3</sup> /rev]		8,2 [1.5]
Max. Speed, [RPM]	Cont.	1950
	Int.*	2440
Max. Torque daNm [lb-in]	Cont.	1,1 [106]
	Int.*	1,5 [133]
	Peak**	2,1 [187]
Max. Output kW [HP]	Cont.	1,8 [2.4]
	Int.*	2,6 [3.6]
Max. Pressure Drop bar [PSI]	Cont.	105 [1500]
	Int.*	140 [2030]
	Peak**	200 [2900]
Max. Oil Flow lpm [GPM]	Cont.	16 [4.2]
	Int.*	20 [5.5]
Max. Inlet Pressure bar [PSI]	Cont.	140 [2030]
	Int.*	175 [2540]
	Peak**	225 [3260]
Max. Return Pressure without Drain Line or Max. Pressure in Drain Line, bar [PSI]	Cont. 0-100 RPM	140 [2030]
	Cont. 100-400 RPM	105 [1500]
	Cont. 400-800 RPM	50 [725]
	Cont. >800 RPM	20 [290]
	Int.* 0-max. RPM	140 [2030]
Max. Return Pressure with Drain Line bar [PSI]	Cont.	140 [2030]
	Int.*	175 [2540]
Max. Starting Pressure with Unloaded Shaft, bar [PSI]	Cont.	4 [60]
	Peak**	225 [3260]
Min. Starting Torque daNm [lb-in]	At max. press. drop Cont.	0,7 [65]
	At max. press. drop Int.*	1,0 [90]
Min. Speed***, [RPM]		50
Weight, kg [lb]	MM	1,9 [4.2]
	MMF(S)	2,0 [4.41]
	MMP	2,2 [4.85]
	MMD	2,6 [5.73]
For "F" flange: + 0,200 [441]		

**FUNCTION DIAGRAMS**



Type	L, mm [in.]
MM 8	104 [4.094]



**C - ø16 straight, Parallel key 5x5x16 DIN 6885  
Max. Torque 3,9 daNm [345 lb-in]**

