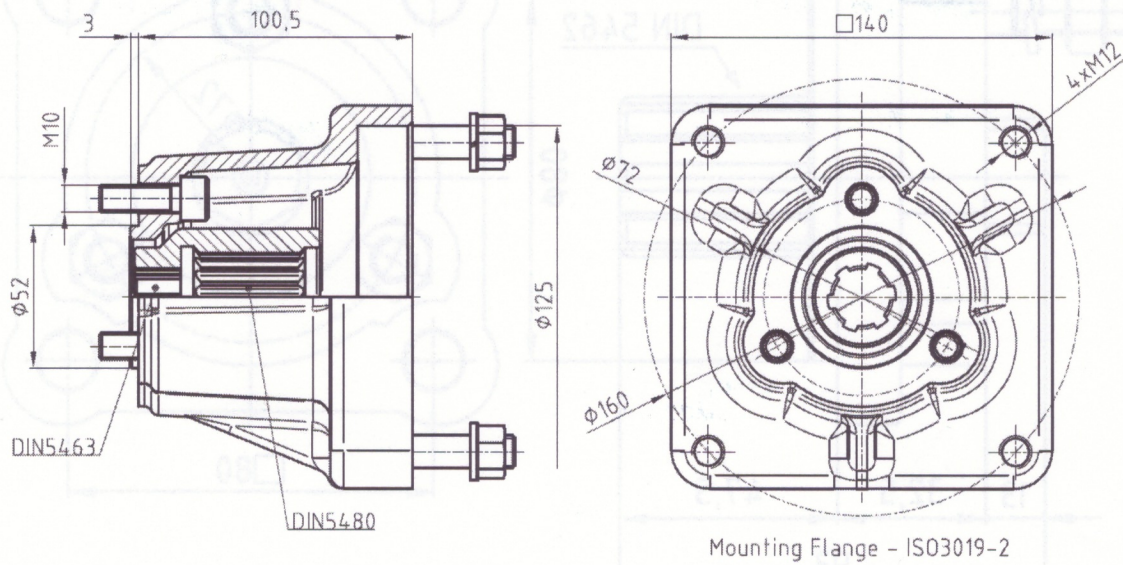




Main Dimensions



(Dimensions in mm)

CTI ADAUNIISO 0905 - 0

ABER is constantly engaged in improving its products and, therefore, reserves itself the right to modify without any further notice the characteristics shown

