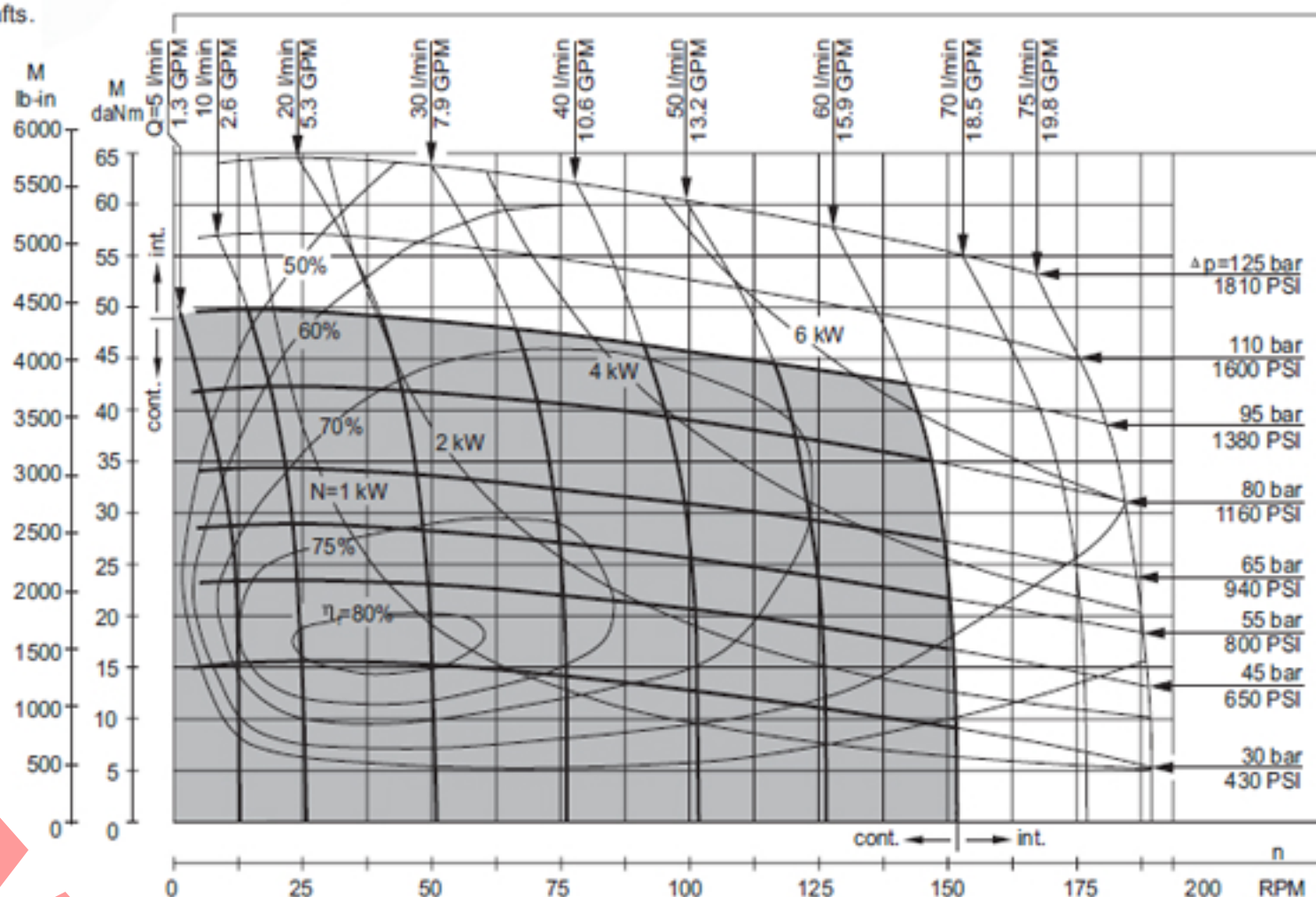


**SPECIFICATION DATA**

**MP 400**

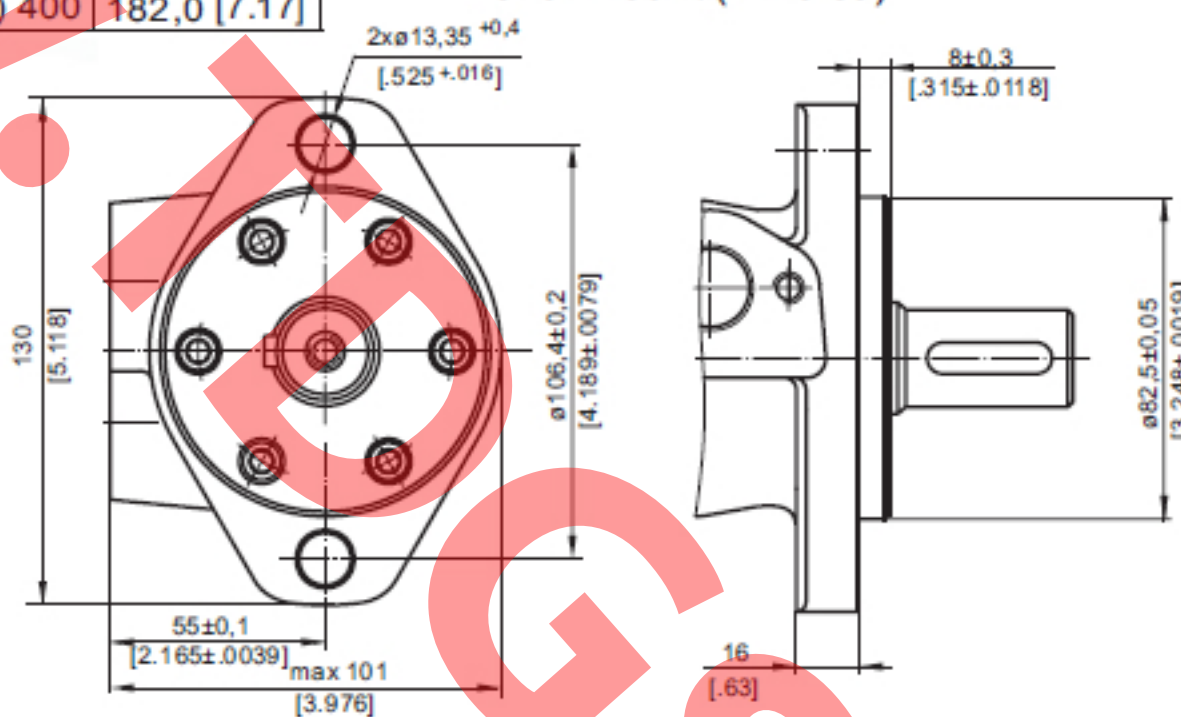
Specification Data for MP... motors with C, CO, SH, K and SA shafts.  
(ø28,56 sealing diameter)

Type		MP 400
Displacement, cm <sup>3</sup> /rev [in <sup>3</sup> /rev]		396 [24.16]
Max. Speed, [RPM]	Cont.	150
	Int.*	189
Max. Torque daNm [lb-in]	Cont.	36 [3190]
	Int.*	59 [5240]
	Peak**	85,4 [7560]
Max. Output kW [HP]	Cont.	4,6 [6.2]
	Int.*	7,8 [10.5]
Max. Pressure Drop bar [PSI]	Cont.	70 [1015]
	Int.*	115 [1665]
	Peak**	180 [2610]
Max. Oil Flow lpm [GPM]	Cont.	60 [15.9]
	Int.*	75 [19.8]
Max. Inlet Pressure bar [PSI]	Cont.	175 [2540]
	Int.*	200 [2900]
	Peak**	225 [3260]
Max. Return Pressure with Drain Line bar [PSI]	Cont.	175 [2540]
	Int.*	200 [2900]
	Peak**	225 [3260]
Max. Starting Pressure with Unloaded Shaft, bar [PSI]		5 [73]
Min. Starting Torque daNm [lb-in]	At max.press. drop Cont.	34,5 [3050]
	At max.press. drop Int.*	60,8 [5390]
Min. Speed***, [RPM]		10
Weight, kg [lb]	MP(F)(N)	7,6 [16.8]
	MPW(N)	7,2 [15.9]
	MPQ(N)	6,8 [15]

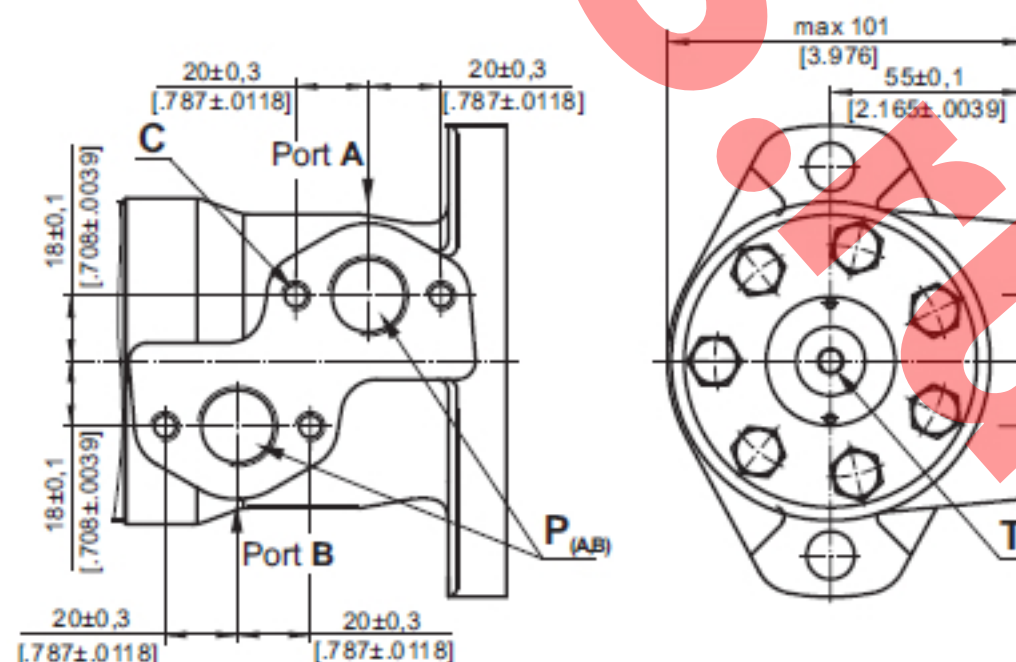


Type	L, mm [in]
MP(F) 400	182,0 [7.17]

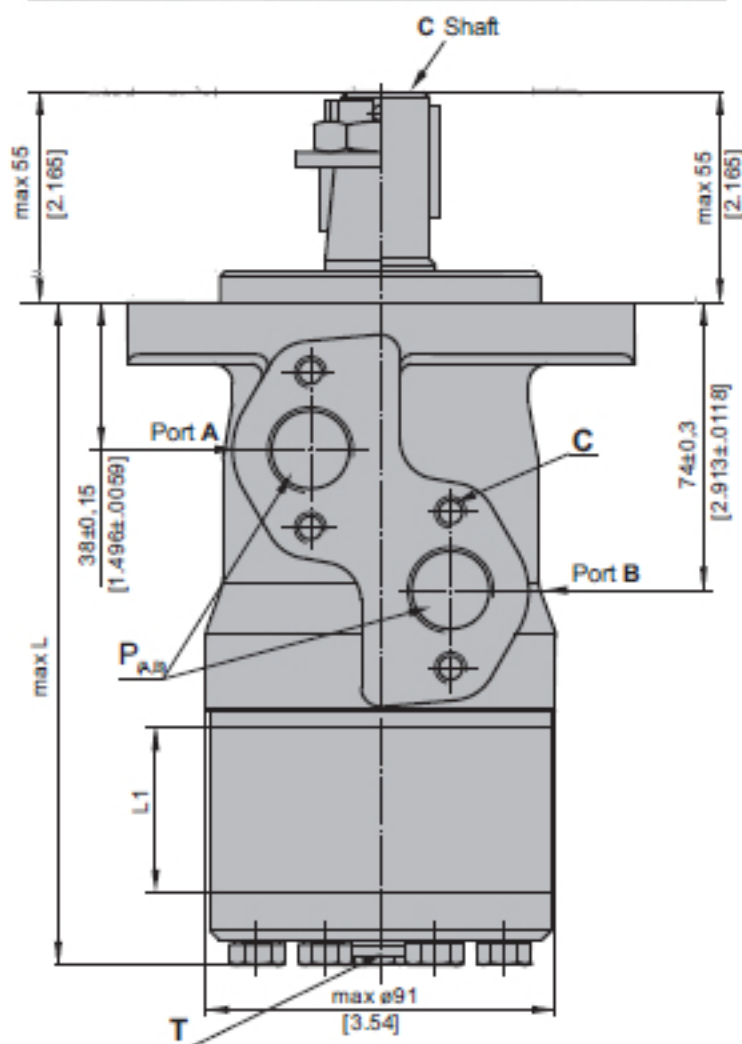
**Oval Mount (2 Holes)**



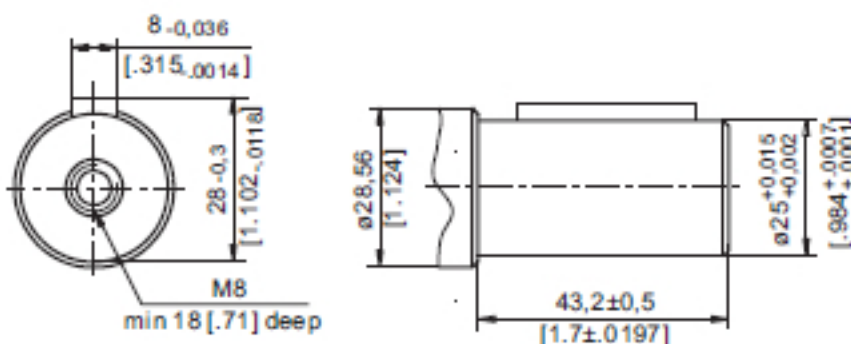
**Side Ports**



**DIMENSIONS AND MOUNTING DATA**



**C** - ø25 straight, Parallel key A8x7x32 DIN 6885  
Max. Torque 34 daNm [3010 lb-in]



- C** : 4xM8 - 13 mm [.51 in] depth
- P<sub>(A,B)</sub>** : 2xG1/2 or 2xM22x1,5 - 15 mm [.59 in] depth
- T** : G1/4 or M14x1,5 - 12 mm [.47 in] depth (plugged)