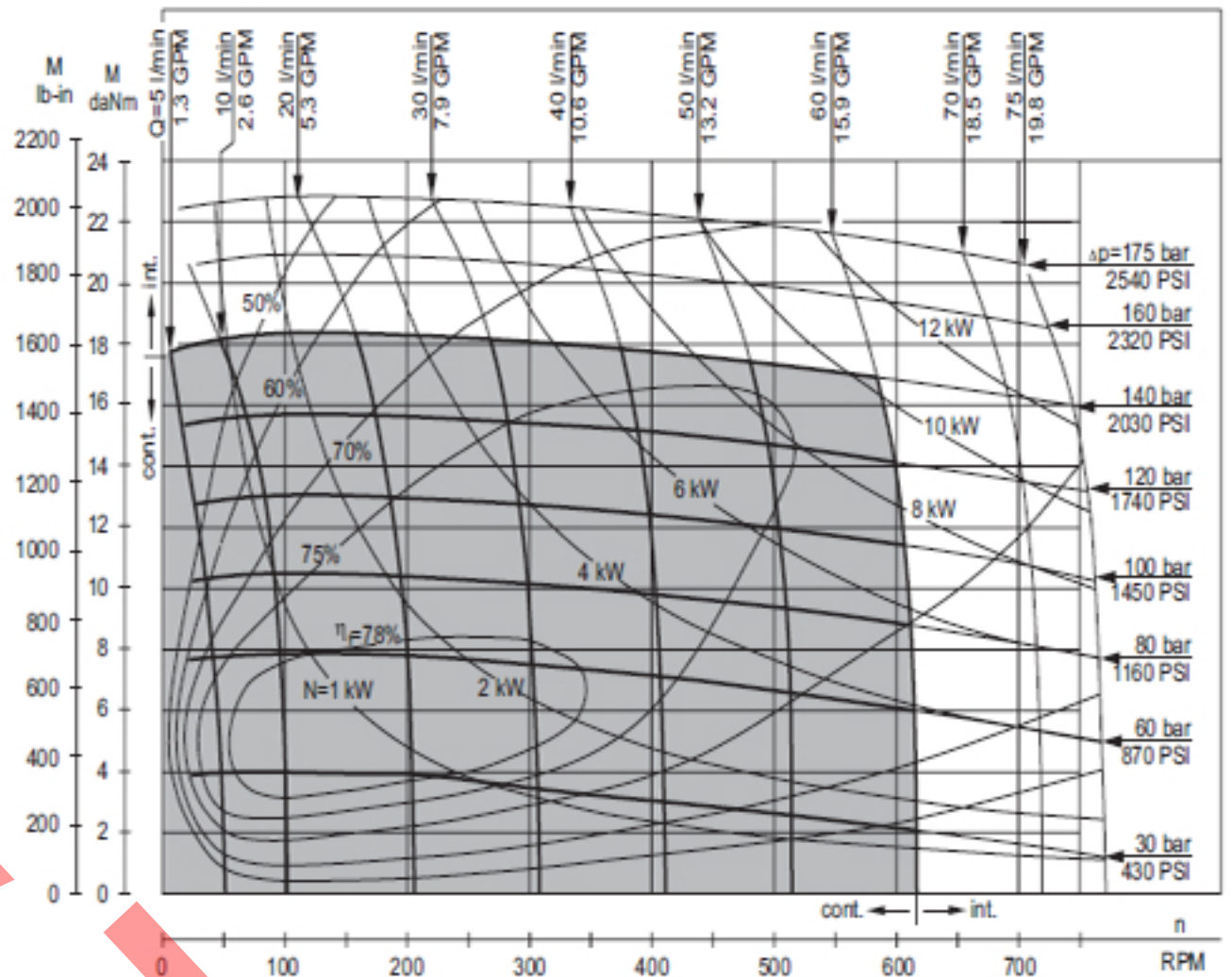


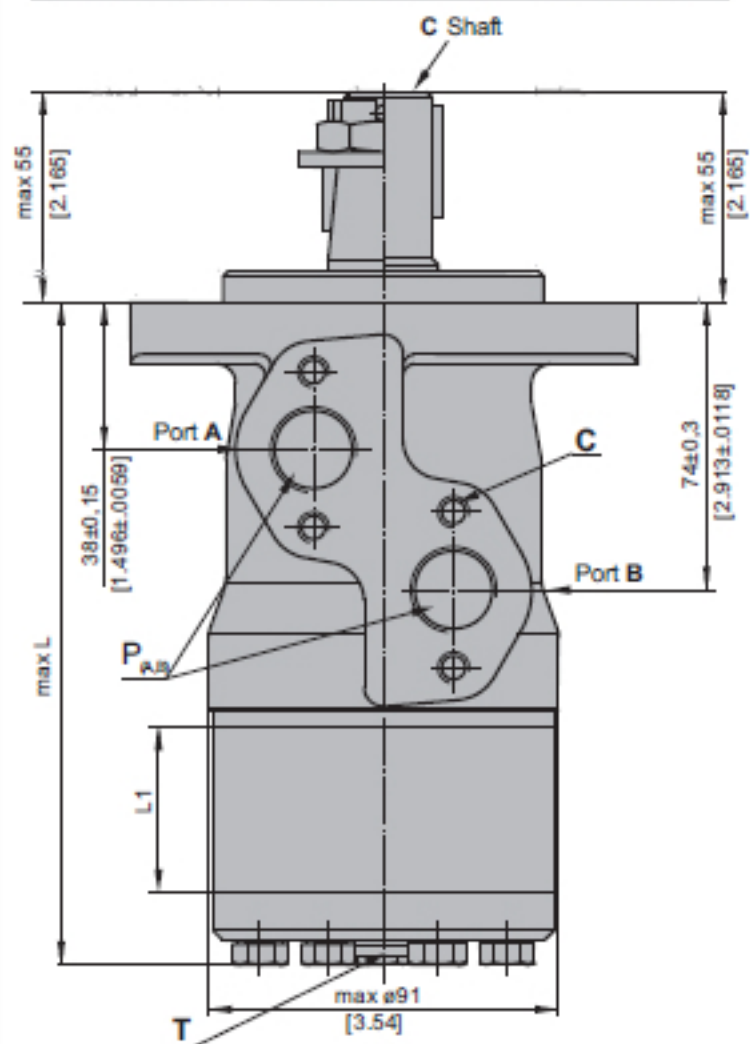
SPECIFICATION DATA

Type		MP 100
Displacement, cm ³ /rev [in ³ /rev]		99 [6.04]
Max. Speed, [RPM]	Cont.	805
	Int.*	755
Max. Torque daNm [lb-in]	Cont.	19,3 [1710]
	Int.*	23,7 [2100]
	Peak**	27,5 [2435]
Max. Output kW [HP]	Cont.	10,5 [14.1]
	Int.*	12,8 [17.1]
Max. Pressure Drop bar [PSI]	Cont.	140 [2030]
	Int.*	175 [2540]
	Peak**	225 [3260]
Max. Oil Flow lpm [GPM]	Cont.	60 [15.9]
	Int.*	75 [19.8]
Max. Inlet Pressure bar [PSI]	Cont.	175 [2540]
	Int.*	200 [2900]
	Peak**	225 [3260]
Max. Return Pressure with Drain Line bar [PSI]	Cont.	175 [2540]
	Int.*	200 [2900]
	Peak**	225 [3260]
Max. Starting Pressure with Unloaded Shaft, bar [PSI]		10 [145]
Min. Starting Torque daNm [lb-in]	At max.press. drop Cont.	16,6 [1470]
	At max.press. drop Int.*	21 [1860]
Min. Speed**, [RPM]		10
Weight, kg [lb]	MP(F)(N)	6,1 [13.5]
	MPW(N)	5,8 [12.8]
	MPQ(N)	5,5 [12.1]

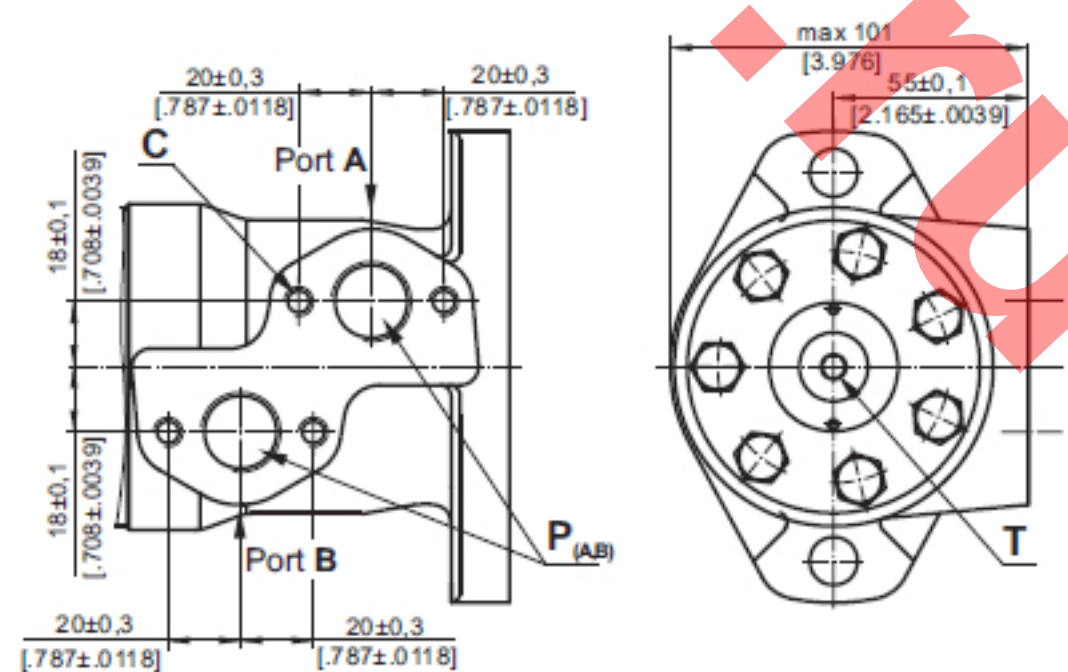
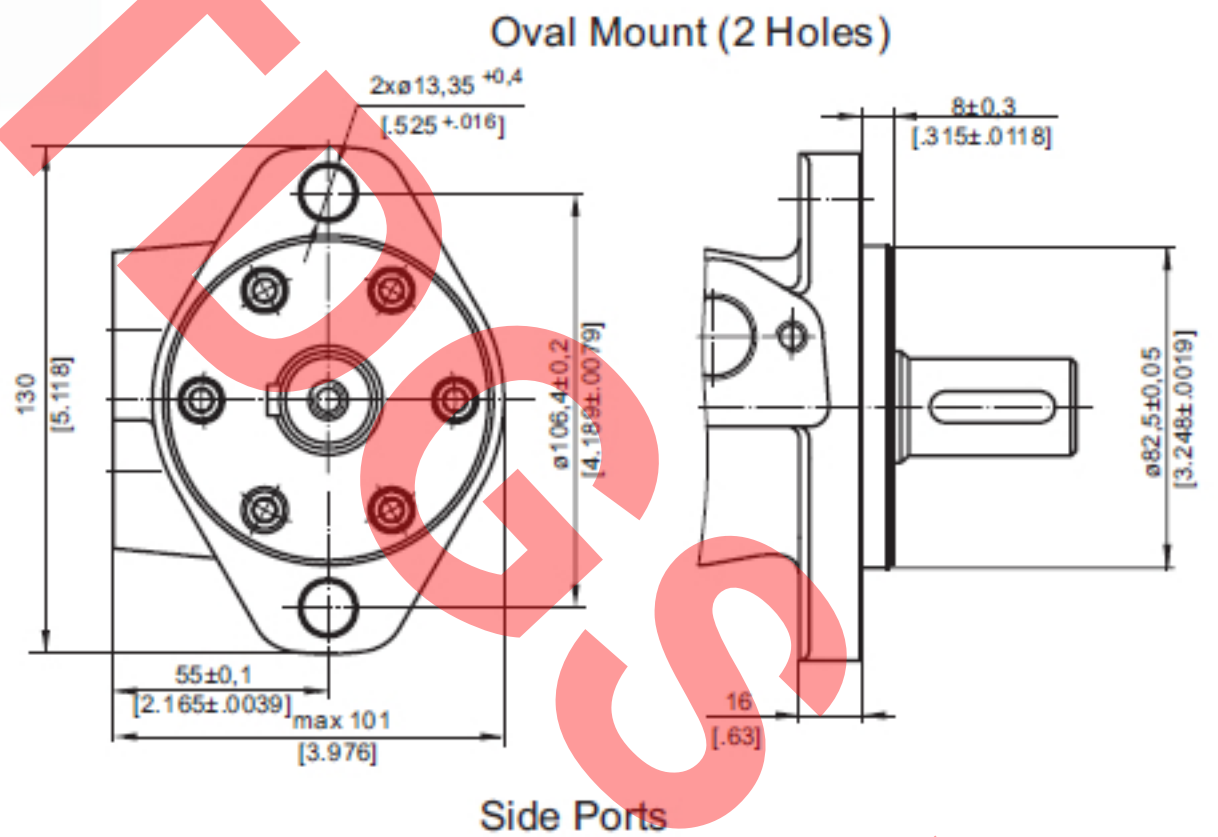
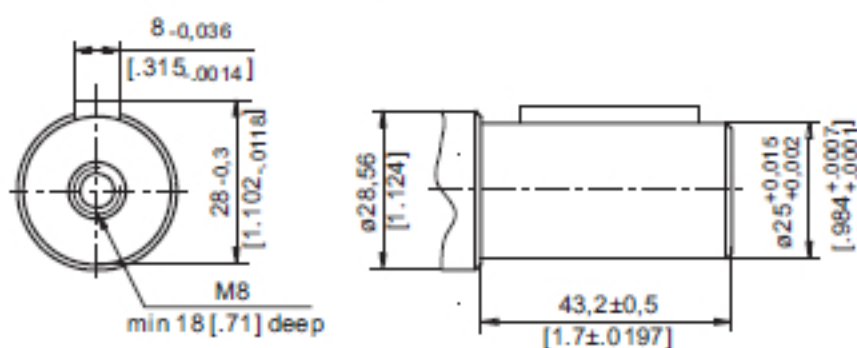
MP 100



DIMENSIONS AND MOUNTING DATA



C - $\phi 25$ straight, Parallel key A8x7x32 DIN 6885
Max. Torque 34 daNm [3010 lb-in]



- C** : 4xM8 - 13 mm [.51 in] depth
- P_(A,B)** : 2xG1/2 or 2xM22x1,5 - 15 mm [.59 in] depth
- T** : G1/4 or M14x1,5 - 12 mm [.47 in] depth (plugged)

Type	L, mm [in]	Type	L, mm [in]
MP(F) 100	142,0 [5.59]	MPQ 100	148,5 [5.85]