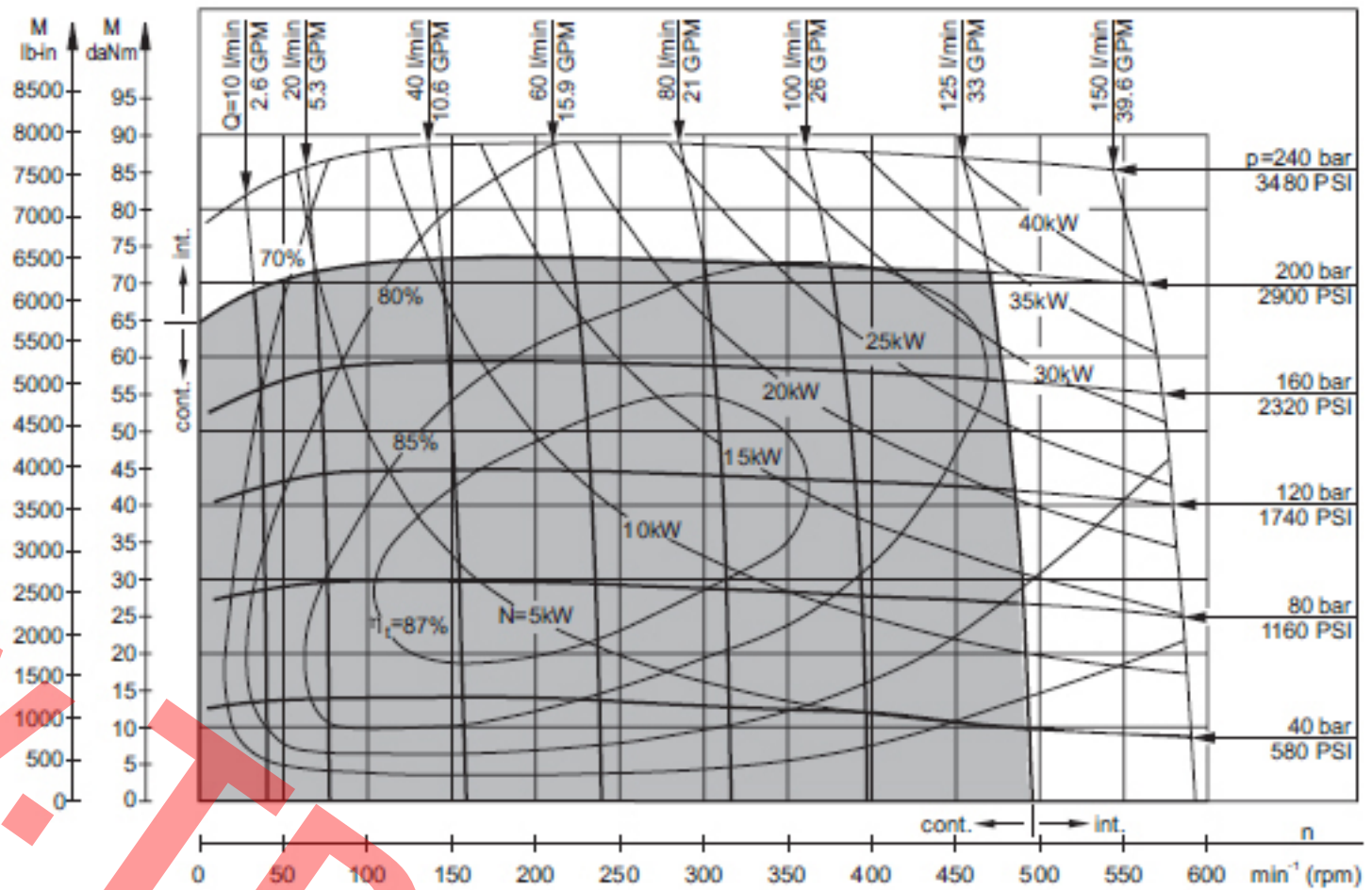


## SPECIFICATION DATA

## FUNCTION DIAGRAMS

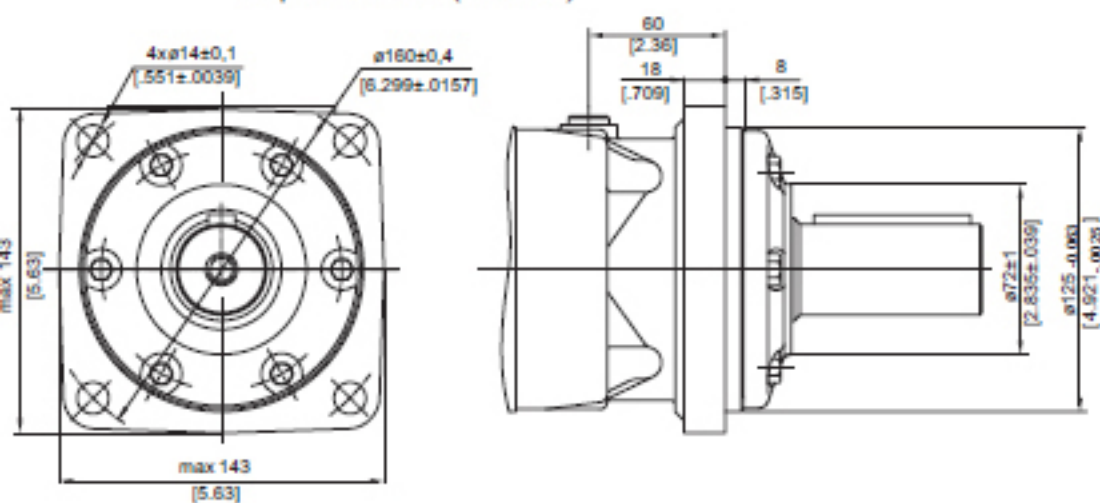
### MT 250

Type		MT 250
Displacement, cm <sup>3</sup> /rev [in <sup>3</sup> /rev]		251,8 [15.36]
Max. Speed, [RPM]	Cont.	496
	Int.*	601
Max. Torque daNm [lb-in]	Cont.	73 [6460]
	Int.*	88 [7790]
	Peak**	102 [9030]
Max. Output kW [HP]	Cont.	33,5 [45]
	Int.*	40 [54]
Max. Pressure Drop bar [PSI]	Cont.	200 [2900]
	Int.*	240 [3480]
	Peak**	280 [4050]
Max. Oil Flow lpm [GPM]	Cont.	125 [33]
	Int.*	150 [39.6]
Max. Inlet Pressure bar [PSI]	Cont.	210 [3050]
	Int.*	250 [3600]
	Peak**	300 [4350]
Max. Return Pressure with Drain Line bar [PSI]	Cont.	140 [2030]
	Int.*	175 [2540]
	Peak**	210 [3050]
Max. Starting Pressure with Unloaded Shaft, bar [PSI]		10 [150]
Min. Starting Torque daNm [lb-in]	At max. press. drop Cont.	53 [4690]
	At max. press. drop Int.*	63 [5580]
Min. Speed***, [RPM]		8
Weight, kg [lb]	MT	21 [46.3]
For Rear Ports	MTW	23 [50.7]
	MTS	16 [35.3]
	MTV	12 [26.5]

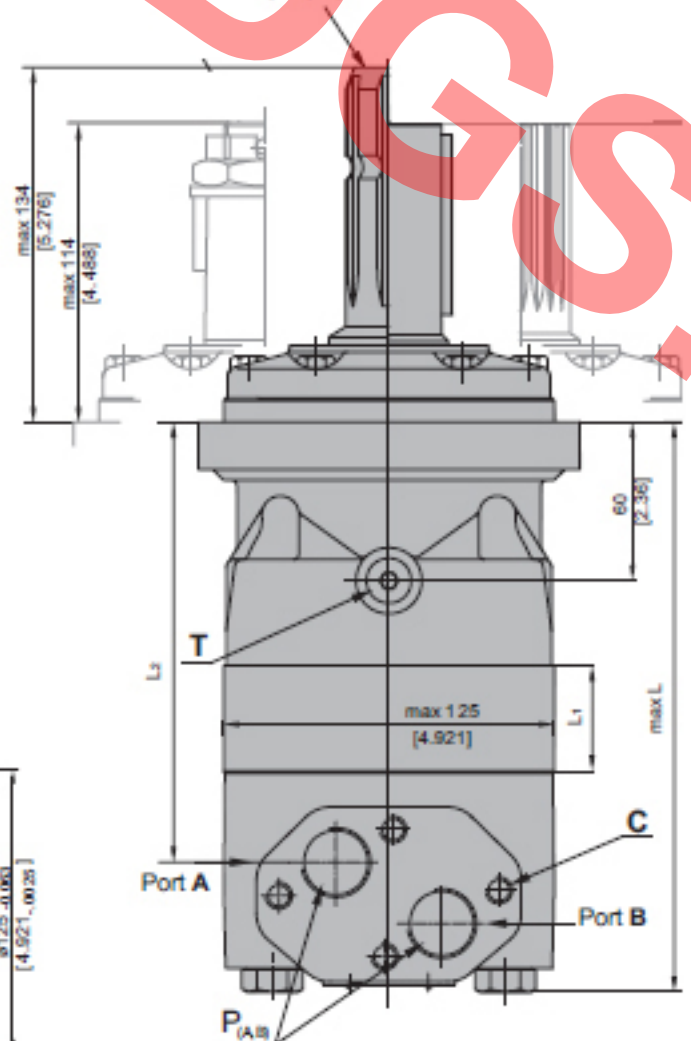


## MOUNTING

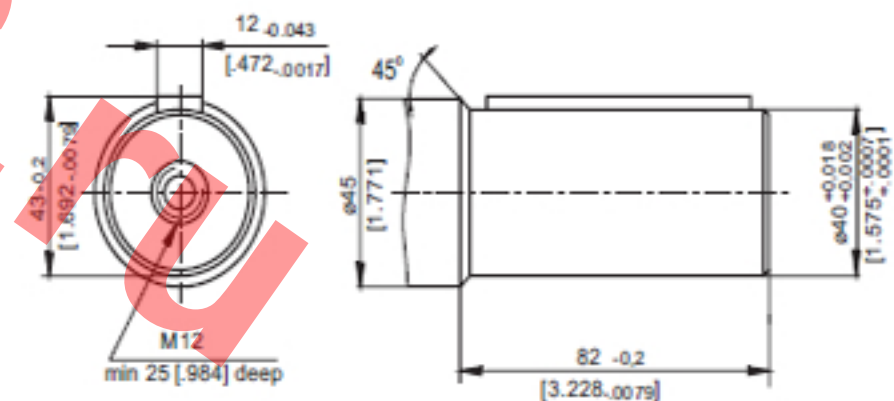
### Square Mount (4 Holes)



SL Shaft



**C** -ø40 straight, Parallel key A12x8x70 DIN 6885  
Max. Torque 132,8 daNm [11755 lb-in]



Type	L, mm [in]	L <sub>2</sub> , mm [in]	**L <sub>E</sub> , mm [in]
MT 250	201 [7.91]	151 [5.95]	211 [8.31]