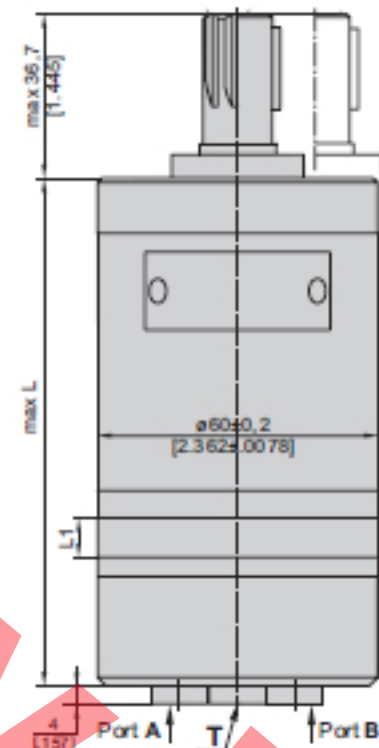
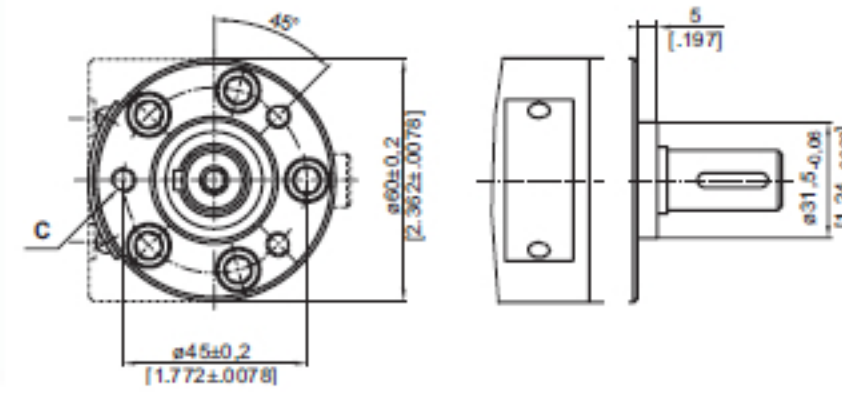


Type		MM 32
Displacement, cm <sup>3</sup> /rev [in <sup>3</sup> /rev]		31,8 [1.93]
Max. Speed, [RPM]	Cont.	630
	Int.*	790
Max. Torque daNm [lb-in]	Cont.	4,0 [375]
	Int.*	5,7 [506]
	Peak**	6,4 [568]
Max. Output kW [HP]	Cont.	2,4 [3.3]
	Int.*	3,2 [4.3]
Max. Pressure Drop bar [PSI]	Cont.	105 [1500]
	Int.*	140 [2030]
	Peak**	200 [2900]
Max. Oil Flow lpm [GPM]	Cont.	20 [5.5]
	Int.*	25 [6.6]
Max. Inlet Pressure bar [PSI]	Cont.	140 [2030]
	Int.*	175 [2540]
	Peak**	225 [3280]
Max. Return Pressure without Drain Line or Max. Pressure in Drain Line, bar [PSI]	Cont. 0-100 RPM	140 [2030]
	Cont. 100-400 RPM	105 [1500]
Max. Return Pressure with Drain Line, bar [PSI]	Cont. 400-800 RPM	50 [725]
	Cont. >800 RPM	-
Max. Starting Pressure with Unloaded Shaft, bar [PSI]	Int.* 0-max. RPM	140 [2030]
	Cont.	140 [2030]
Min. Starting Torque daNm [lb-in]	Int.*	175 [2540]
	Peak**	225 [3280]
Min. Speed***, [RPM]	Cont.	4 [60]
	At max. press. drop Cont.	3,4 [300]
Weight, kg [lb]	At max. press. drop Int.*	4,8 [425]
	MM	2,2 [4.85]
For "F" flange: +0,200 [.441]	MMF(S)	2,3 [5.07]
	MMP	2,5 [5.51]
	MMD	2,9 [6.39]

### DIMENSIONS AND MOUNTING DATA



### Three Bolts Mount

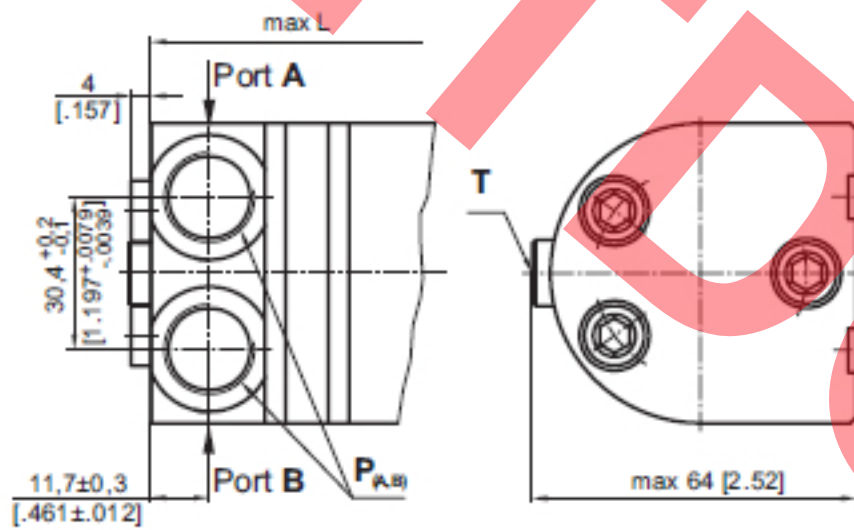


Standard Rotation Viewed from Shaft End  
 Port A Pressurized - CW  
 Port B Pressurized - CCW

Reverse Rotation Viewed from Shaft End  
 Port A Pressurized - CCW  
 Port B Pressurized - CW

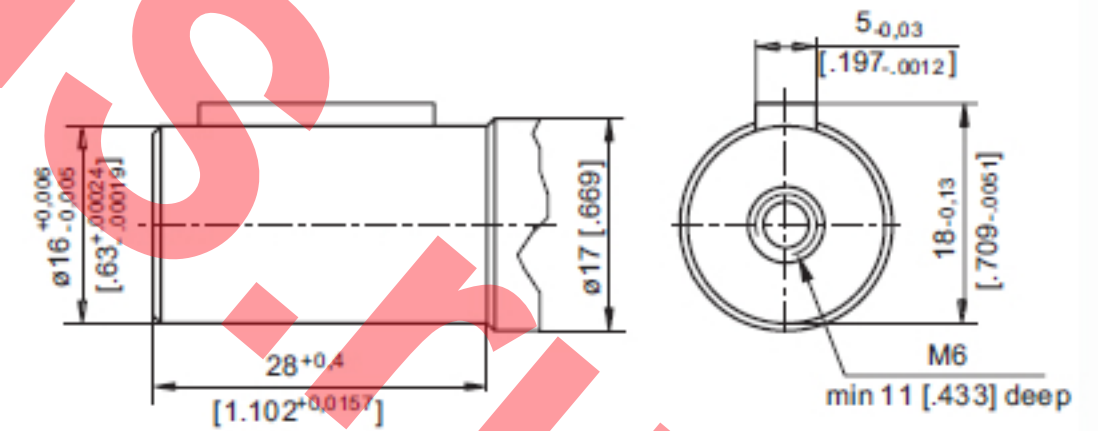
P<sub>(A/B)</sub>: 2xG3/8 or 2xM18x1,5 - 12 mm [.47 in] depth  
 T: G1/8 or M10x1 - 10 mm [.39 in] depth

### Side Ports



Type	L, mm [in.]	L <sub>1</sub> , mm [in.]
MMS 32	115 [4.528]	13,5 [.531]

ø16 straight, Parallel key 5x5x16 DIN 6885  
 Max. Torque 3,9 daNm [345 lb-in]



### MM 32

