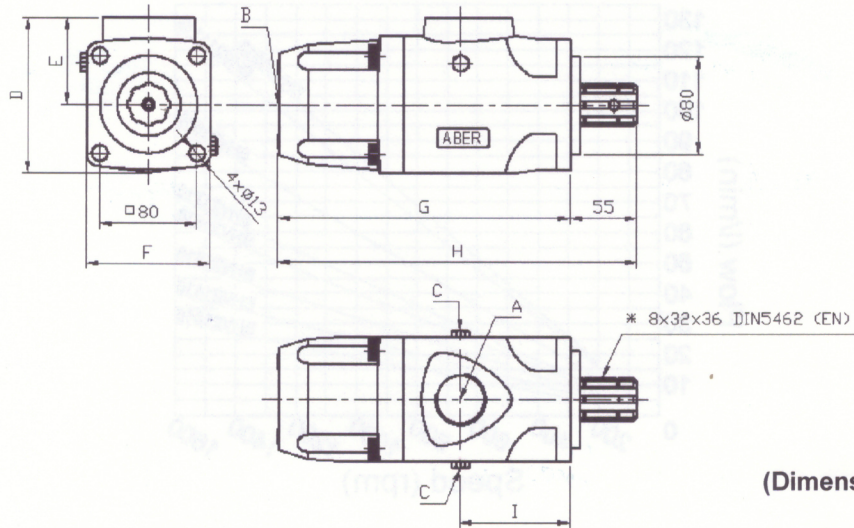


OIL-HYDRAULIC PUMP AXIAL PISTONS

Ref. BHV

Main Dimensions



(Dimensions in mm)

Main Data

Pumps BHV	21316*	21416*	21516*	21616*	21716*	25616*	21816*	211113*	25913*
Cylinder capacity (cm ³ /rot.)	19	25	32	40	45	50	60	80	86
Output L/Min. (rot. Max.)	30.4	40.0	51.2	64.0	72.0	70.0	96.0	128.0	120.0
Operating pressure (bar) (up to)	320	320	320	320	320	300	400	400	320
Peak pressure (bar)	370	370	370	370	370	350	450	450	370
Rotation Min. (r.p.m)	200	200	200	200	200	200	200	200	200
Rotation Max. (r.p.m)	1600	1600	1600	1600	1600	1400	1600	1600	1400
Weight (kg)	12.0	12.0	12.0	12.0	12.0	13.0	16.0	21.5	21.5
Sense of Rotation	Bi-directional								
A-Oil inlet (BSP)	1"1/4	1"1/4	1"1/4	1"1/4	1"1/4	1"1/4	1"1/2	1"1/2	1"1/2
B-Oil Outlet (BSP)	3/4"	3/4"	3/4"	3/4"	3/4"	3/4"	1"	1"	1"
C	Oil drain plug								
D	125	125	125	125	125	125	148	152	152
E	69	69	69	69	69	69	72	80	80
F	102	102	102	102	102	102	118	142	142
G	240	240	240	240	240	240	259	270	270
H	295	295	295	295	295	295	314	325	325
I	90	90	90	90	90	90	118	134	134

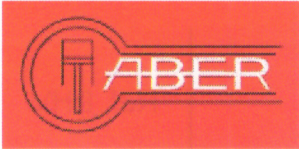
How to order:

Example: Pump 19L, operating pressure up to 320 bar ;peak pressure 370 bar, ref. BHV with DIN 5462 (EN) → BHV21316 EN

ABER is constantly engaged in improving its products and, therefore, reserves itself the right to modify without any further notice the characteristics shown



ABER - Embragagens e Comandos Hidrauicos - A. B. LDA
 Rua Francisco de Almeida, No 30 – Vila Nova da Telha – 4470 MAIA - Portugal
 Telefone: +351.22.9438070 Fax: +351.22.9420823 e-mail: aber@aber.pt <http://www.aber.pt>



OIL-HYDRAULIC PUMP AXIAL PISTONS

Ref. BHV

Diagram Flow / Speed

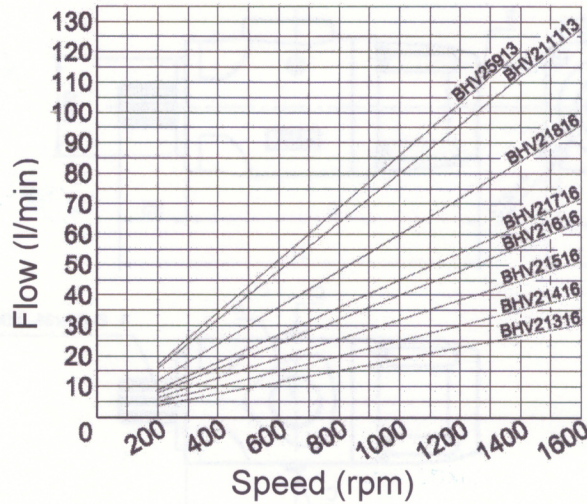
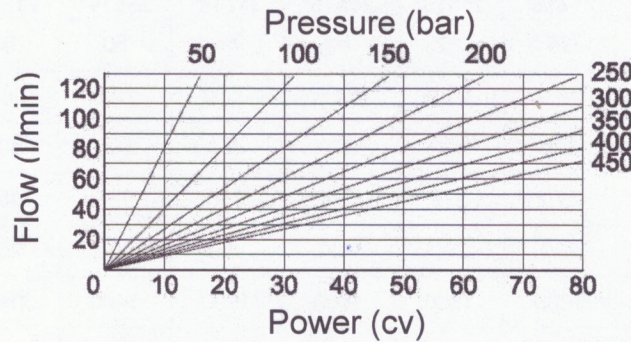
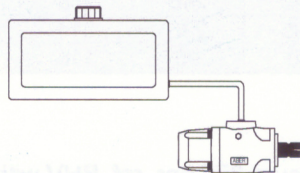


Diagram Input Power - Flow - Pressure amplitude



IMPORTANT NOTES:

- ✓ Other axis available, please consult "Axel options"
- ✓ Diameter of inlet pipes lower than indicated in our technical catalogues as well as a poor sealing can cause cavitation phenomenon to occur, thereby deteriorating the pump
- ✓ Keep up the deposit above pump level
- ✓ Used always return filters. We recommend filters with mesh equal to or lower than 25 μm
- ✓ The connection of inlet pipes in the pump, can be done by threading or flange and the sealing by orring
- ✓ Use a good quality mineral hydraulic-oil with viscosity at operating temperature between 20 and 46 cSt
- ✓ Fill the oil tank to 85% of its maximum capacity (the remainder 15% must not have oil)



Keep up the deposit above pump level

CTI BHV 1201-4

ABER is constantly engaged in improving its products and, therefore, reserves itself the right to modify without any further notice the characteristics shown



ABER - Embragens e Comandos Hidráulicos - A. B. LDA
 Rua Francisco de Almeida, N° 30 - Vila Nova da Telha - 4470 MAIA - Portugal
 Telephone: +351.22.9438070 Fax: +351.22.9420823 e-mail: aber@aber.pt <http://www.aber.pt>