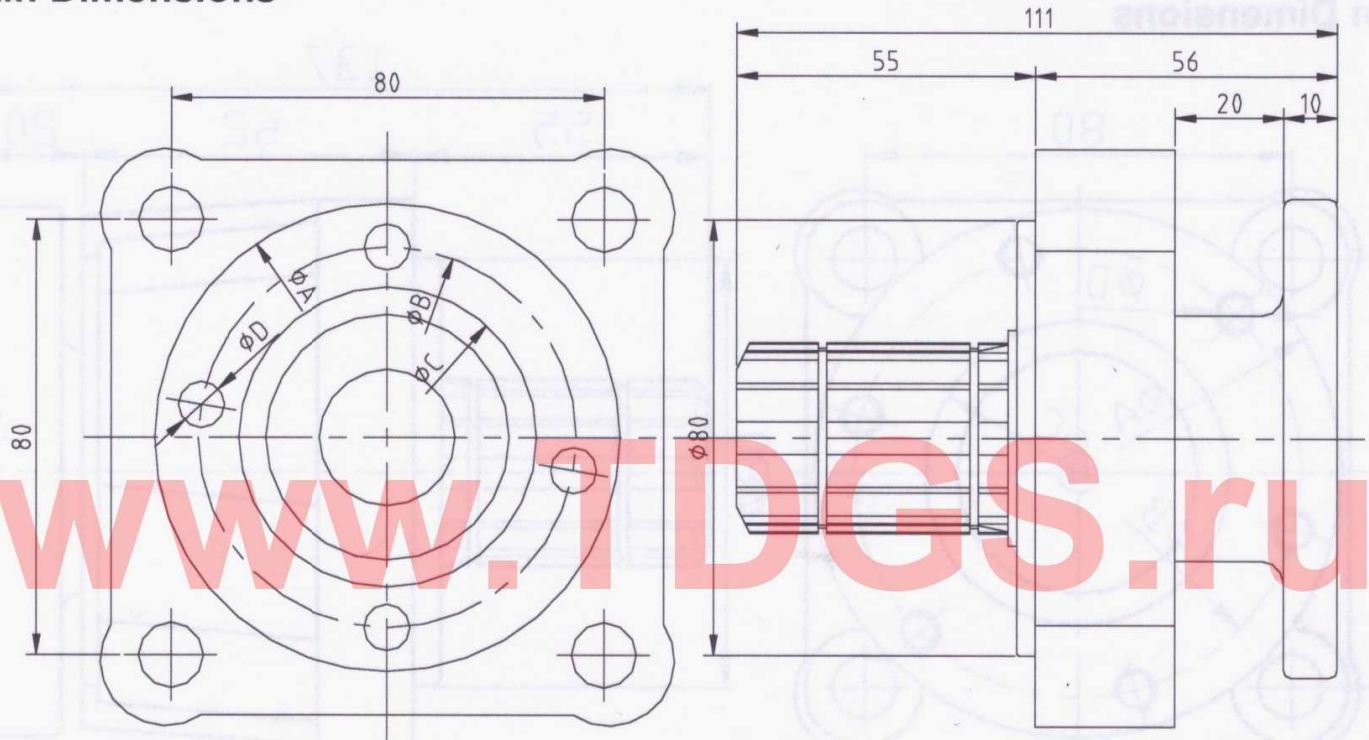




Adapter VB/Output Shaft Drive

Main Dimensions



(Dimensions in mm)

Ref	Description	A	B	C	D
ADA1100	Adapter VB/Output Shaft Drive 1100	88	69,85	57,15	4 x M8
ADA1300	Adapter VB/Output Shaft Drive 1300	97	79,40	60,3	4 x M10
ADA1400	Adapter VB/Output Shaft Drive 1400	116	95,3	69,9	4 x M10
ADAD100	Adapter VB/Output Shaft Drive DIN 100	99	84	57	6 x M8