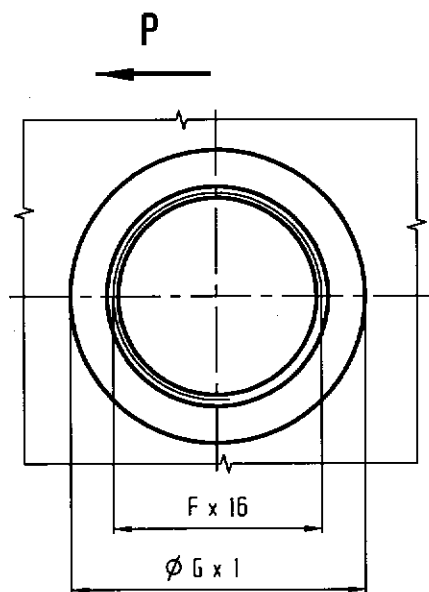
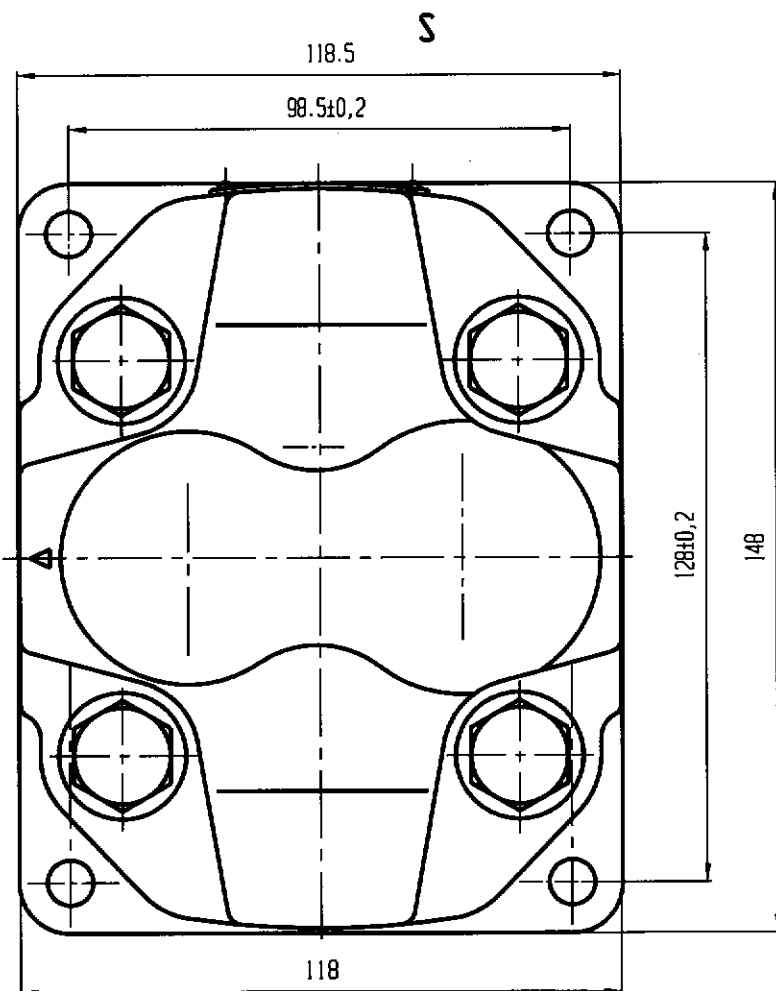


VSTUP  
INPUT

VYSTUP  
OUTPUT



P

F x 16  
Ø G x 1

A/2

A

B

(C)

25

23,75

D x 18

Ø E x 1

25

146

20,5

5

PERO 4x7,5  
CSN 301385.12

12,1±0,2

Ø 50,8 f8

MATICE M14x1,5  
Mk=80 Nm  
CSN 02 1401.50

PODLOZKA 14  
CSN 02 1740.00

11,2±0,4

33-0,5

1:8

|     |                           |            |       |       |       |          |      |        |      |
|-----|---------------------------|------------|-------|-------|-------|----------|------|--------|------|
| 002 | Q2-100R-R11C11-SG06G05-N  | 185 9252   | 122,5 | 147,5 | 219,5 | G 1 1/4" | 57,0 | G 1"   | 45,0 |
| 002 | Q2-82R-R11C11-SG06G05-N   | 185 9251   | 110,0 | 135,0 | 207,0 | G 1 1/4" | 57,0 | G 1"   | 45,0 |
|     | Q2-71R-R11C11-SG06G05-N   | 185 9239   | 102,5 | 127,5 | 199,5 | G 1 1/4" | 57,0 | G 1"   | 45,0 |
|     | Q2-61R-R11C11-SG06G05-N   | 185 9238   | 96,0  | 121,0 | 193,0 | G 1 1/4" | 57,0 | G 1"   | 45,0 |
| 002 | Q2-51R-R11C11-SG05G04-N   | 185 9250   | 89,0  | 114,0 | 186,0 | G 1"     | 45,0 | G 3/4" | 39,0 |
|     | Q2-43R-R11C11-SG05G04-N   | 185 9237   | 83,5  | 108,5 | 180,5 | G 1"     | 45,0 | G 3/4" | 39,0 |
| 002 | Q2-34R-R11C11-SG04G04-N   | 185 9249   | 77,0  | 102,0 | 174,0 | G 3/4"   | 39,0 | G 3/4" | 39,0 |
| 002 | Q2-27R-R11C11-SG04G04-N   | 185 9248   | 72,5  | 97,5  | 169,5 | G 3/4"   | 39,0 | G 3/4" | 39,0 |
| 002 | Q2-22,5R-R11C11-SG04G04-N | 185 9247   | 69,0  | 94,0  | 166,0 | G 3/4"   | 39,0 | G 3/4" | 39,0 |
| 002 | Q2-22,5R-R11C11-SG04G03-N | 185 9246   | 69,0  | 94,0  | 166,0 | G 3/4"   | 39,0 | G 1/2" | 33,0 |
| 002 | Q2-17R-R11C11-SG03G03-N   | 185 9245   | 65,5  | 90,5  | 162,5 | G 1/2"   | 33,0 | G 1/2" | 33,0 |
| 002 | Q2-10R-R11C11-SG03G03-N   | 1          | 60,5  | 85,5  | 157,5 | G 1/2"   | 33,0 | G 1/2" | 33,0 |
|     | TYP - C. VYKRESU          | C. ZAKAZKY | A     | B     | C     | D        | E    | F      | G    |

ROZMER (mm)

|                              |  |               |  |                   |  |                          |  |           |  |                          |  |
|------------------------------|--|---------------|--|-------------------|--|--------------------------|--|-----------|--|--------------------------|--|
| Index                        |  | Zmena         |  | Datum             |  | Podpis                   |  | Č. verze: |  | Č. zakázky:              |  |
| 002-8x                       |  | nova konta    |  | 20.4.15           |  | Perník                   |  | 002       |  | VIZ TABULKA<br>SEE TABLE |  |
| Zn. materiálu:               |  | T.O.:         |  | Hmotnost kg:      |  | Měřitko:                 |  | 1 : 1     |  |                          |  |
| Rozm. polot.:                |  |               |  |                   |  |                          |  |           |  |                          |  |
| Pan. zař.:                   |  |               |  |                   |  |                          |  |           |  |                          |  |
| Vpracoval: PERNÍK            |  | Norm.ref.:    |  | Pozn.: CAD 185237 |  | Č. kusovníku:            |  |           |  |                          |  |
| Přezkoušel:                  |  |               |  |                   |  |                          |  |           |  |                          |  |
| Technol.:                    |  | Schválil:     |  | 27.2.2015         |  | Stary v.č.:              |  | Č.v.:     |  |                          |  |
| Název: HYDROGENERATOR ZUBOVY |  | -zast. vykres |  | GEAR PUMP         |  | VIZ TABULKA<br>SEE TABLE |  | Listů:    |  | List:                    |  |

- SMYSL OTÁČENÍ HRÁDELE PŘI POHLEDU NA PŘÍRUBU - VPRAVO.  
THE DIRECTION OF ROTATION OF DRIVE SHAFT IS DETERMINED BY  
LOOKING ON FLANGE - CLOCKWISE.
- HYDROGENERÁTOR MŮŽE BÝT POUŽIT POUZE V DANÉM SMĚRU OTÁČENÍ.  
GEAR PUMP CAN BE USE ONLY IN IDENTIFIED THE DIRECTION OF ROTATION.
- PROVOZNI TEPLOTA: MINIMALNI -20 °C; PROVOZNI 0 - 80 °C; KRATKODOBE 100 °C.  
OPERATING TEMPERATURE RANGE: MIN. -20 °C; CONTINUOUS 0 - 80 °C; INTERMITTENT 100 °C.
- ROZSAH OKOLNI TEPLoty: -40 az +55 °C.  
AMBIENT TEMPERATURE RANGE: -40 TO +55 °C.