

SPECIFICATION DATA

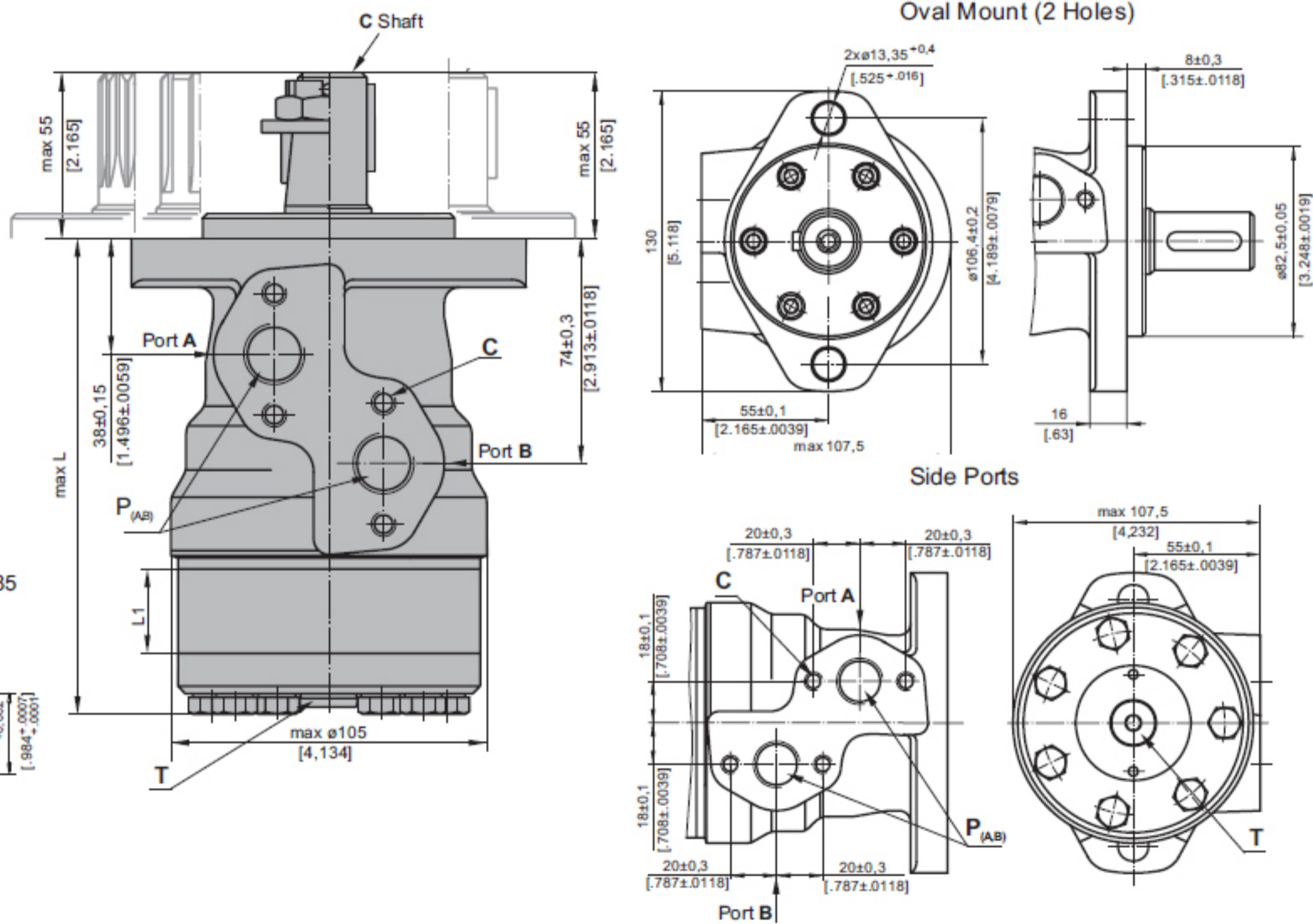
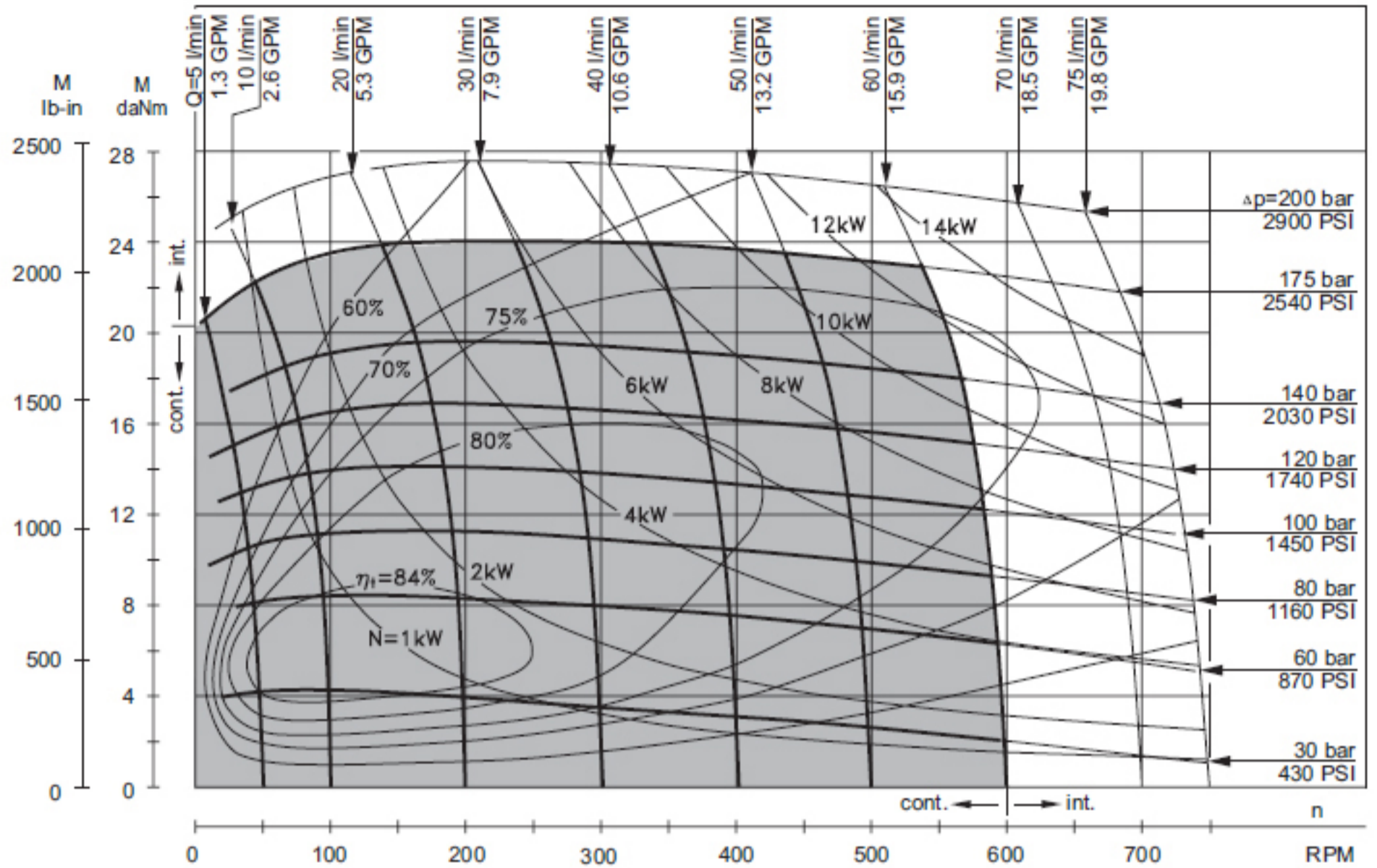
Specification Data for MR... motors with C, CO, SH, K and SA shafts.
($\phi 28,56$ sealing diameter)

FUNCTION DIAGRAMS

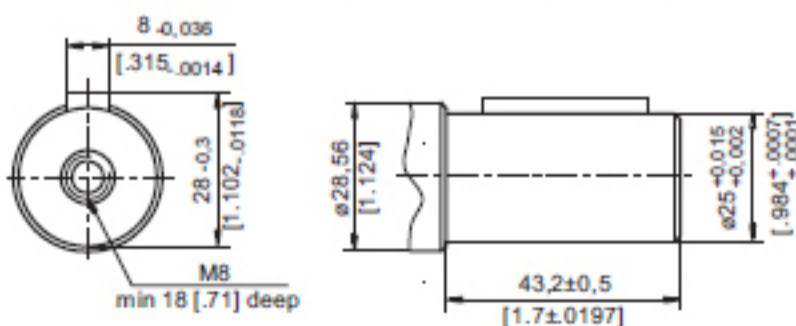
Type	MR 100
Displacement, cm ³ /rev [in ³ /rev]	99,8 [6.09]
Max. Speed, [RPM]	Cont. 600 Int.* 750
Max. Torque daNm [in-lb]	Cont. 24 [2125] Int.* 28 [2480] Peak** 32 [2832]
Max. Output kW [HP]	Cont. 13 [17.4] Int.* 15 [20.1]
Max. Pressure Drop bar [PSI]	Cont. 175[2540] Int.* 200[2900] Peak** 225[3260]
Max. Oil Flow lpm [GPM]	Cont. 60 [15.8] Int.* 75 [19.8]
Max. Inlet Pressure bar [PSI]	Cont. 175[2540] Int.* 200[2900] Peak** 225[3260]
Max. Return Pressure with Drain Line bar [PSI]	Cont. 175[2540] Int.* 200[2900] Peak** 225[3260]
Max. Starting Pressure with Unloaded Shaft, bar [PSI]	10 [145]
Min. Starting Torque daNm [in-lb]	At max.press. drop Cont. 20 [1770] At max.press. drop Int.* 23 [2035]
Min. Speed***, [RPM]	10
Weight, kg [lb]	MR(F) 7,2 [15.9] MRQ(N) 6,6 [14.6]

Type	L, mm [in]
MR(F) 100	146,0 [5.75]

MR 100



C - $\phi 25$ straight, Parallel key A8x7x32 DIN 6885
Max. Torque 34 daNm [3010 lb-in]



- C** : 4xM8 - 13 mm [.51 in] depth
- P_(A,B)** : 2xG1/2 or 2xM22x1,5 - 15 mm [.59 in] depth
- T** : G1/4 or M14x1,5 - 12 mm [.47 in] depth (plugged)