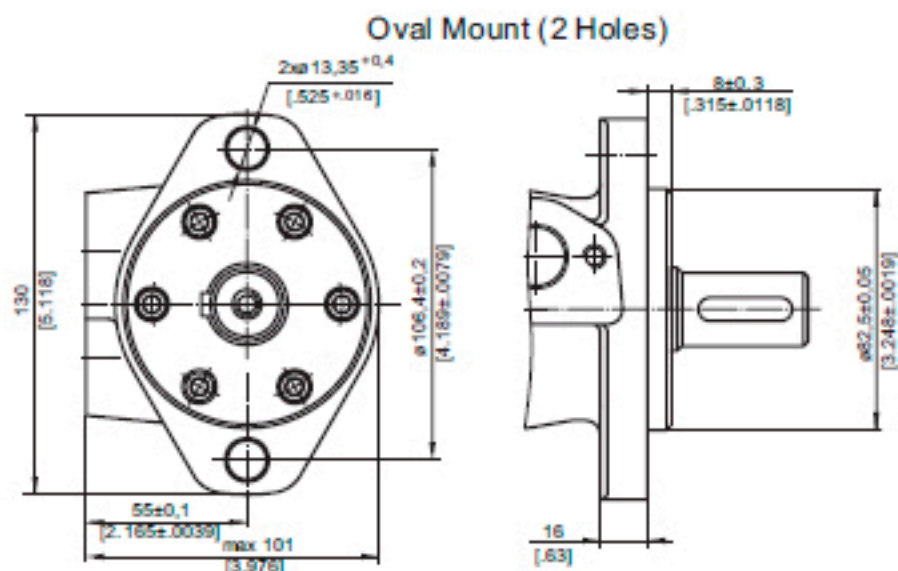


SPECIFICATION DATA

Type		MP 50	
Displacement, cm ³ /rev [in ³ /rev]		49,5 [3.02]	
Max. Speed, [RPM]	Cont.	1210	
	Int.*	1515	
Max. Torque daNm [lb-in]	Cont.	9,4 [835]	
	Int.*	11,9 [1050]	
Max. Output kW [HP]	Cont.	10,1 [13.5]	
	Int.*	12,2 [16.1]	
Max. Pressure Drop bar [PSI]	Cont.	140 [2030]	
	Int.*	175 [2540]	
	Peak**	225 [3260]	
Max. Oil Flow lpm [GPM]	Cont.	60 [15.9]	
	Int.*	75 [19.8]	
Max. Inlet Pressure bar [PSI]	Cont.	175 [2540]	
	Int.*	200 [2900]	
	Peak**	225 [3260]	
Max. Return Pressure with Drain Line bar [PSI]	Cont.	175 [2540]	
	Int.*	200 [2900]	
	Peak**	225 [3260]	
Max. Starting Pressure with Unloaded Shaft, bar [PSI]		10 [145]	
Min. Starting Torque daNm [lb-in]	At max.press. drop Cont.	7,8 [690]	
	At max.press. drop Int.*	10 [885]	
Min. Speed***, [RPM]		10	
Weight, kg [lb]	MP(F)(N)	5,8 [12.8]	
		For rear ports MPW(N)	5,5 [12.1]
		MPQ(N)	5,2 [11.5]

C : 4xM8 - 13 mm [.51 in] depth
 P_(A,B) : 2xG1/2 or 2xM22x1,5 - 15 mm [.59 in] depth
 T : G1/4 or M14x1,5 - 12 mm [.47 in] depth (plugged)



MP 50

