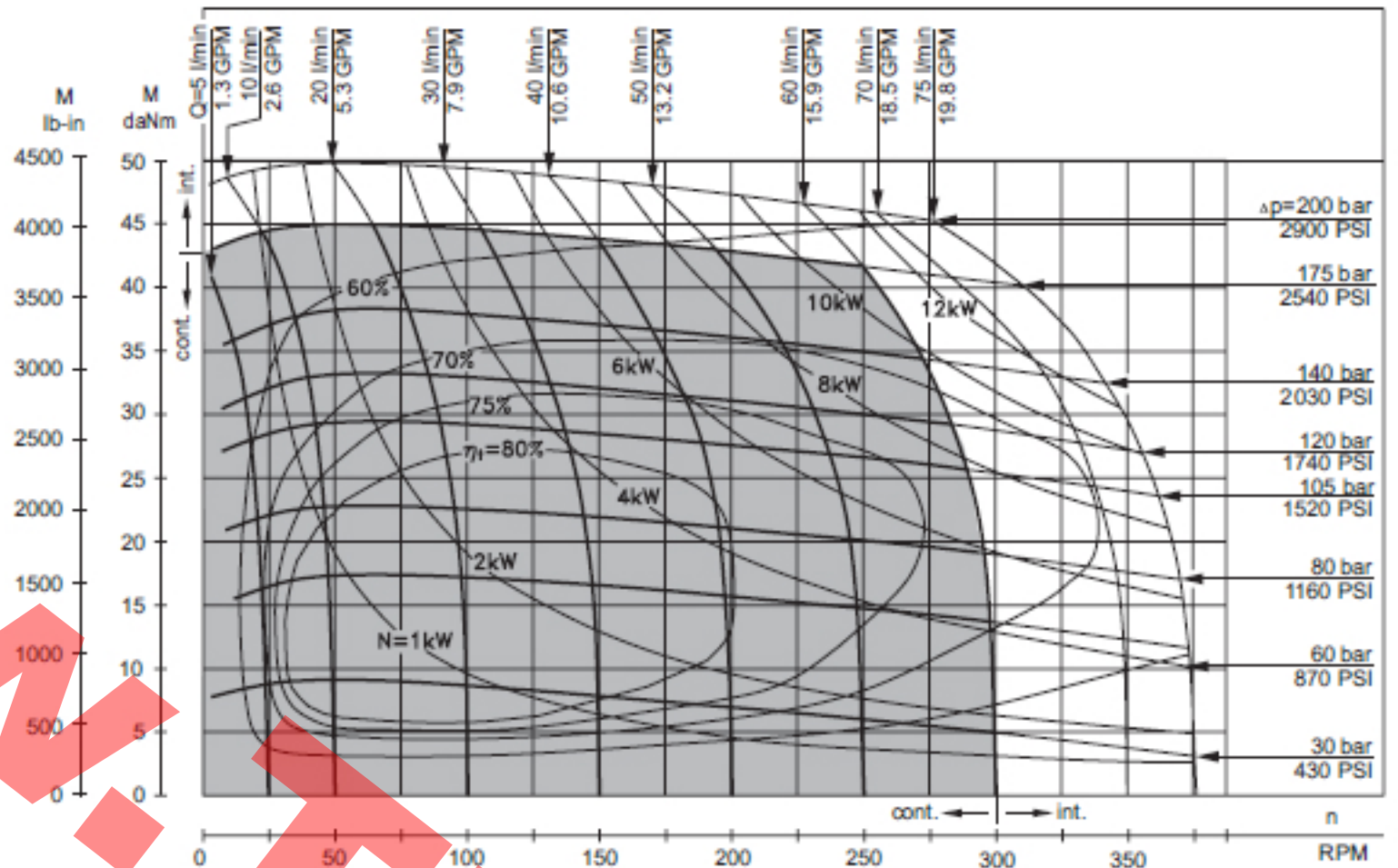
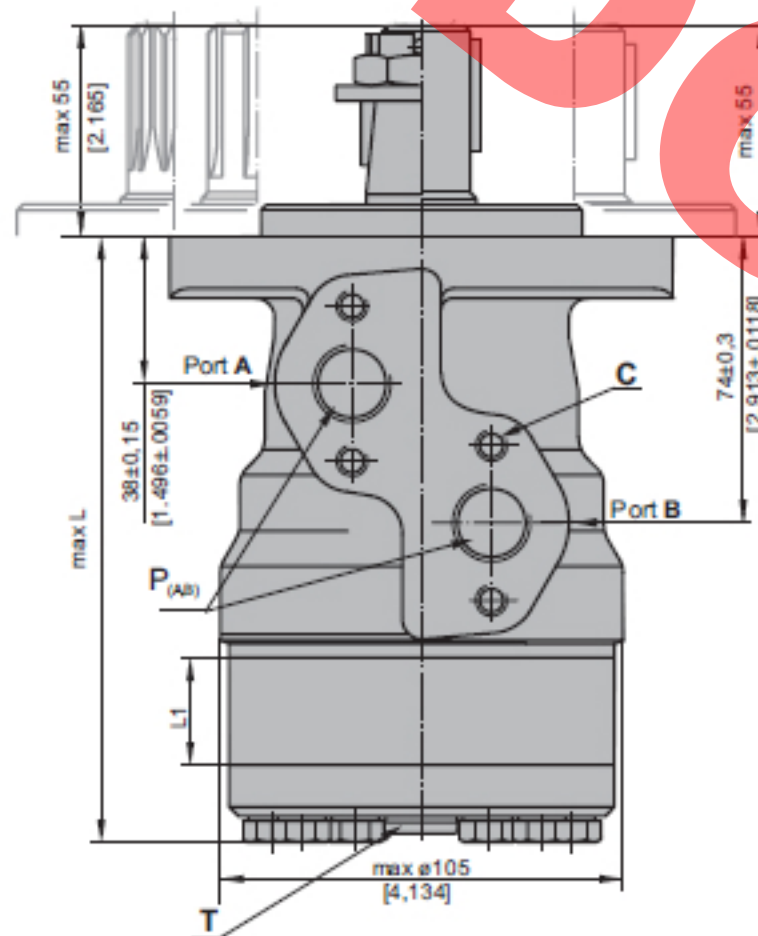


SPECIFICATION DATA

Type		
Displacement, cm ³ /rev [in ³ /rev]		199,8 [12.19]
Max. Speed, [RPM]	Cont.	300
	Int.*	375
Max. Torque daNm [in-lb]	Cont.	38,5 [3410]
	Int.*	46 [4070]
	Peak**	56 [4960]
Max. Output	Cont.	9 [12]
kW [HP]	Int.*	12 [16.1]
Max. Pressure Drop	Cont.	140 [2030]
bar [PSI]	Int.*	175 [2540]
	Peak**	225 [3260]
Max. Oil Flow	Cont.	60 [15.8]
lpm [GPM]	Int.*	75 [19.8]
Max. Inlet Pressure	Cont.	175 [2540]
bar [PSI]	Int.*	200 [2900]
	Peak**	225 [3260]
Max. Return Pres- sure with Drain Line	Cont.	175 [2540]
bar [PSI]	Int.*	200 [2900]
	Peak**	225 [3260]
Max. Starting Pressure with Unloaded Shaft, bar [PSI]		5 [73]
Min. Starting Torque daNm [in-lb]	At max.press. drop Cont.	33 [2920]
	At max.press. drop Int.*	40 [3540]
Min. Speed***, [RPM]		10
Weight, kg [lb]	MR(F)	8 [17.6]
For rear ports: +0,650 [1.433]	MRQ(N)	7,2 [14.7]



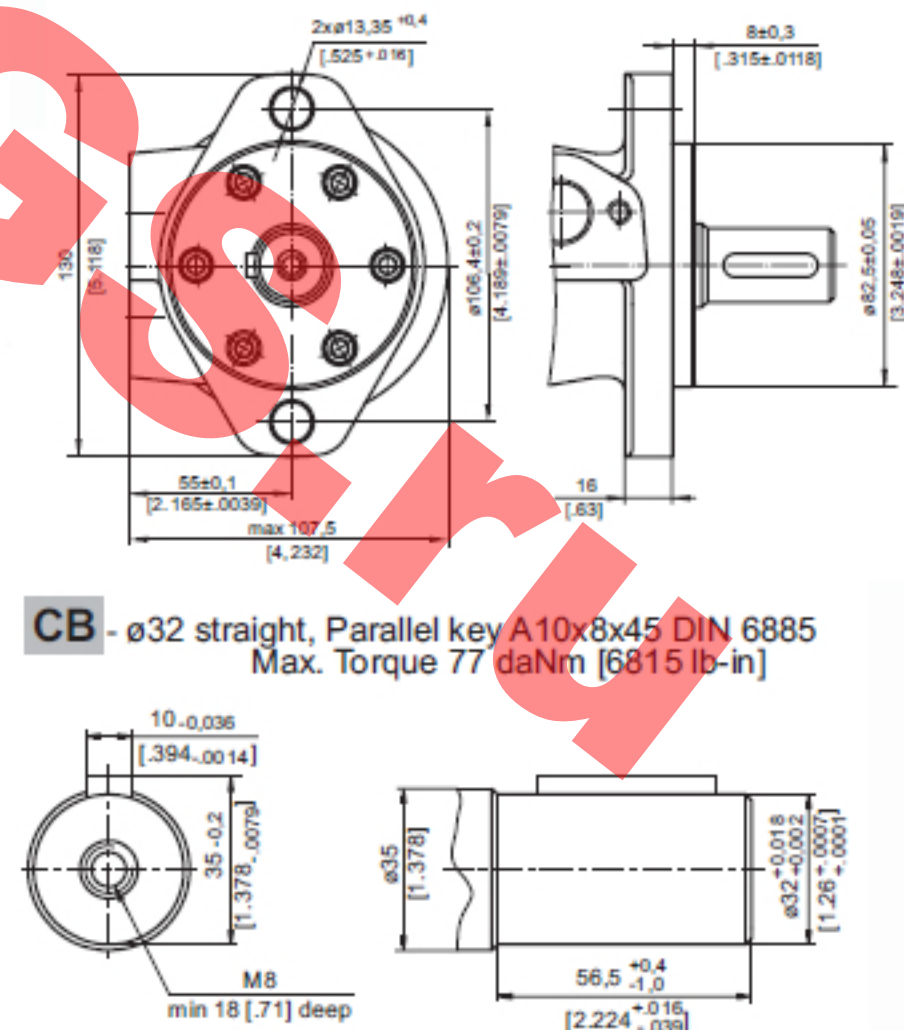
DIMENSIONS AND MOUNTING DATA



Type	L, mm [in]
200	163,5 [6.44]

MOUNTING

Oval Mount (2 Holes)



CB - ø32 straight, Parallel key A10x8x45 DIN 6885
Max. Torque 77 daNm [6815 lb-in]