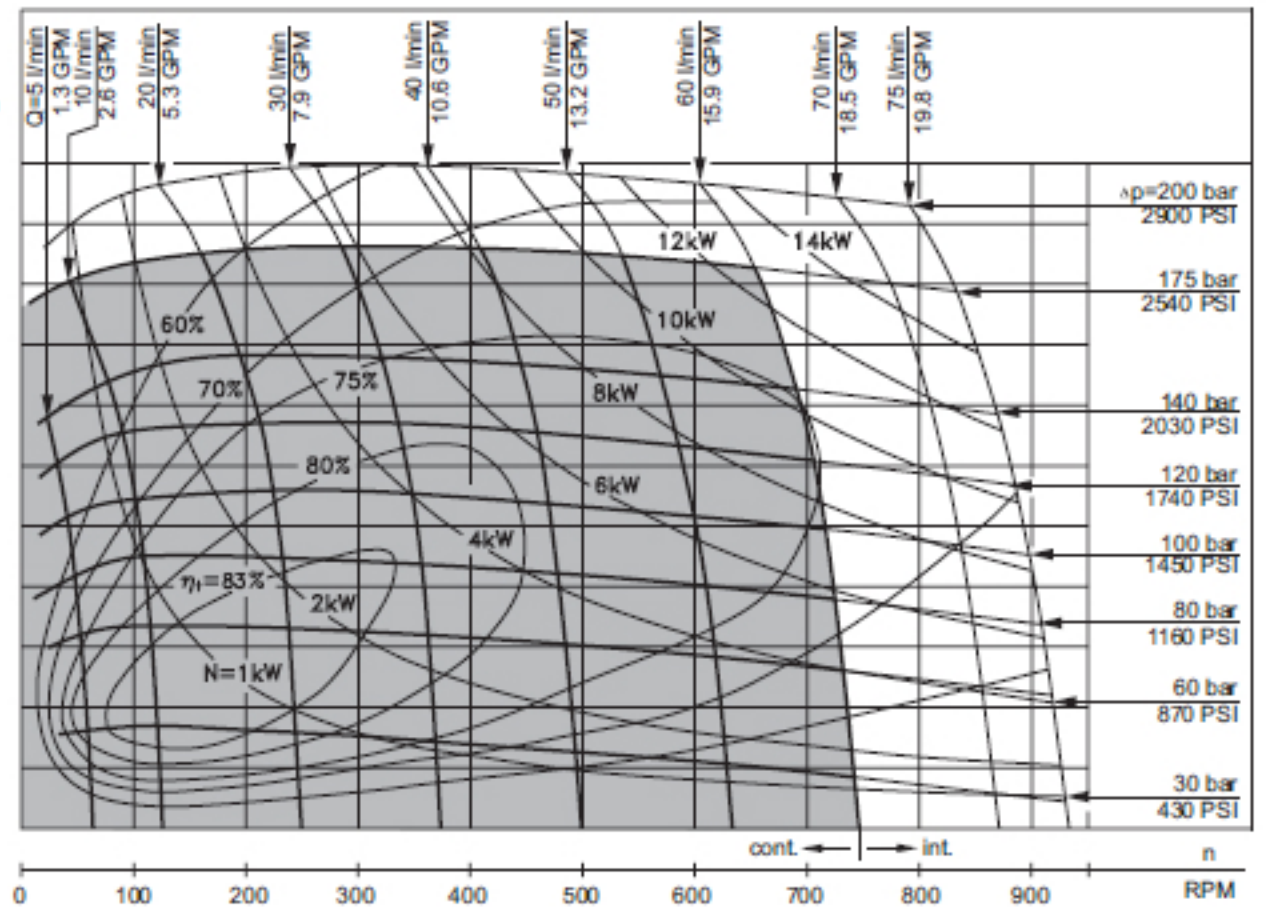
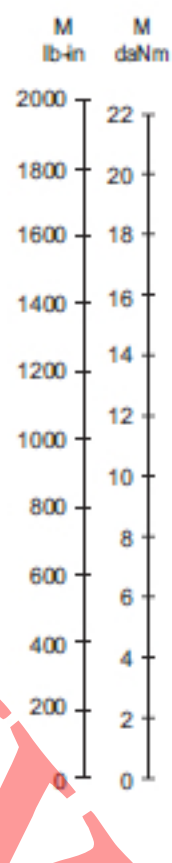


SPECIFICATION DATA

Type	MR 80
Displacement, cm ³ /rev [in ³ /rev]	80,3 [4.90]
Max. Speed, Cont. [RPM]	750 940
Max. Torque, Cont. daNm [in-lb]	20 [1770] 22 [1947]
	Peak** 27 [2390]
Max. Output, Cont. kW [HP]	12,5 [17] 15 [20.1]
Max. Pressure Drop, Cont. bar [PSI]	175 [2540] 200 [2900]
	Peak** 225 [3260]
Max. Oil Flow, Cont. lpm [GPM]	60 [15.8] 75 [19.8]
Max. Inlet Pressure, Cont. bar [PSI]	175 [2540] 200 [2900]
	Peak** 225 [3260]
Max. Return Pressure with Drain Line, Cont. bar [PSI]	175 [2540] 200 [2900]
	Peak** 225 [3260]
Max. Starting Pressure with Unloaded Shaft, bar [PSI]	10 [145]
Min. Starting Torque, At max.press. drop Cont. daNm [in-lb]	15 [1330]
	At max.press. drop Int.* 17 [1505]
Min. Speed**, [RPM]	10
Weight, kg [lb]	MR(F) 6,9 [15,2] MRQ(N) 6,3 [13,9]
For rear ports: +0,650 [1.433]	

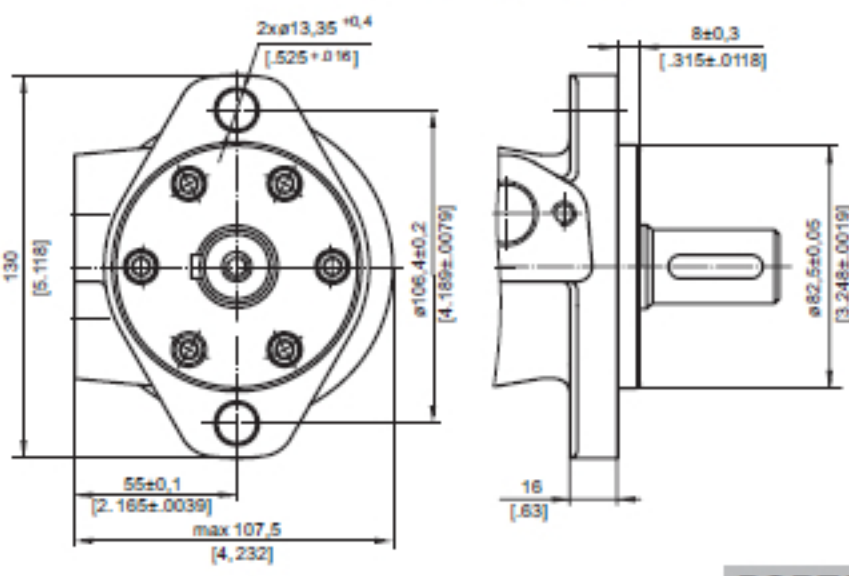


DIMENSIONS AND MOUNTING DATA

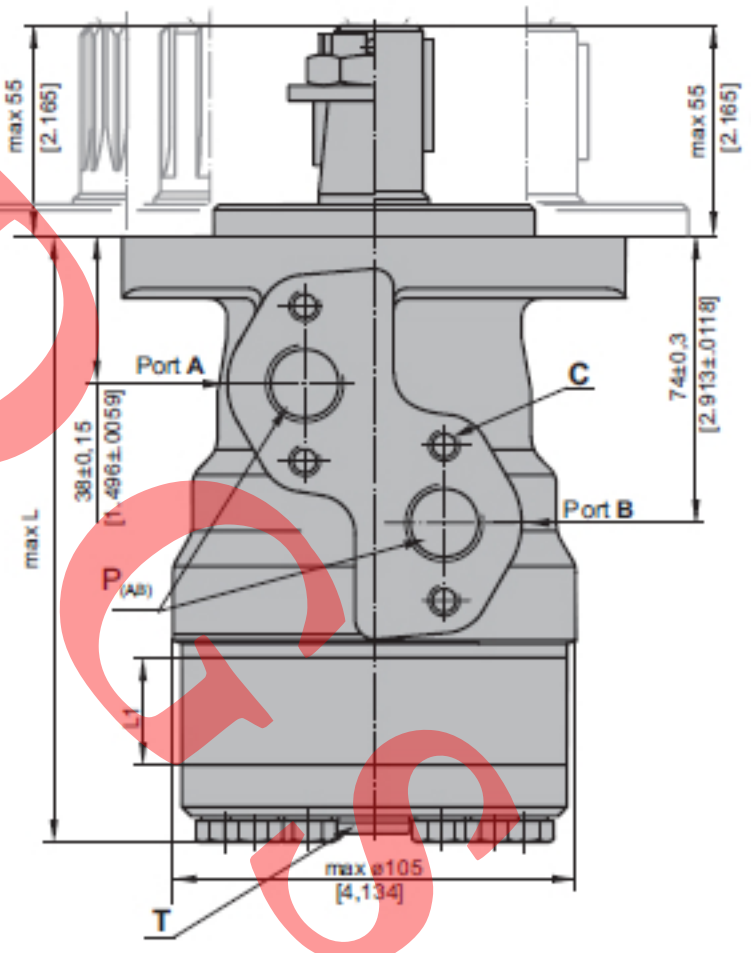
Type	L, mm [in]
MR(F) 80	143,0 [5.63]

MOUNTING

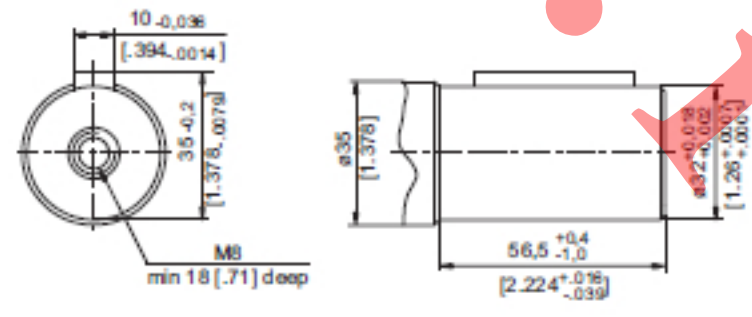
Oval Mount (2 Holes)



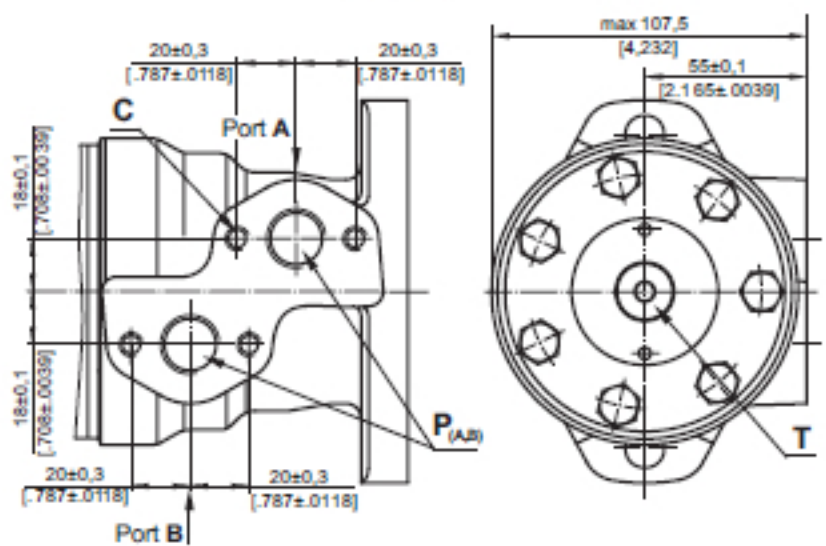
PORTS



CB - ø32 straight, Parallel key A10x8x45 DIN 6885
Max. Torque 77 daNm [6815 lb-in]



Side Ports



- C : 4xM8 - 13 mm [.51 in] depth
- P_(A,B) : 2xG 1/2 or 2xM22x1,5 - 15 mm [.59 in] depth
- T : G 1/4 or M14x1,5 - 12 mm [.47 in] depth (plugged)