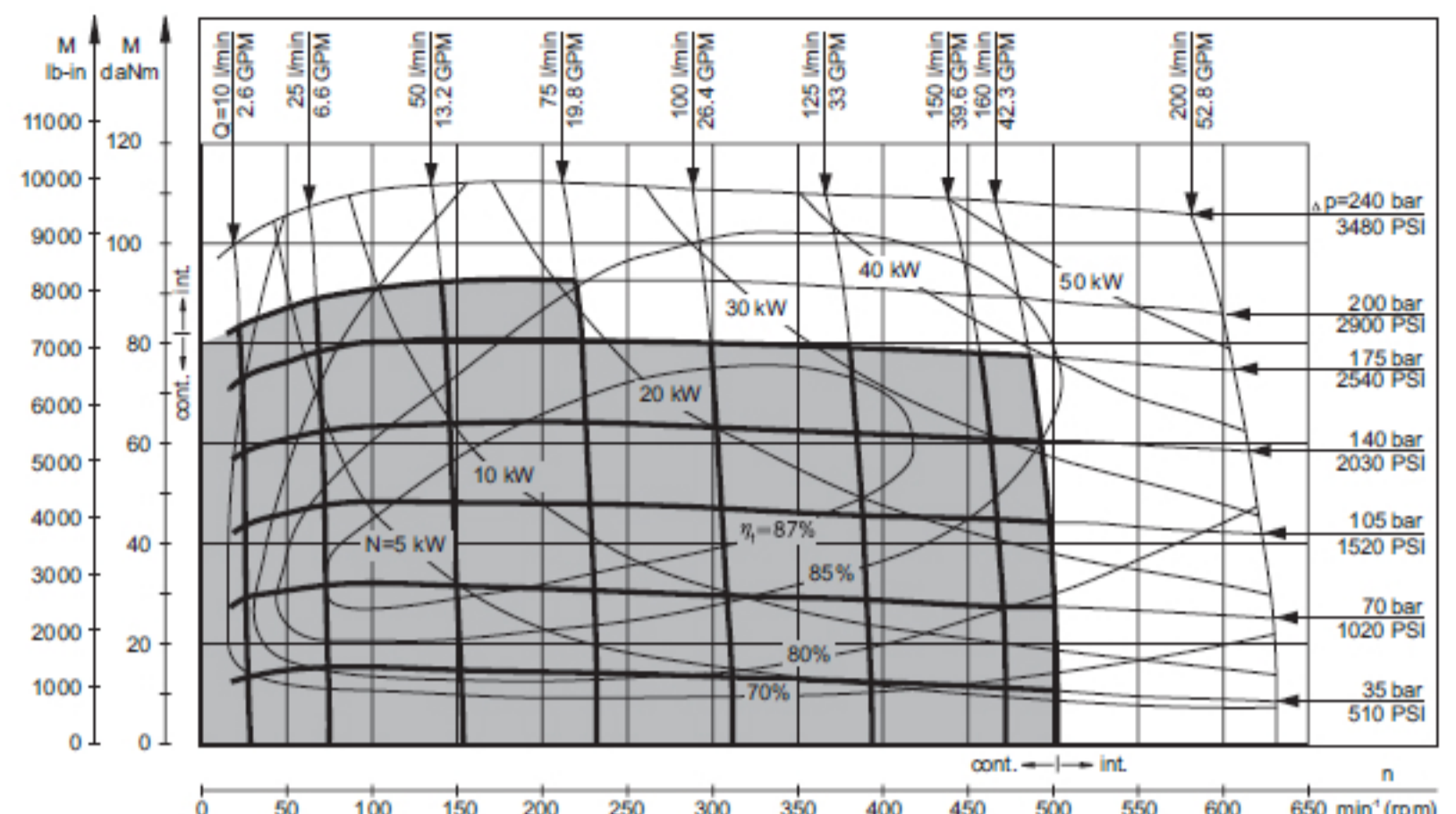


SPECIFICATION DATA

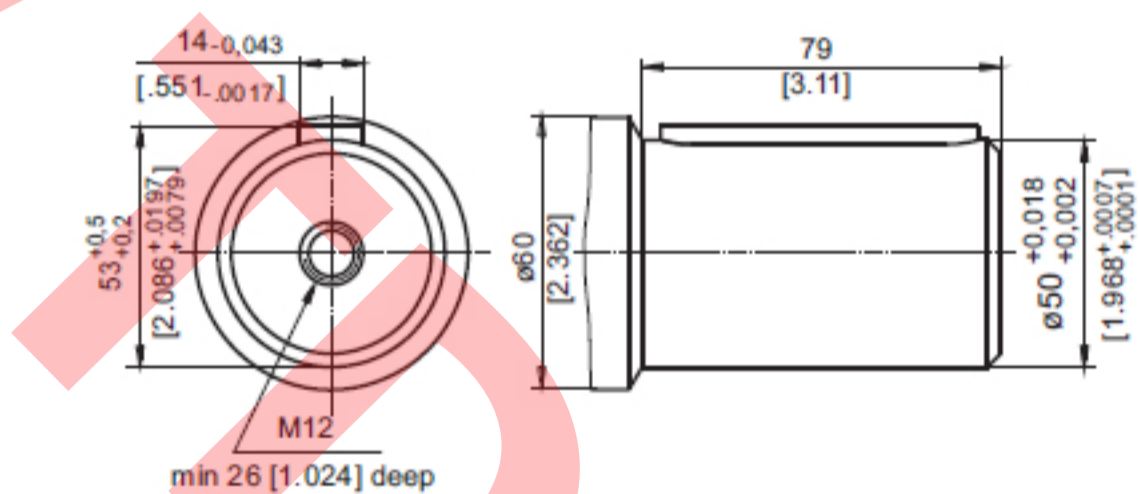
FUNCTION DIAGRAMS

Type		315
Displacement, cm ³ /rev [In ³ /rev]		314,5 [19.18]
Max. Speed, [RPM]	Cont.	510
	Int.*	630
Max. Torque daNm [lb-in]	Cont.	92 [8150]
	Int.*	111 [9800]
Max. Output kW [HP]	Cont.	42,5 [57]
	Int.*	51 [68.4]
Max. Pressure Drop bar [PSI]	Cont.	200 [2900]
	Int.*	240 [3480]
	Peak**	280 [4060]
Max. Oil Flow lpm [GPM]	Cont.	160 [42.3]
	Int.*	200 [52.8]
Max. Inlet Pressure bar [PSI]	Cont.	210 [3050]
	Int.*	250 [3620]
	Peak**	300 [4350]
Max. Return Pressure with Drain Line bar [PSI]	Cont.	140 [2040]
	Int.*	175 [2540]
	Peak**	210 [3050]
Max. Starting Pressure with Unloaded Shaft, bar [PSI]		8 [120]
Min. Starting Torque daNm [lb-in]	At max. press. drop Cont.	71 [6300]
	At max. press. drop Int.*	85 [7500]
Min. Speed***, [RPM]		10
Weight, kg [lb]	MV	31,8 [70.1]
	MVW	32,4 [71.4]
	MVS	22,7 [50]

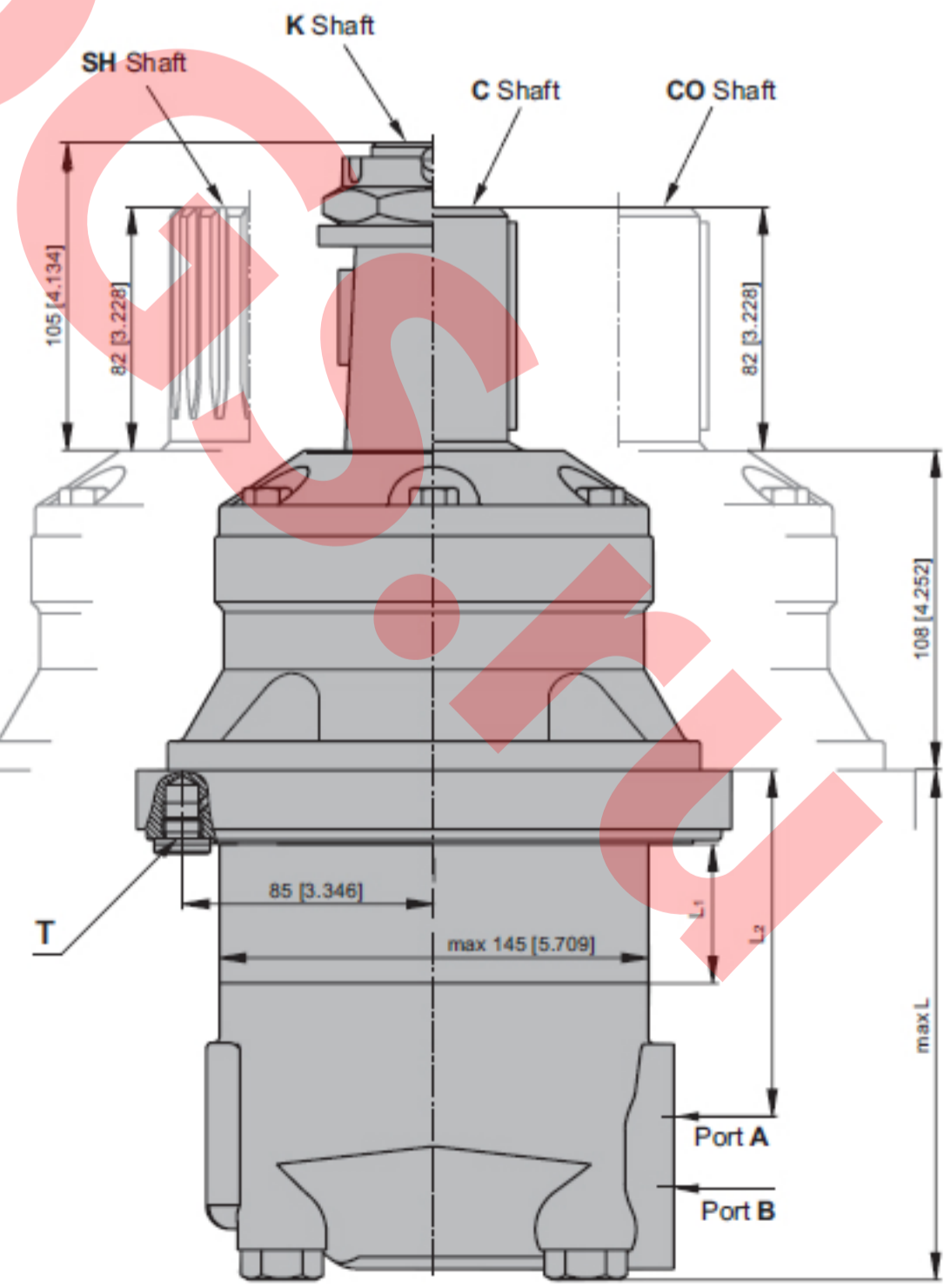
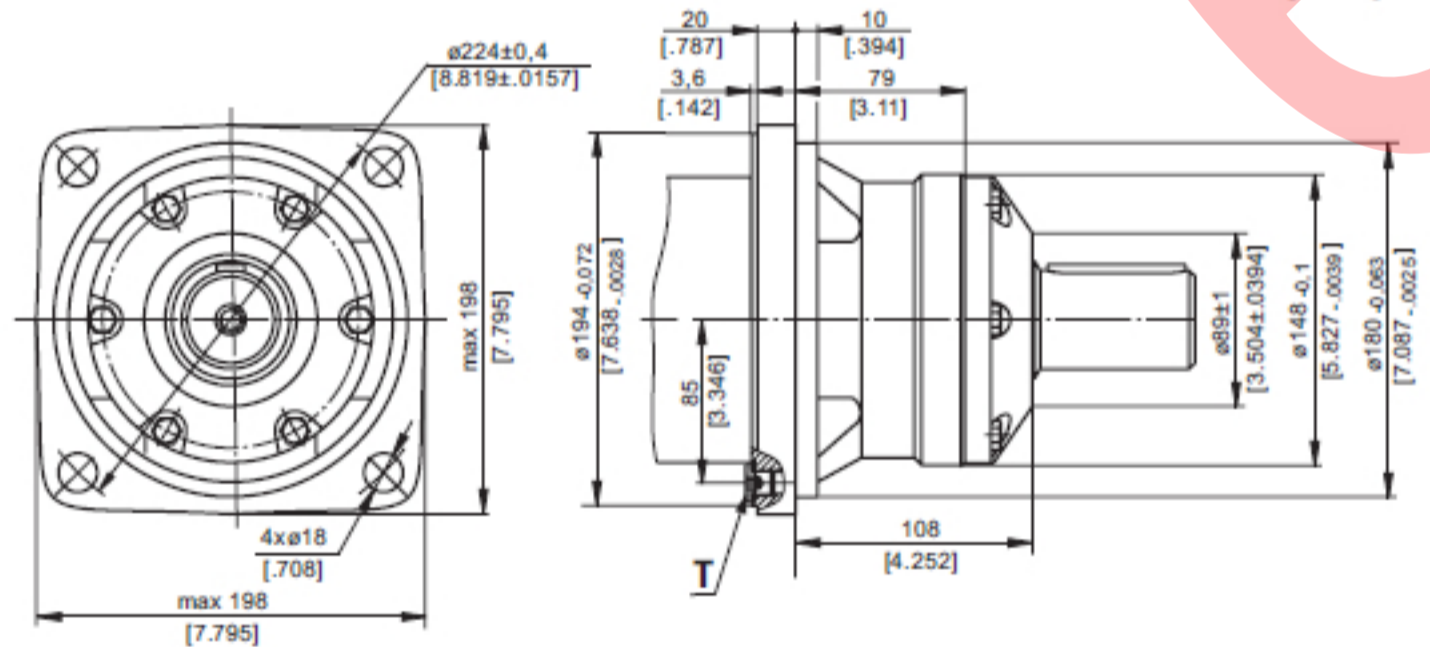
315



C - ø50 straight, Parallel key A14x9x70 DIN 6885

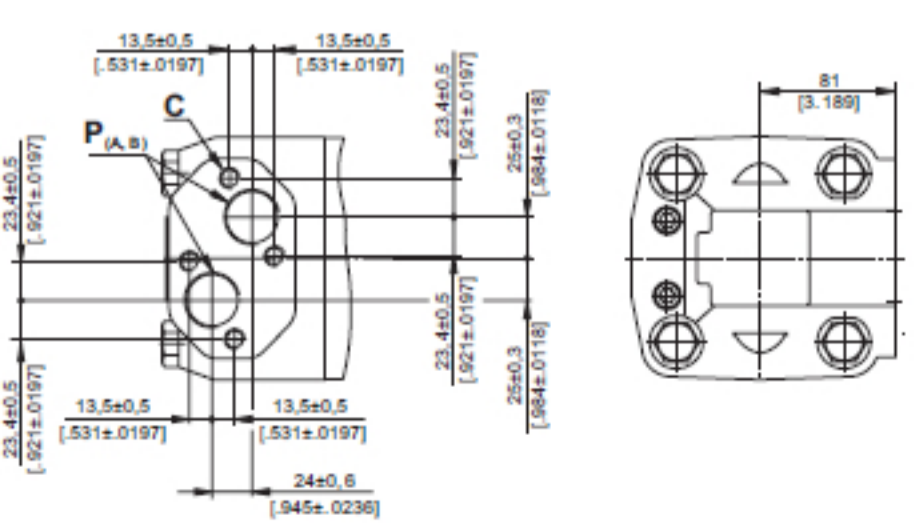


W Wheel Mount



PORTS

Side Ports



- C: 4xM12 - 12 mm [47 in] depth
 - P_(A,B): 2xG1 - 20 mm [79 in] depth
 - T: G 1/4 - 12 mm [47 in] depth
- Standard Rotation**
Viewed from Shaft End
Port A Pressurized - CW
Port B Pressurized - CCW
- Reverse Rotation**
Viewed from Shaft End
Port A Pressurized - CCW
Port B Pressurized - CW

Type	L, mm [in]	L2, mm [in]	*L1, mm [in]
MVW 315	146 [5.75]	92 [3.62]	22,0 [.87]