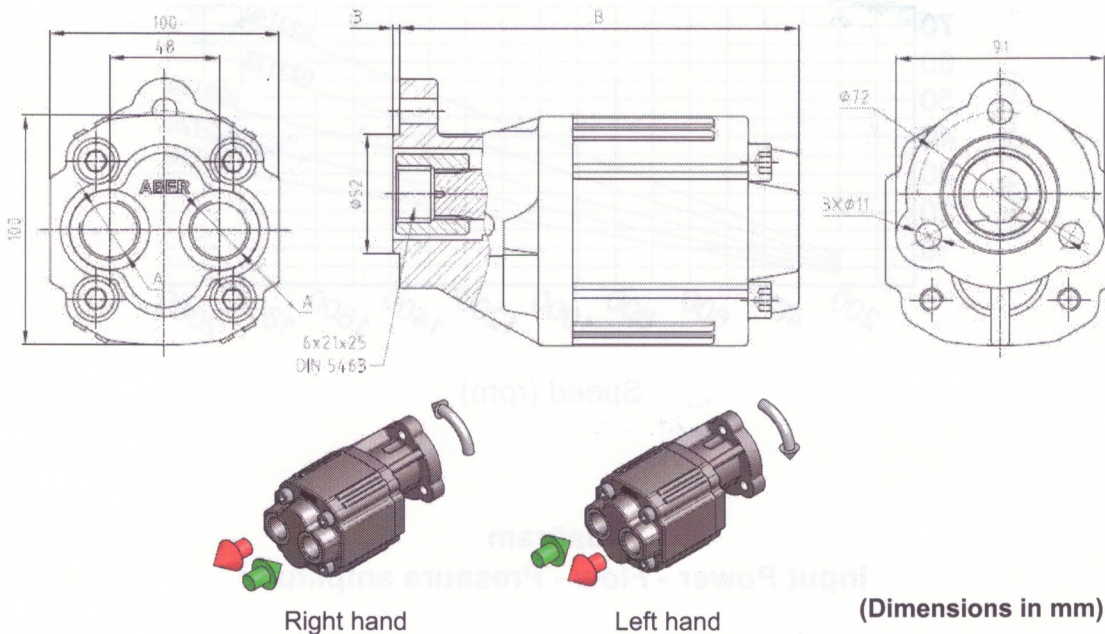


Main Dimensions



(Dimensions in mm)

Main Data

Pumps B23T	16	20	25	32	40
Cylinder capacity (cm ³ /rot.)	16.6	20.8	26	32.6	39.8
Rotation Máx. (r.p.m)	2000	2000	2000	1800	1800
Operating pressure (bar)(up to)	280	260	220	190	170
Peak pressure (bar)	325	290	260	220	200
Weight (kg)	5.3	5.8	6.1	6.6	6.8
Sense of Rotation	Bi-directional				
A - Inlet (BSP) / Outlet (BSP) (option)	3/4"	3/4"	3/4"	3/4"	3/4"
B	139	145.5	153.5	163.5	174.5

How to order:

Example: Pump 16L, operating pressure up to 280 bar; peak pressure 325 bar, ref.B23T → B23T16

Fluids	mineral oils type ISO HM or DIN 51524-2 HLP
Operating viscosity range	10 to 100 cSt (mm ² /s) at working temperature
Máx operating limits viscosity	750 cSt
Filtration	>200bar = 10µm <200bar = 25 µm
In the application of any of these pumps; the use of these data does not exempt the reading of the instruction "Gear pumps recommendations before start-up".	

ABER is constantly engaged in improving its products and, therefore, reserves itself the right to modify without any further notice the characteristics shown





Diagram
Flow / Speed

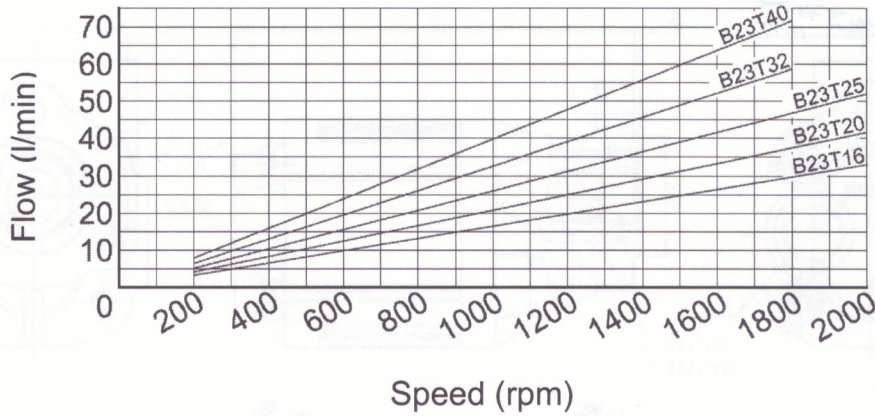
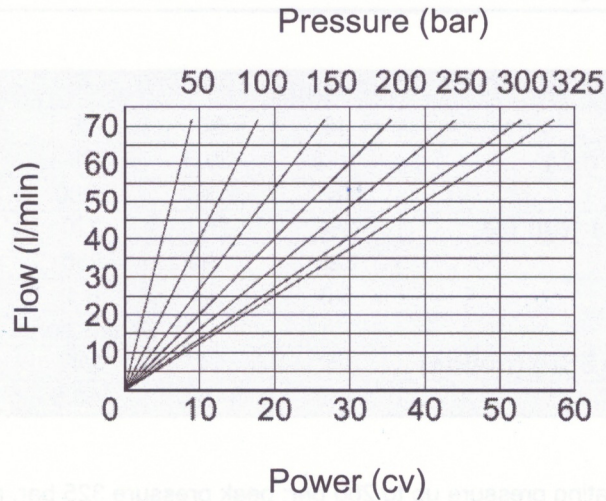


Diagram
Input Power - Flow - Pressure amplitude



Important notes:

- Other axis available, please consult "Axel options".

ABER is constantly engaged in improving its products and, therefore, reserves itself the right to modify without any further notice the characteristics shown

