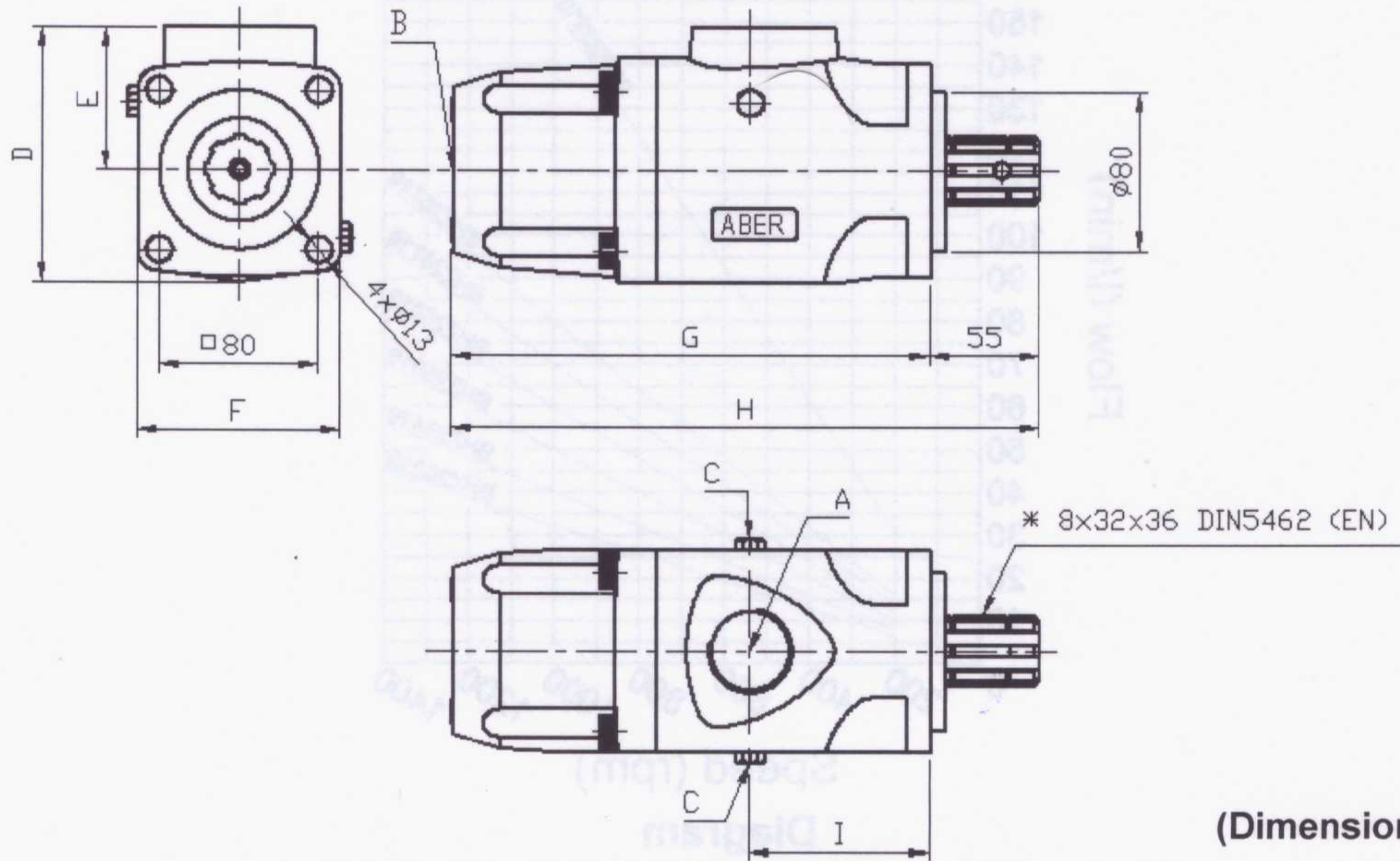


## Main Dimensions



### Main Data

Pumps BHZ	25319*	25419*	25519*	25619*	25716*	25719*	25916*
Cylinder capacity (cm <sup>3</sup> /rot.)	32	40	50	60	70	80	110
Output L/Min. (rot. Máx.)	45	56	70	84	98	112	154
Operating pressure (bar) (up to)	250	250	250	250	250	250	250
Peak pressure (bar)	320	320	320	320	320	320	320
Rotation Min.(r.p.m)	200	200	200	200	200	200	200
Rotation Máx. (r.p.m)	1400	1400	1400	1400	1400	1400	1000
Weight (kg)	12	12	13	13	16	16	21,5
Sense of Rotation	Bi-directional						
A-Oil inlet (BSP)	1"1/4	1"1/4	1"1/4	1"1/4	1"1/2	1"1/2	1"1/2
B-Oil Outlet (BSP)	3/4"	3/4"	3/4"	3/4"	1"	1"	1"
C	Oil drain Plug						
D	125	125	125	125	148	148	152
E	69	69	69	69	72	72	80
F	102	102	102	102	118	118	142
G	240	240	240	240	259	259	270
H	295	295	295	295	314	314	325
I	90	90	90	90	118	118	134

### How to order:

Example: Pump 32L, operating pressure up to 250 bar ;peak pressure 320 bar, ref. BHZ with DIN 5462 (EN)

→ BHZ25319 EN