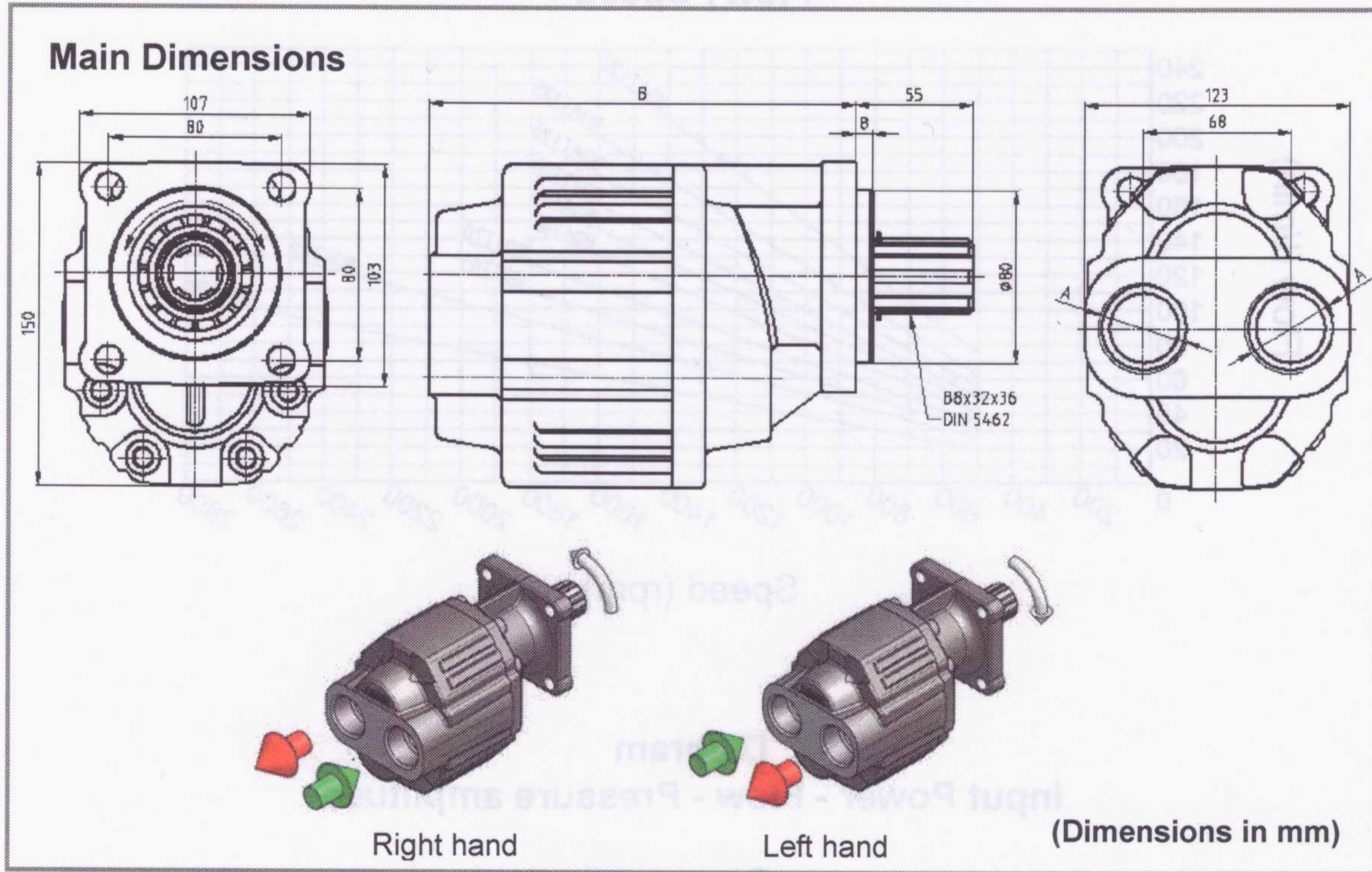




OII-HYDRAULIC GEAR PUMP

Ref. B34T



Main Data										
Pumps B34T	38	52	61	70	82	90	105	115	125	150
Cylinder capacity (cm ³ /rot.)	38	52	61	70	82	91	102	116	125	150
Rotation Máx. (r.p.m)	2800	2500	2000	2000	1800	1800	1800	1800	1800	1600
Operating pressure (bar)(up to)	280	280	260	250	250	250	250	250	240	210
Peak pressure (bar)	310	310	300	290	290	290	290	290	280	250
Weight (kg)	11.5	12.0	13.0	12.0	14.0	14.5	15.0	16.0	16.5	17.4
Sense of Rotation	Bi-directional									
A - Inlet (BSP) / Outlet (BSP)	3/4"		1"			1 1/4"				1 1/2"
B	170	178	185	191	198	204	210	220	226	239

How to order:

Example: Pump 38L, operating pressure up to 280 bar; peak pressure 310 bar, ref.B34T → B34T38

Note: Usually, used in frontal cylinders

Fluids	mineral oils type ISO HM or DIN 51524-2 HLP
Operating viscosity range	10 to 100 cSt (mm ² /s) at working temperature
Máx operating limits viscosity	750 cSt
Filtration	>200bar = 10µm <200bar = 25 µm
In the application of any of these pumps; the use of these data does not exempt the reading of the instruction "Gear pumps recommendations before start-up".	

ABER is constantly engaged in improving its products and, therefore, reserves itself the right to modify without any further notice the characteristics shown



ABER - Embraiagens e Comandos Hidráulicos - A. B. LDA

Rua Francisco de Almeida, N° 30 – Vila Nova da Telha – 4470 MAIA - Portugal

Telephone: +351.22.9438070 Fax: +351.22.9420823 e-mail: aber@aber.pt <http://www.aber.pt>