



## Power Take Offs

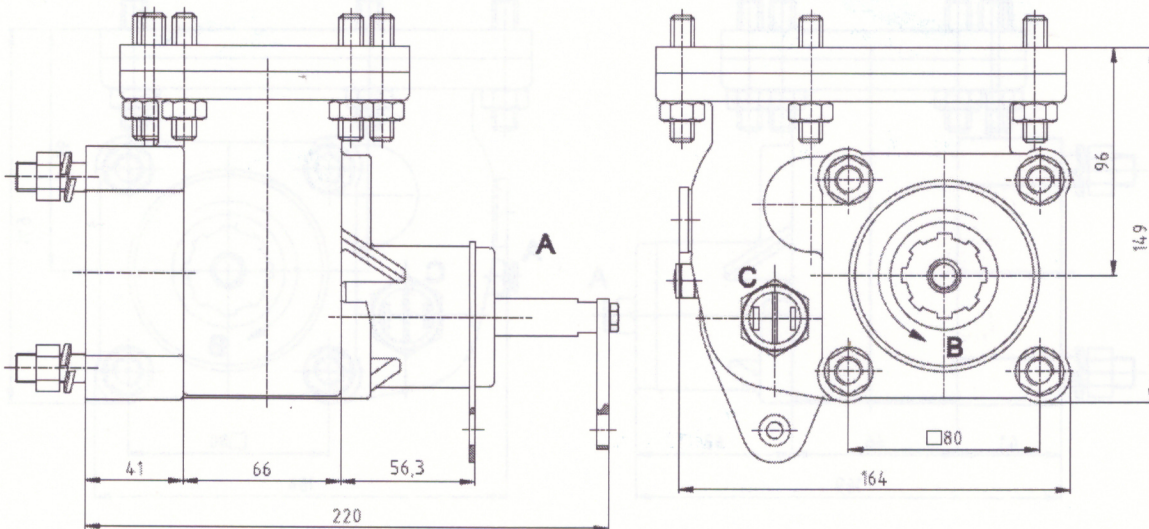
Ref. TF2007AM

**CANTER**

MO36S5 ; MO36S6 Mechanic Control

To apply with Gear Pumps or Piston Pumps

### Main Dimensions



A – Mechanic control

B – Pump rotation

C – Option: Electric sensor with mechanical driving Ref. 2007AMS

(Dimensions in mm)

### Main Data

Continuous Torque (Nm)	150
Intermittent Torque (Nm)	210
Power (at 1000 r.p.m)	21 H.P. / 16 Kw
Mounting Position	Left
Pump Rotation	Right Hand
Weight (Kg)	5.8
Engine to PTO ratio	1:0.43

### Observations:

- ✓ The ensemble can be supplied with an electric sensor (optional), it is an element which informs the driver if PTO is working or not, avoiding serious damages on PTO

CTI TF2007AM 0901-0

ABER is constantly engaged in improving its products and, therefore, reserves itself the right to modify without any further notice the characteristics shown

**ABER - Embraiagens e Comandos Hidráulicos - A. B. LDA**

Rua Francisco de Almeida, Nº 30 – Vila Nova da Telha – 4470 MAIA - Portugal

Telephone: +351.22.9438070 Fax: +351.22.9420823 e-mail: [aber@aber.pt](mailto:aber@aber.pt) <http://www.aber.pt>

1/1