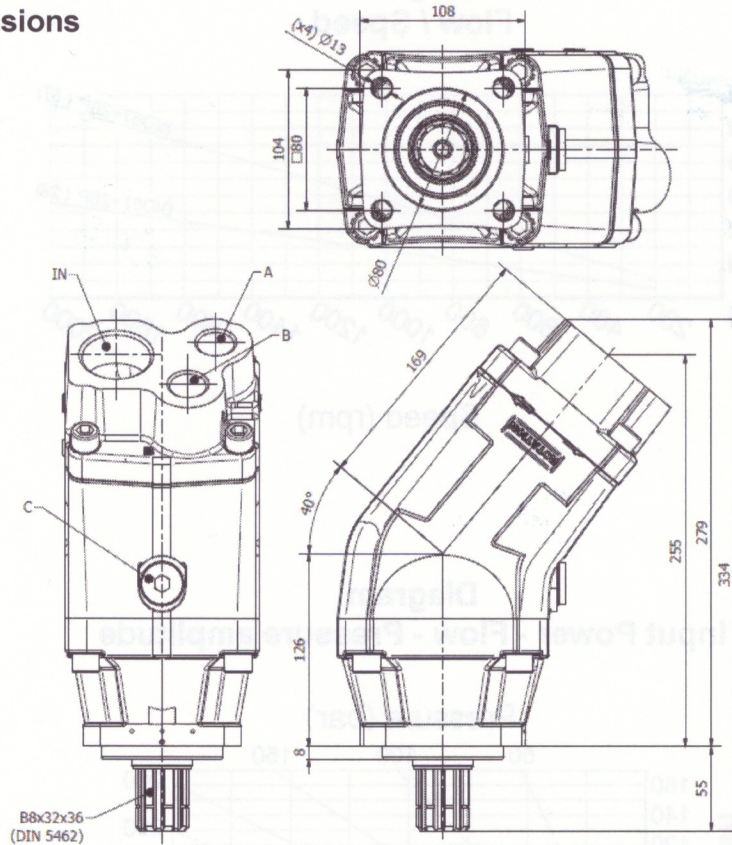




OIL-HYDRAULIC BENT PUMP AXIAL PISTONS

Ref. BID57+28P

Main Dimensions



(Dimensions in mm)

Main Data

Pumps BID	57+28P	
	A	B
Cylinder capacity (cm ³ /rot.)	57	28
Output L/Min. (rot. Máx.)	114	56
Operating pressure (bar) (up to)	350	
Peak pressure (bar)	400	
Operating Rotation (r.p.m)	1300	
Peak Rotation (r.p.m)	2000	
Weight (kg)	15	
Pistons Quantity	5 + 5	
IN-Oil inlet	1 1/2" BSP	
A-Oil outlet	3/4" BSP	
B-Oil outlet	3/4" BSP	
C	Drain hole	

How to order:

Example: Pump 57+28P, operating pressure up to 350 bar; peak pressure 400 bar, ref. BID → BID57+28P

ABER is constantly engaged in improving its products and, therefore, reserves itself the right to modify without any further notice the characteristics shown



ABER - Embraiagens e Comandos Hidráulicos - A. B. LDA
Rua Francisco de Almeida, Nº 30 – Vila Nova da Telha – 4470 MAIA - Portugal
Telephone: +351.22.9438070 Fax: +351.22.9420823 e-mail: aber@aber.pt <http://www.aber.pt>