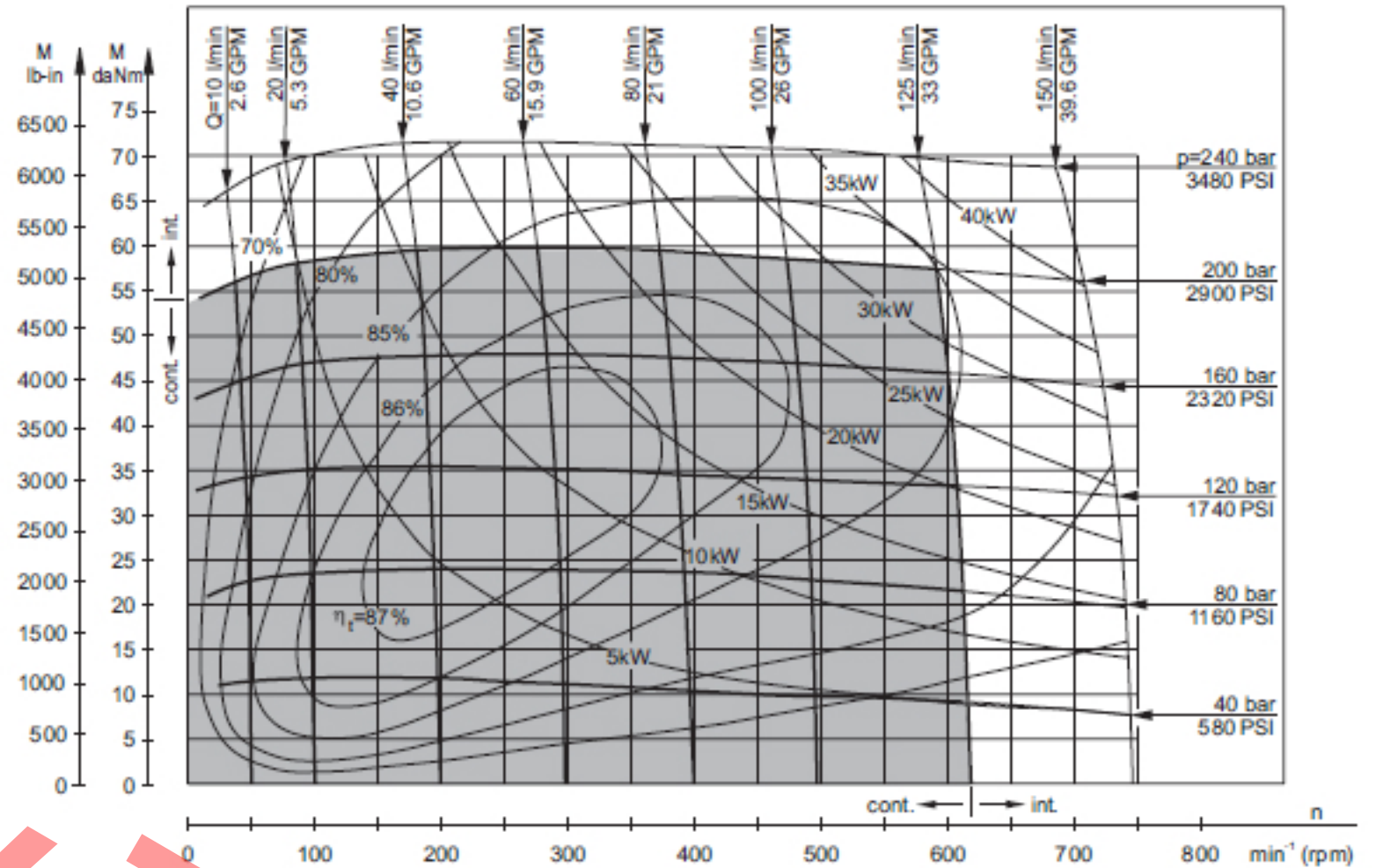


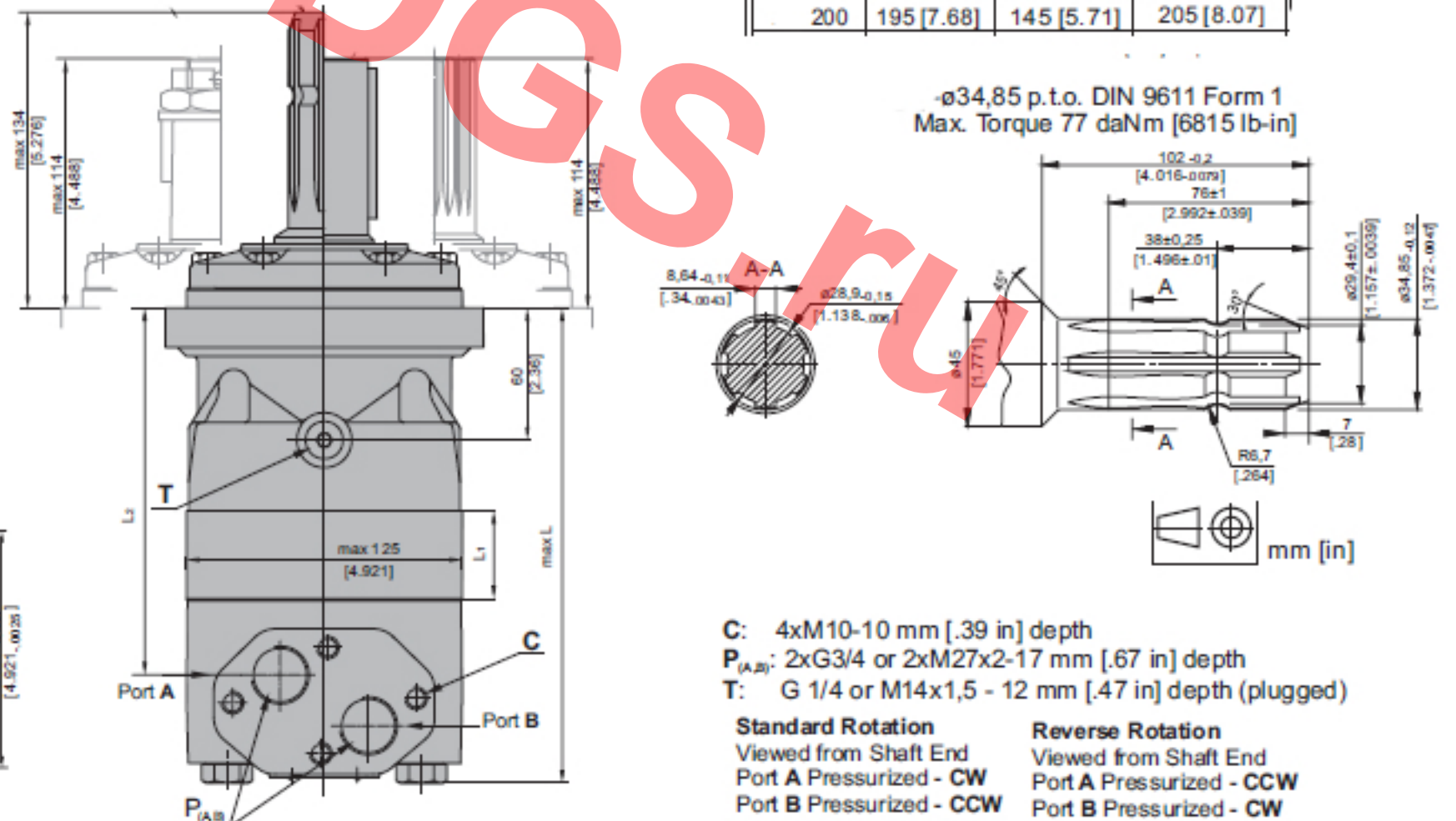
SPECIFICATION DATA

Type		
Displacement, cm ³ /rev [in ³ /rev]		201,4 [12.29]
Max. Speed, [RPM]	Cont.	620
	Int.*	752
Max. Torque daNm [lb-in]	Cont.	59 [5220]
	Int.*	71 [6285]
	Peak**	82 [7260]
Max. Output kW [HP]	Cont.	33,5 [45]
	Int.*	40 [54]
Max. Pressure Drop bar [PSI]	Cont.	200 [2900]
	Int.*	240 [3480]
	Peak**	280 [4050]
Max. Oil Flow lpm [GPM]	Cont.	125 [33]
	Int.*	150 [39.6]
Max. Inlet Pressure bar [PSI]	Cont.	210 [3050]
	Int.*	250 [3600]
	Peak**	300 [4350]
Max. Return Pressure with Drain Line bar [PSI]	Cont.	140 [2030]
	Int.*	175 [2540]
	Peak**	210 [3050]
Max. Starting Pressure with Unloaded Shaft, bar [PSI]		10 [150]
Min. Starting Torque daNm [lb-in]	At max. press. drop Cont.	43 [3800]
	At max. press. drop Int.*	52 [4600]
Min. Speed***, [RPM]		9
Weight, kg [lb] For Rear Ports +0,450 [.992]	W	22,5[49.6]
	S	15,5[34.2]
	V	11,5[25.4]



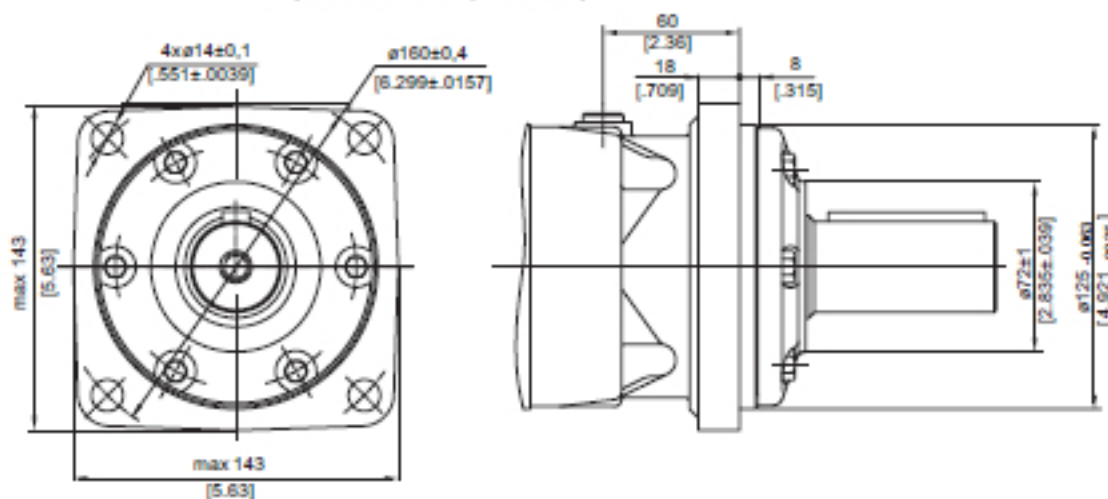
DIMENSIONS AND MOUNTING DATA

Type	L, mm [in]	L ₂ , mm [in]	**L _E , mm [in]
200	195 [7.68]	145 [5.71]	205 [8.07]



MOUNTING

Square Mount (4 Holes)



C: 4xM10-10 mm [.39 in] depth
P_(A,B): 2xG3/4 or 2xM27x2-17 mm [.67 in] depth
T: G 1/4 or M14x1,5 - 12 mm [.47 in] depth (plugged)

Standard Rotation
Viewed from Shaft End
Port A Pressurized - CW
Port B Pressurized - CCW

Reverse Rotation
Viewed from Shaft End
Port A Pressurized - CCW
Port B Pressurized - CW