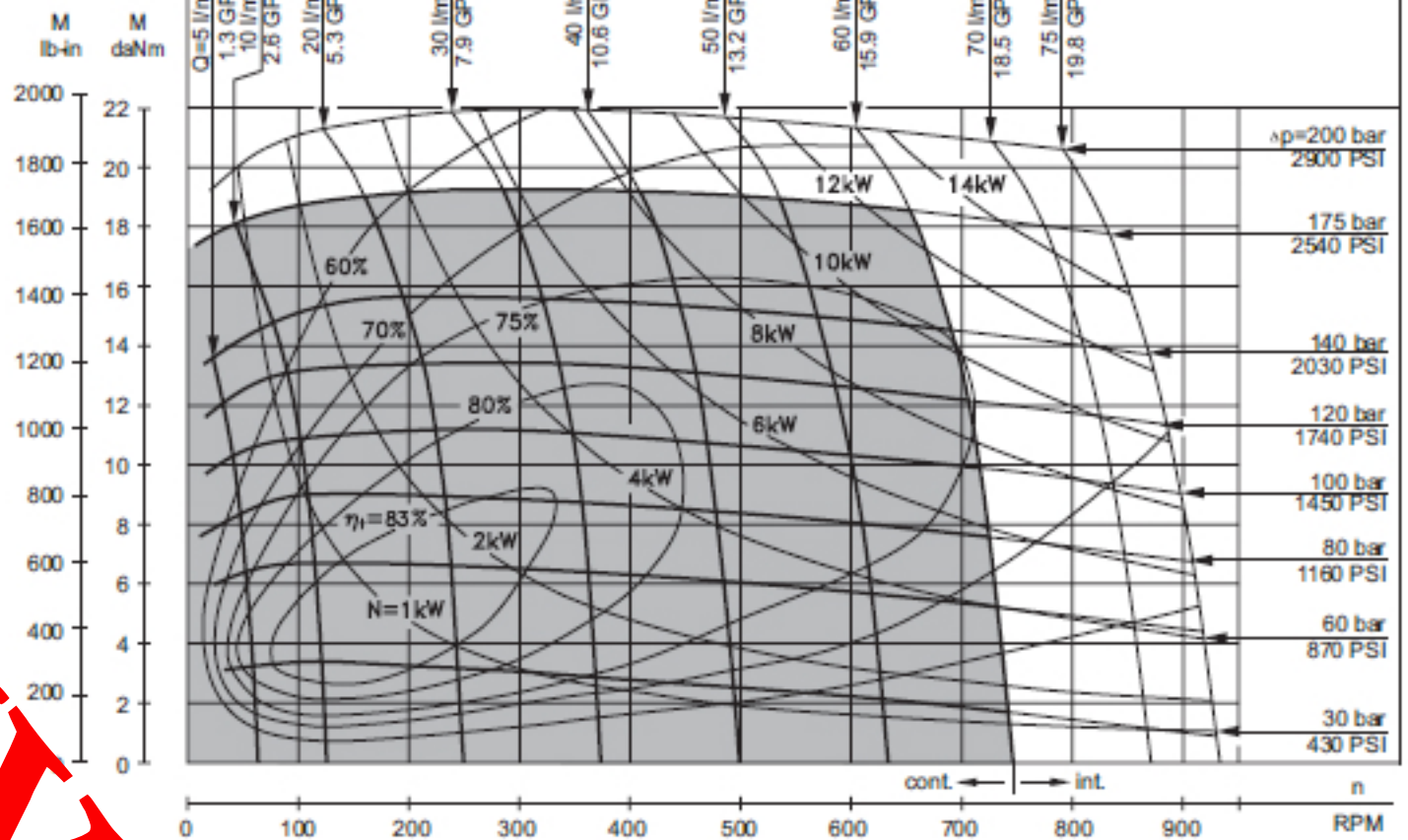


SPECIFICATION DATA

Type	MR 80
Displacement, cm ³ /rev [in ³ /rev]	80,3 [4.90]
Max. Speed [RPM]	Cont. 750 Int.* 940
Max. Torque daNm [in-lb]	Cont. 20 [1770] Int.* 22 [1947] Peak** 27 [2390]
Max. Output kW [HP]	Cont. 12,5 [17]
Max. Pressure Drop bar [PSI]	Cont. 175 [2540] Int.* 200 [2900] Peak** 225 [3260]
Max. Oil Flow lpm [GPM]	Cont. 60 [15,2] Int.* 75 [19,5]
Max. Inlet Pressure bar [PSI]	Cont. 175 [2540] Int.* 200 [2900] Peak** 225 [3260]
Max. Return Pressure with Drain Line bar [PSI]	Cont. 175 [2540] Int.* 200 [2900] Peak** 225 [3260]
Max. Starting Pressure with Unloaded Shaft, bar [PSI]	10 [145]
Min. Starting Torque daNm [in-lb]	At max. press. drop Cont. 15 [1330] At max. press. drop Int.* 17 [1505]
Min. Speed**, [RPM]	10
Weight, kg [lb]	MR(F) 6,9 [15,2] For rear ports: +0,650 [1.433] MRQ(N) 6,3 [13,9]

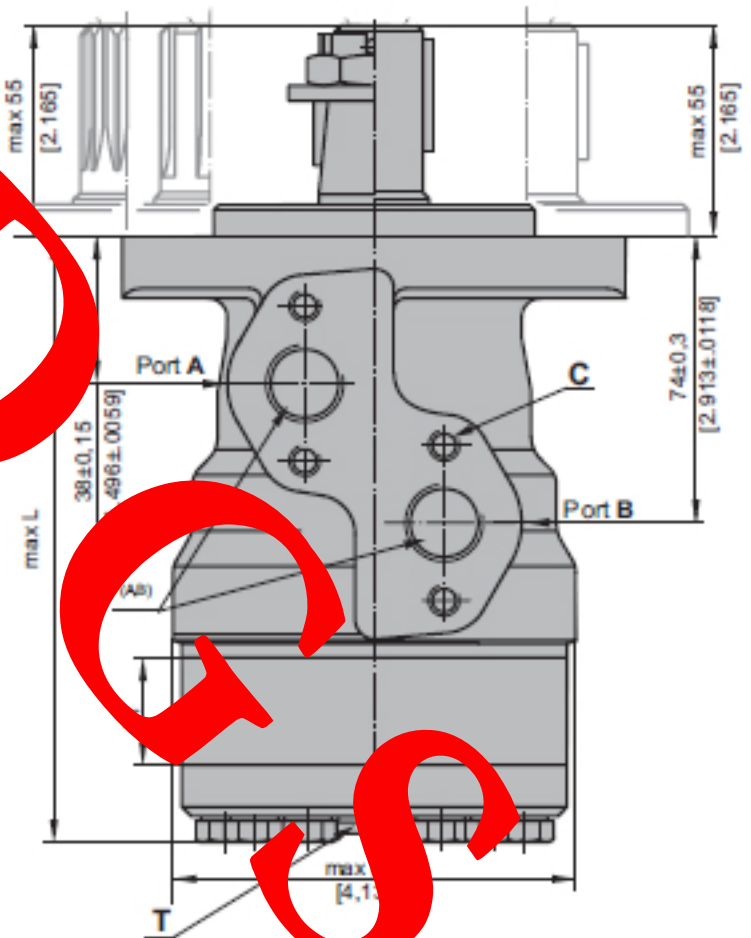
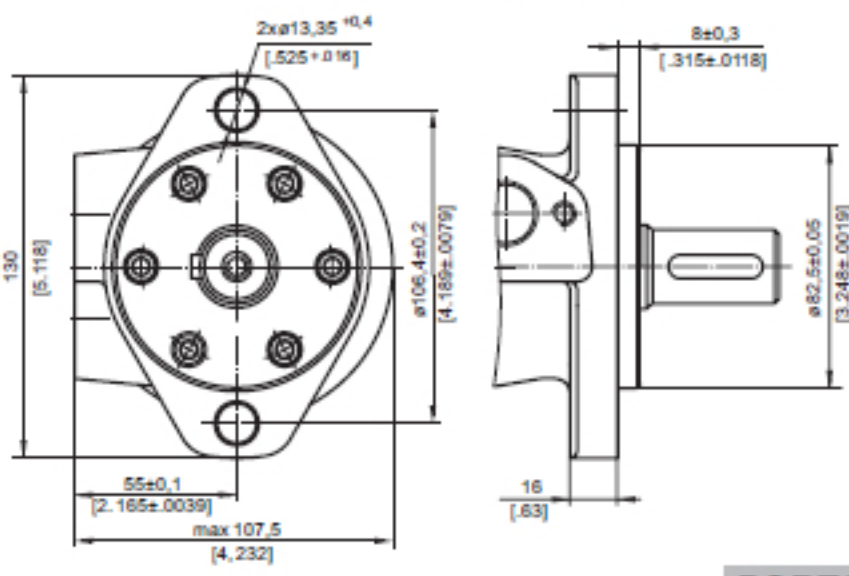


DIMENSIONS AND MOUNTING DATA

Type	mm [in]
MR(F) 80	143,0 [5.63]

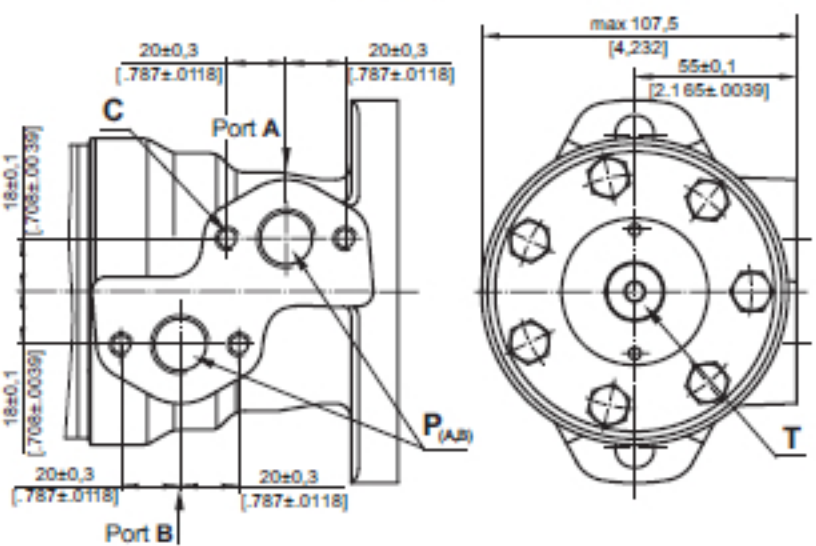
MOUNTING

Oval Mount (2 Holes)

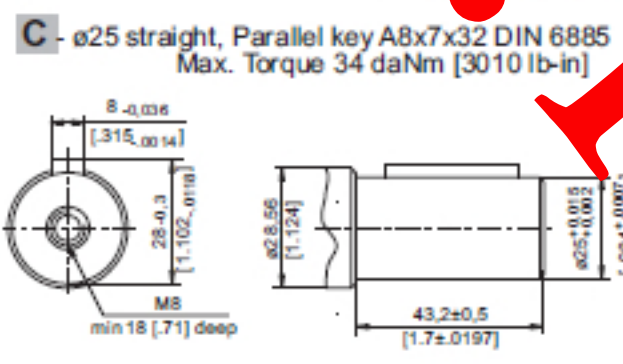


PORTS

Side Ports



SHAFT EXTENSIONS



- C : 4xM8 - 13 mm [.51 in] depth
- P_(A,B): 2xG 1/2 or 2xM22x1,5 - 15 mm [.59 in] depth
- T : G 1/4 or M14x1,5 - 12 mm [.47 in] depth (plugged)