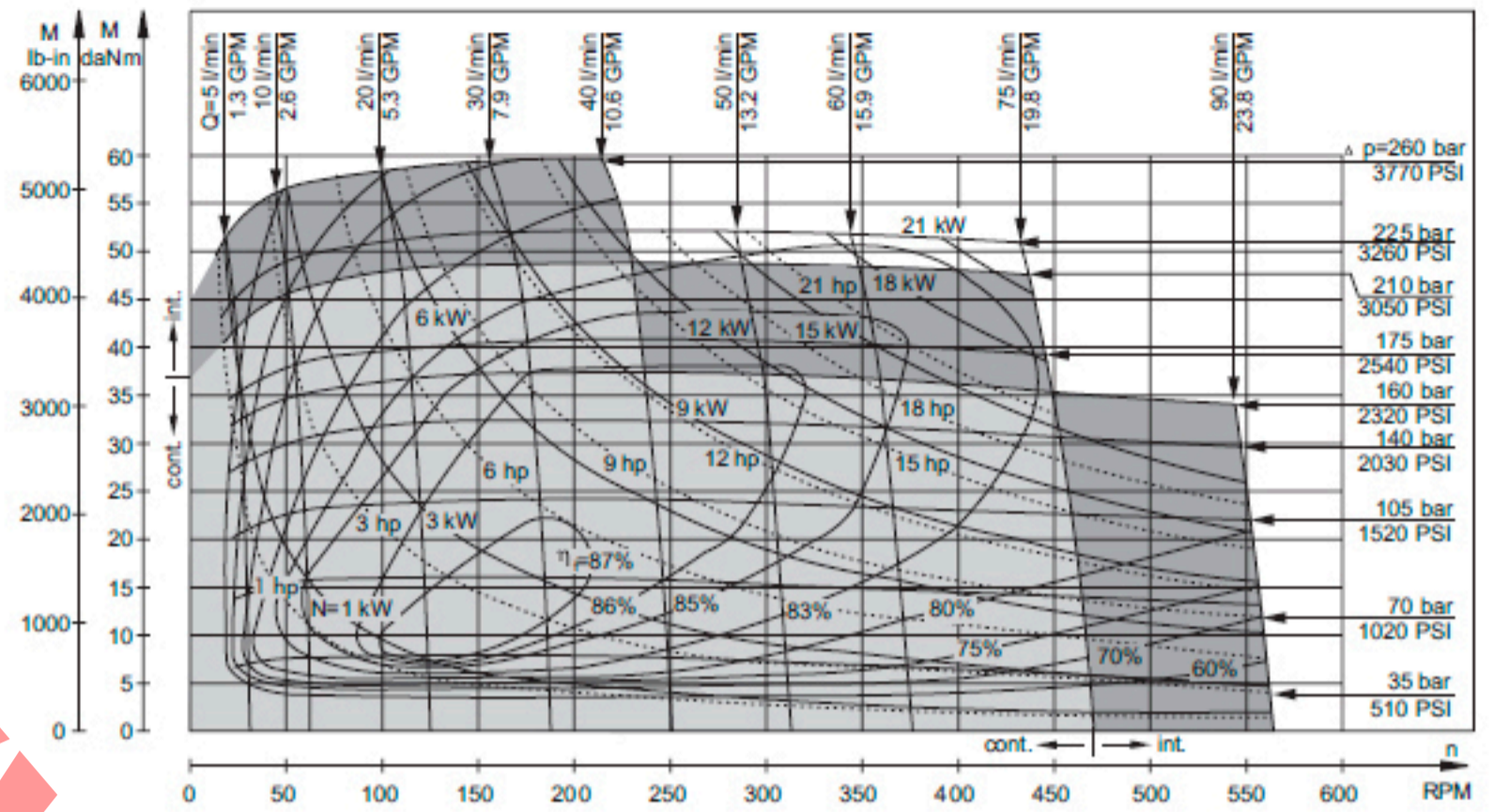


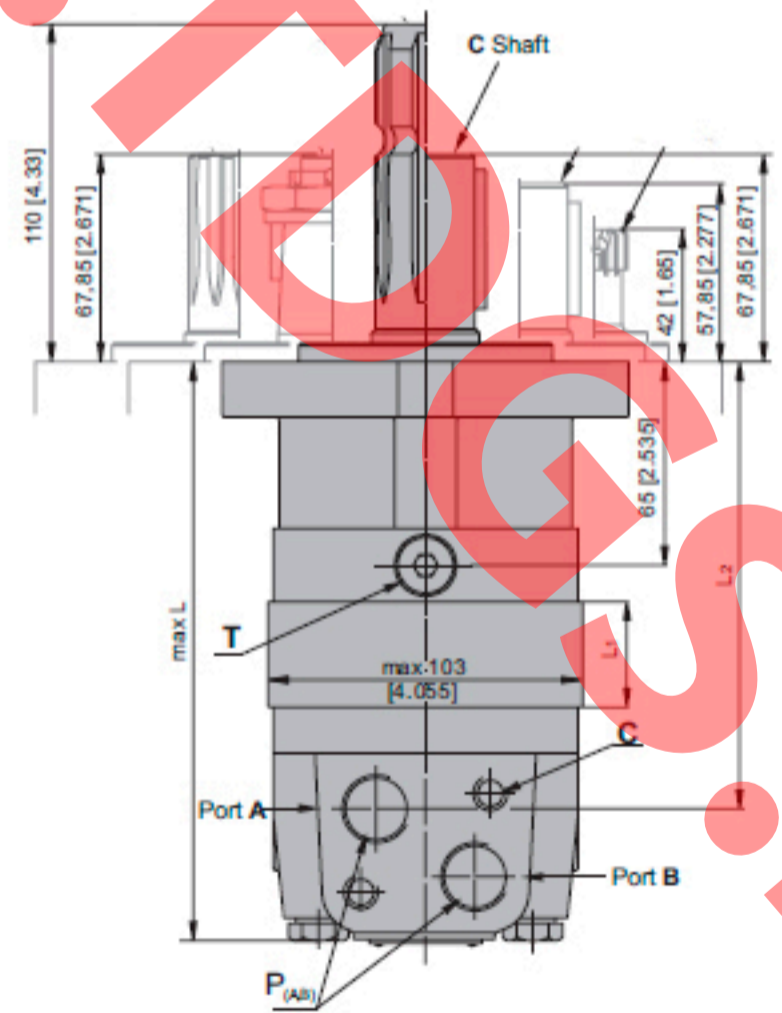
# SPECIFICATION DATA

# MS 160

Type		MS 160
Displacement, cm <sup>3</sup> /rev [in <sup>3</sup> /rev]		159,7 [9.74]
Max. Speed, [RPM]	cont.	470
	Int.*	560
Max. Torque daNm [lb-in]	cont.	49 [4340]
	Int.*	60 [5310]
Max. Output kW [HP]	cont.	16,5 [22.1]
	Int.*	23 [30.8]
Max. Pressure Drop bar [PSI]	cont.	210 [3050]
	Int.*	275 [3990]
	peak**	295 [4280]
Max. Oil Flow lpm [GPM]	cont.	75 [20]
	Int.*	90 [24]
Max. Inlet Pressure bar [PSI]	cont.	230 [3340]
	Int.*	295 [4280]
	peak**	300 [4350]
Max. Return Pressure with Drain Line bar [PSI]	cont.	140 [2030]
	Int.*	175 [2540]
	peak**	210 [3050]
Max. Starting Pressure with Unloaded Shaft, bar [PSI]		8 [115]
Min. Starting Torque daNm [lb-in]	at max. press. drop cont.	37 [3270]
	at max. press. drop Int.*	46 [4070]
Min. Speed***, [RPM]		8
Weight, kg [lb]	MS(F)	10,8 [23.8]
	MSW	11,3 [24.6]
	MSS	8,8 [19.4]
	MSV	6,7 [14.8]
	MSQ	11,2 [24.7]
	MSB	17,8 [39.2]
For Rear Ports + 0,40 [.88]		



## DIMENSIONS AND MOUNTING DATA



Type	L, mm[in.]	L <sub>2</sub> , mm[in.]	*L <sub>e</sub> , mm[in.]
MS(F,A) 160	182 [7.17]	138 [5.43]	187 [7.36]

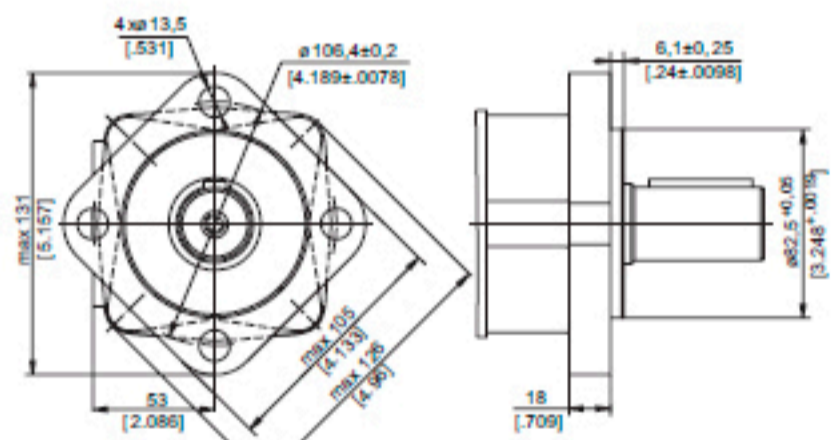
**C** - ø32 straight, Parallel key A10x8x45 DIN 6885  
Max. Torque 77 daNm [6815 lb-in]

**C**: 2xM10-12 mm [.47 in] depth  
**P<sub>(AB)</sub>**: 2xG1/2 or 2xM22x1,5-15 mm [.59 in] depth  
**T**: G ¼ or M14x1,5- 12 mm [.47 in] depth (plugged)

**Standard Rotation**  
 Viewed from Shaft End  
 Port A Pressurized - CW  
 Port B Pressurized - CCW

**Reverse Rotation**  
 Viewed from Shaft End  
 Port A Pressurized - CCW  
 Port B Pressurized - CW

### SAE A-4 Mount (4 Holes)



### Side Ports

