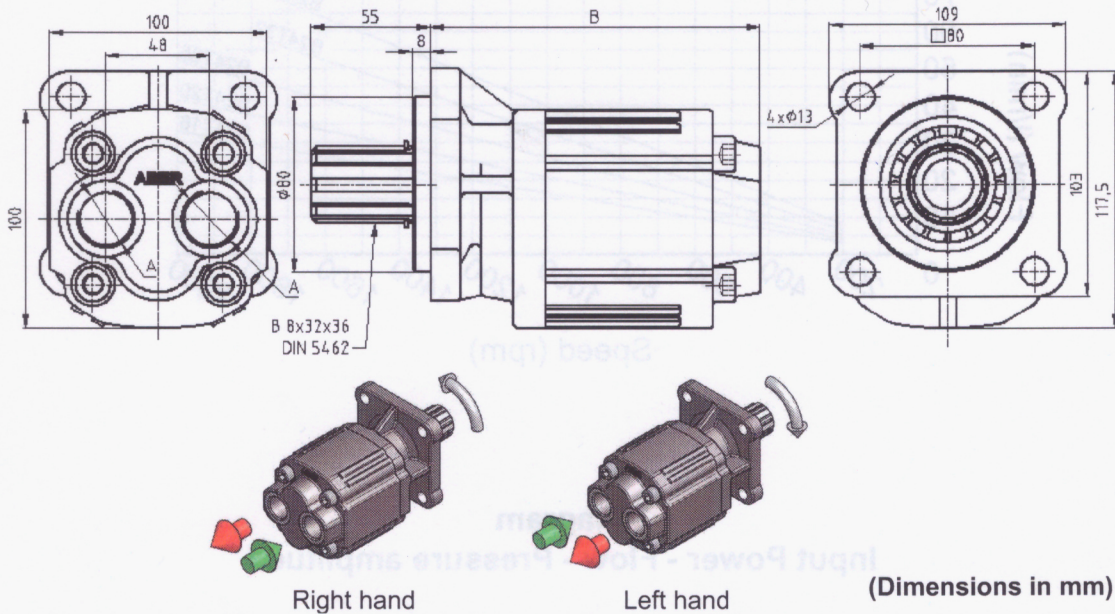




OIL-HYDRAULIC GEAR PUMP

Ref. B24T

Main Dimensions



Main Data

| Pumps B24T | 16 | 20 | 25 | 32 | 40 |
|---|----------------|------|------|------|------|
| Cylinder capacity (cm ³ /rot.) | 16.6 | 20.8 | 26 | 32.6 | 39.8 |
| Rotation Máx. (r.p.m) | 2000 | 2000 | 2000 | 1800 | 1800 |
| Operating pressure (bar)(up to) | 280 | 260 | 220 | 190 | 170 |
| Peak pressure (bar) | 325 | 290 | 260 | 220 | 200 |
| Weight (kg) | 5.8 | 6.3 | 6.6 | 7.1 | 7.3 |
| Sense of Rotation | Bi-directional | | | | |
| A - Inlet (BSP) / Outlet (BSP) (option) | 3/4" | 3/4" | 3/4" | 3/4" | 3/4" |
| B | 116.5 | 123 | 131 | 141 | 152 |

How to order:

Example: Pump 16L, operating pressure up to 280 bar; peak pressure 325 bar, ref.B24T → B24T16

| | |
|--------------------------------|---|
| Fluids | mineral oils type ISO HM or DIN 51524-2 HLP |
| Operating viscosity range | 10 to 100 cSt (mm ² /s) at working temperature |
| Máx operating limits viscosity | 750 cSt |
| Filtration | >200bar = 10µm <200bar = 25 µm |

In the application of any of these pumps; the use of these data does not exempt the reading of the instruction "Gear pumps recommendations before start-up".

ABER is constantly engaged in improving its products and, therefore, reserves itself the right to modify without any further notice the characteristics shown



ABER - Embragens e Comandos Hidráulicos - A. B. LDA
 Rua Francisco de Almeida, N° 30 – Vila Nova da Telha – 4470 MAIA - Portugal
 Telephone: +351.22.9438070 Fax: +351.22.9420823 e-mail: aber@aber.pt <http://www.aber.pt>



Diagram Flow / Speed

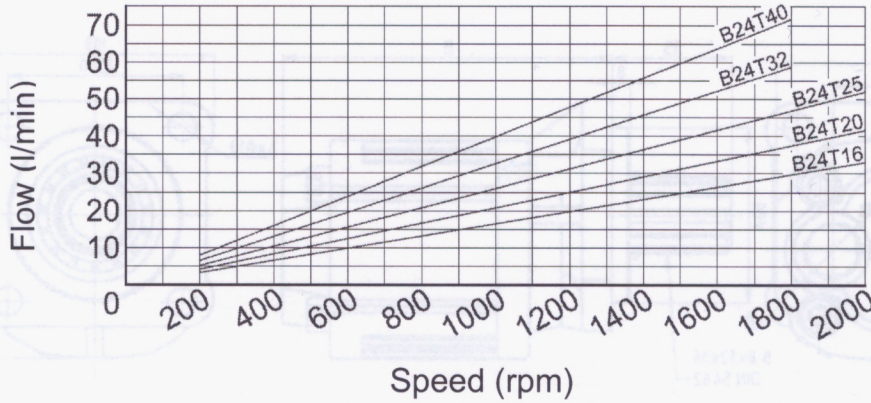
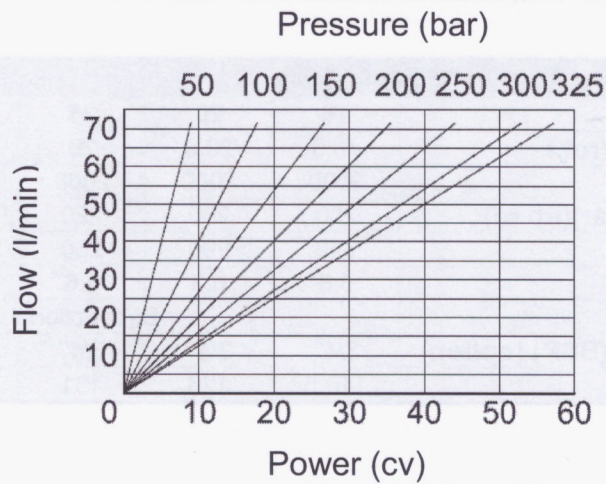


Diagram Input Power - Flow - Pressure amplitude



Important notes:

- Other axis available, please consult "Axel options".

ABER is constantly engaged in improving its products and, therefore, reserves itself the right to modify without any further notice the characteristics shown



ABER - Embragens e Comandos Hidráulicos - A. B. LDA

Rua Francisco de Almeida, N° 30 - Vila Nova da Telha - 4470 MAIA - Portugal

Telefone: +351.22.9438070 Fax: +351.22.9420823 e-mail: aber@aber.pt <http://www.aber.pt>