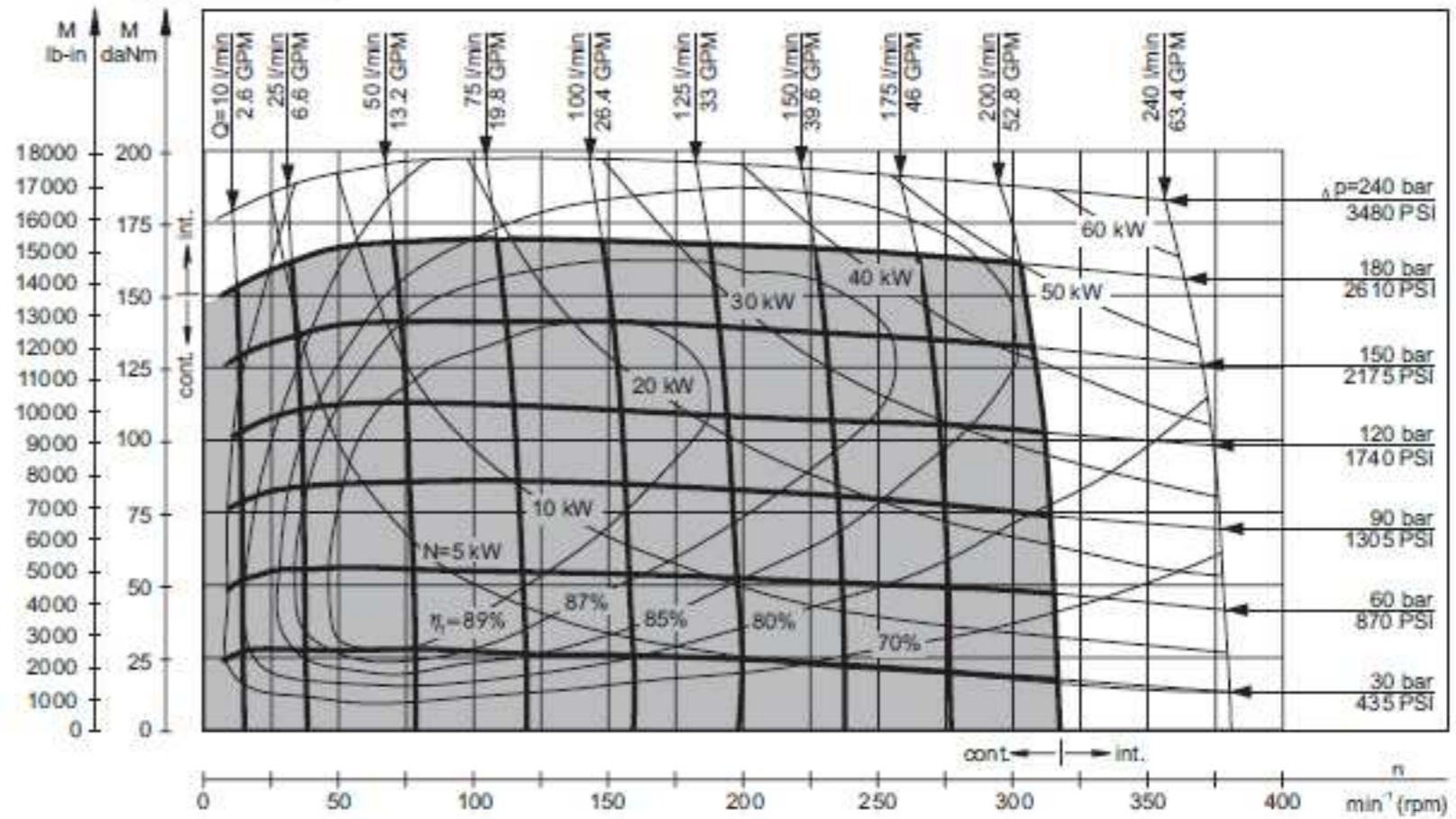


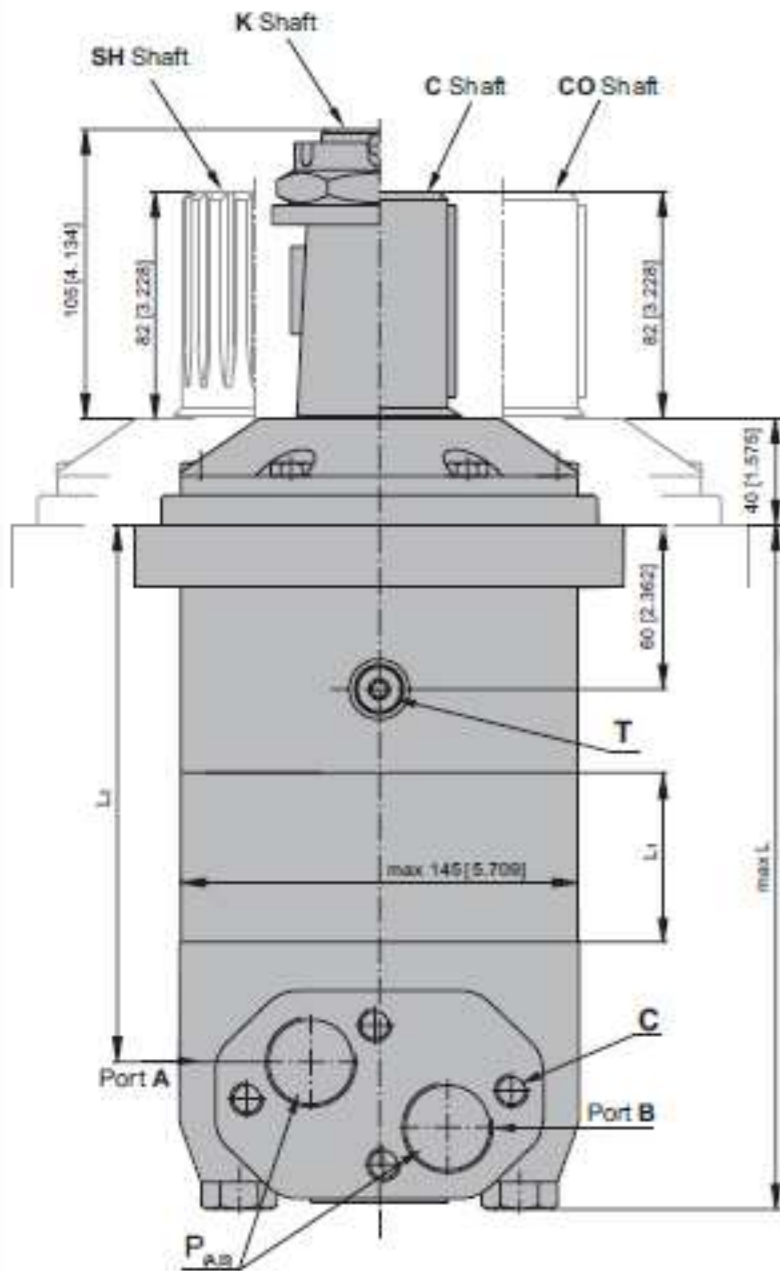
SPECIFICATION DATA

Type		MV 630
Displacement, cm ³ /rev [in ³ /rev]		629,1 [38.38]
Max. Speed, [RPM]	Cont.	320
	Int.*	380
Max. Torque daNm [lb-in]	Cont.	166 [14700]
	Int.*	194 [17150]
	Peak**	221 [19550]
Max. Output kW [HP]	Cont.	48 [64.4]
	Int.*	56 [75]
Max. Pressure Drop bar [PSI]	Cont.	180 [2610]
	Int.*	210 [3050]
	Peak**	240 [3480]
Max. Oil Flow lpm [GPM]	Cont.	200 [52.8]
	Int.*	240 [63.4]
Max. Inlet Pressure bar [PSI]	Cont.	210 [3050]
	Int.*	250 [3620]
	Peak**	300 [4350]
Max. Return Pressure with Drain Line bar [PSI]	Cont.	140 [2040]
	Int.*	175 [2540]
	Peak**	210 [3050]
Max. Starting Pressure with Unloaded Shaft, bar [PSI]		8 [120]
Min. Starting Torque daNm [lb-in]	At max. press. drop Cont.	133 [11800]
	At max. press. drop Int.*	155 [13700]
Min. Speed**, [RPM]		6
Weight, kg [lb]	MV	34,9 [76.9]
	MVW	35,5 [78.3]
	MVS	25,6 [56.4]

MV 630



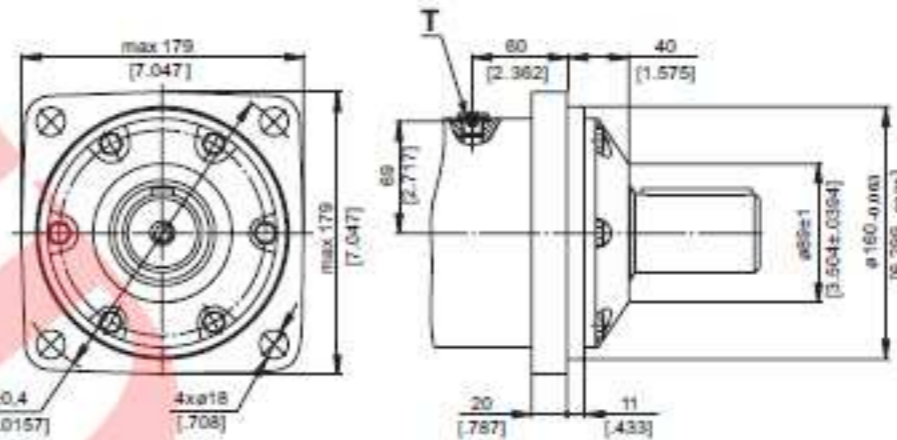
DIMENSIONS AND MOUNTING DATA - MV



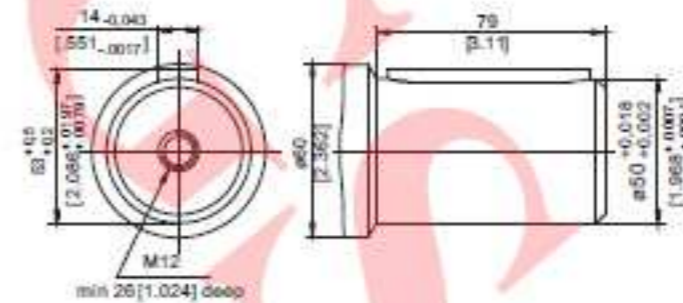
Type	L, mm [in]	L2, mm [in]
MV 630	240,0 [9.45]	186 [7.32]

MOUNTING

Square Mount (4 Holes)

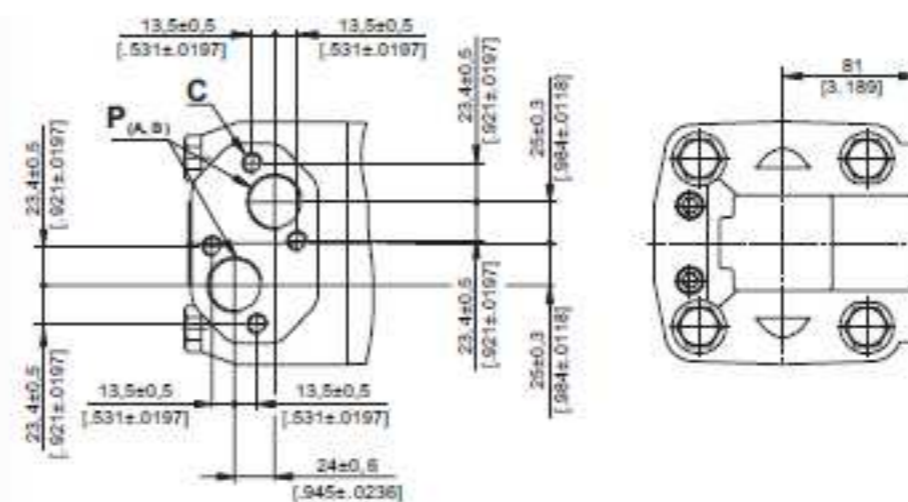


C - ø50 straight, Parallel key A14x9x70 DIN 6885



PORTS

Side Ports



- C: 4xM12 - 12 mm [0.47 in] depth
- P_{A,B}: 2xG1 - 20 mm [0.79 in] depth
- T: G 1/4 - 12 mm [0.47 in] depth

Standard Rotation
Viewed from Shaft End
Port A Pressurized - CW
Port B Pressurized - CCW

Reverse Rotation
Viewed from Shaft End
Port A Pressurized - CCW
Port B Pressurized - CW