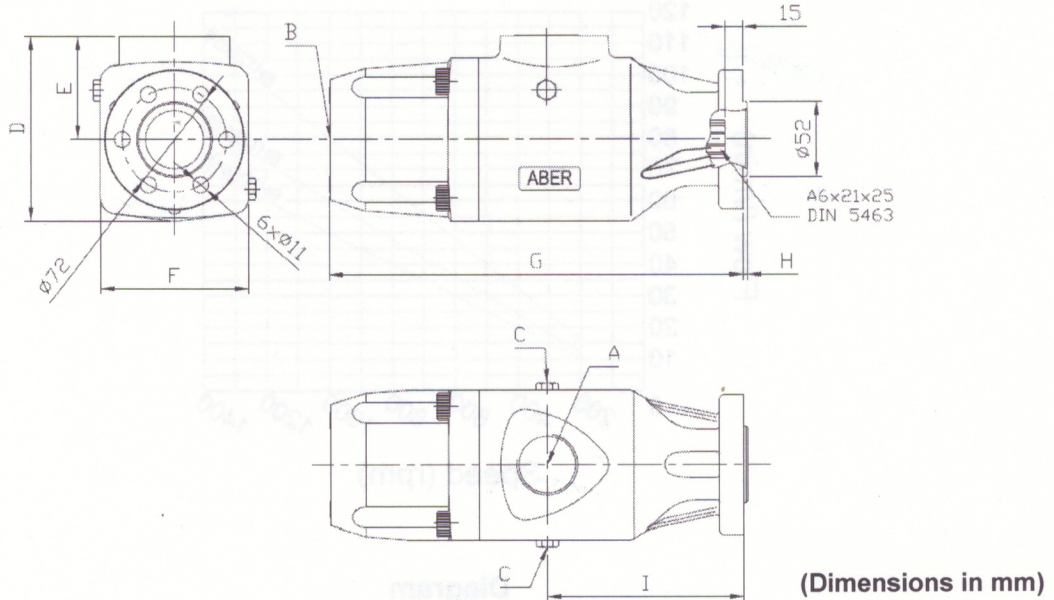


# OIL-HYDRAULIC PUMP AXIAL PISTONS

Ref. BHT\_UNI

## Main Dimensions



(Dimensions in mm)

## Main Data

Pumps BHT_UNI	25519*	25619*	22819*
Cylinder capacity (cm <sup>3</sup> /Rot.)	50	60	80
Output L/Min. (rot. Máx.)	70	84	112.0
Operating pressure (bar)	up to 320	up to 320	up to 320
Peak pressure (bar)	370	370	370
Rotation Min. (r.p.m)	200	200	200
Rotation Máx. (r.p.m)	1400	1400	1400
Weight (kg)	14	14	18
Sense of Rotation	Bi-directional		
A-Oil inlet	1"1/4 BSP	1"1/4 BSP	1"1/2 BSP
B-Oil Outlet	3/4" BSP	3/4" BSP	1" BSP
C	Oil drain plug		
D	125	125	148
E	69	69	72
F	102	102	118
G	285	285	302
H	3	3	3
I	135	135	161

### How to order:

**Example:** Pump 50L, operating pressure up to 320 bar ;peak pressure 370 bar ref. BHT with DIN 5463 (UNI)  
→ BHT25619UNI

ABER is constantly engaged in improving its products and, therefore, reserves itself the right to modify without any further notice the characteristics shown



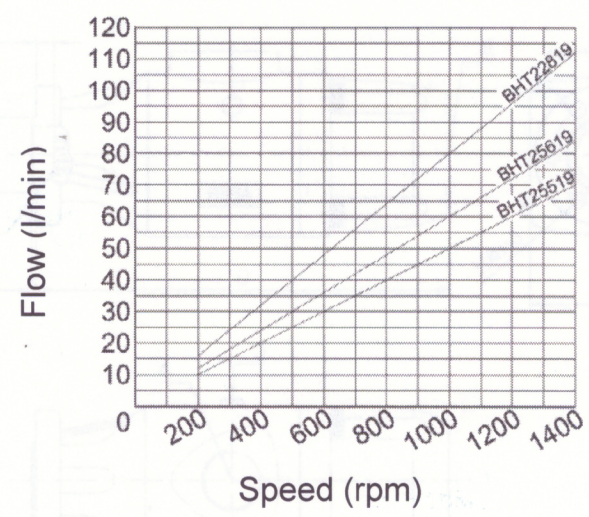
**ABER - Embraiagens e Comandos Hidráulicos - A. B. LDA**  
Rua Francisco de Almeida, N° 30 – Vila Nova da Telha – 4470 MAIA - Portugal  
Telephone: +351.22.9438070 Fax: +351.22.9420823 e-mail: [aber@aber.pt](mailto:aber@aber.pt) <http://www.aber.pt>



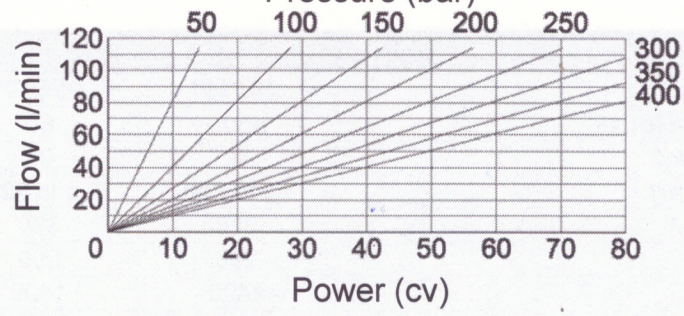
# OIL-HYDRAULIC PUMP AXIAL PISTONS

Ref. BHT\_UNI

### Diagram Flow / Speed

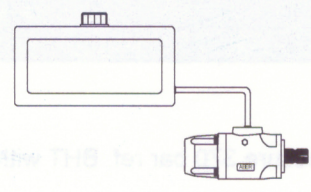


### Diagram Input Power - Flow - Pressure amplitude



#### IMPORTANT NOTES:

- ✓ Other axis available, please consult "Axel options"
- ✓ Diameter of inlet pipes lower than indicated in our technical catalogues as well as a poor sealing can cause cavitation phenomenon to occur, thereby deteriorating the pump
- ✓ Keep up the deposit above pump level
- ✓ Used always return filters. We recommend filters with mesh equal to or lower than 25 µm
- ✓ The connection of inlet pipes in the pump, can be done by threading or flange and the sealing by orring
- ✓ Use a good quality mineral hydraulic-oil with viscosity at operating temperature between 20 and 46 cSt
- ✓ Fill the oil tank to 85% of its maximum capacity (the remainder 15% must not have oil)



Keep up the deposit above pump level

CTI BHT\_UNI 1201-1

ABER is constantly engaged in improving its products and, therefore, reserves itself the right to modify without any further notice the characteristics shown



**ABER - Embragaens e Comandos Hidráulicos - A. B. LDA**  
 Rua Francisco de Almeida, N° 30 - Vila Nova da Telha - 4470 MAIA - Portugal  
 Telefone: +351.22.9438070 Fax: +351.22.9420823 e-mail: [aber@aber.pt](mailto:aber@aber.pt) <http://www.aber.pt>