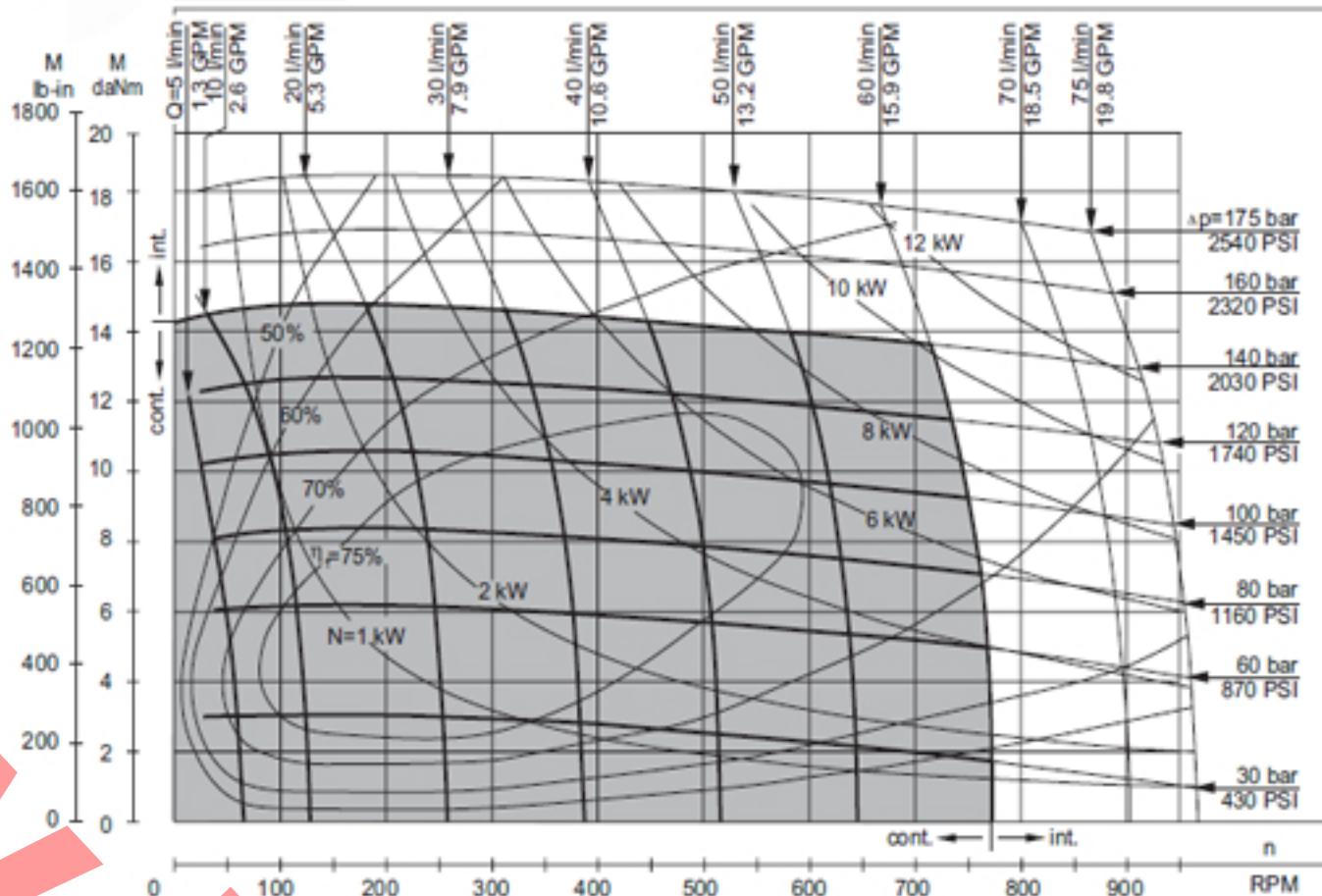


## SPECIFICATION DATA

Specification Data for MP... motors with C, CO, SH, K and SA shafts.  
( $\phi 28,56$  sealing diameter)

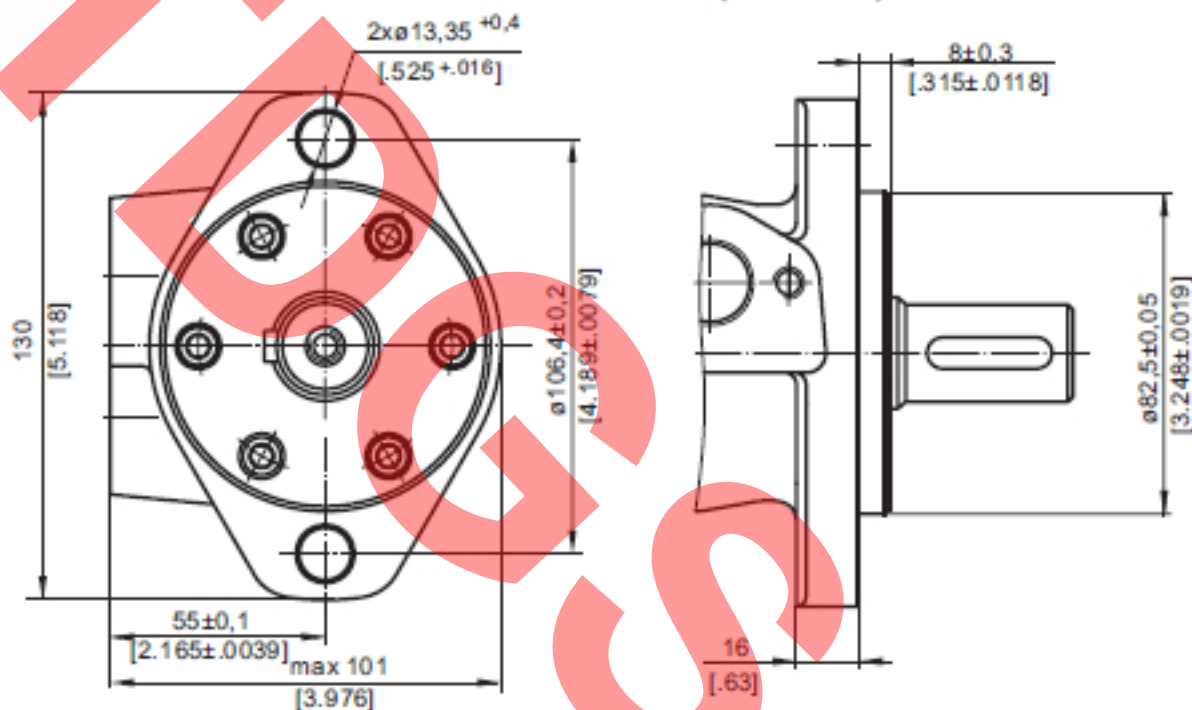
Type	MP 80
Displacement, cm <sup>3</sup> /rev [in <sup>3</sup> /rev]	79,2 [4.83]
Max. Speed, [RPM]	Cont. 755 Int.* 945
Max. Torque daNm [lb-in]	Cont. 15,1 [1340] Int.* 19,5 [1725] Peak** 22,4 [1985]
Max. Output kW [HP]	Cont. 10,2 [13.7] Int.* 12,5 [16.8]
Max. Pressure Drop bar [PSI]	Cont. 140 [2030] Int.* 175 [2540] Peak** 225 [3260]
Max. Oil Flow lpm [GPM]	Cont. 60 [15.9] Int.* 75 [19.8]
Max. Inlet Pressure bar [PSI]	Cont. 175 [2540] Int.* 200 [2900] Peak** 225 [3260]
Max. Return Pressure with Drain Line bar [PSI]	Cont. 175 [2540] Int.* 200 [2900] Peak** 225 [3260]
Max. Starting Pressure with Unloaded Shaft, bar [PSI]	10 [145]
Min. Starting Torque daNm [lb-in]	At max.press. drop Cont. 13,2 [1170] At max.press. drop Int.* 16,8 [1490]
Min. Speed***, [RPM]	10
Weight, kg [lb]	MP(F)(N) 5,9 [13.2] For rear ports MPW(N) 5,6 [12.4] MPQ(N) 5,3 [11.7]

## MP 80

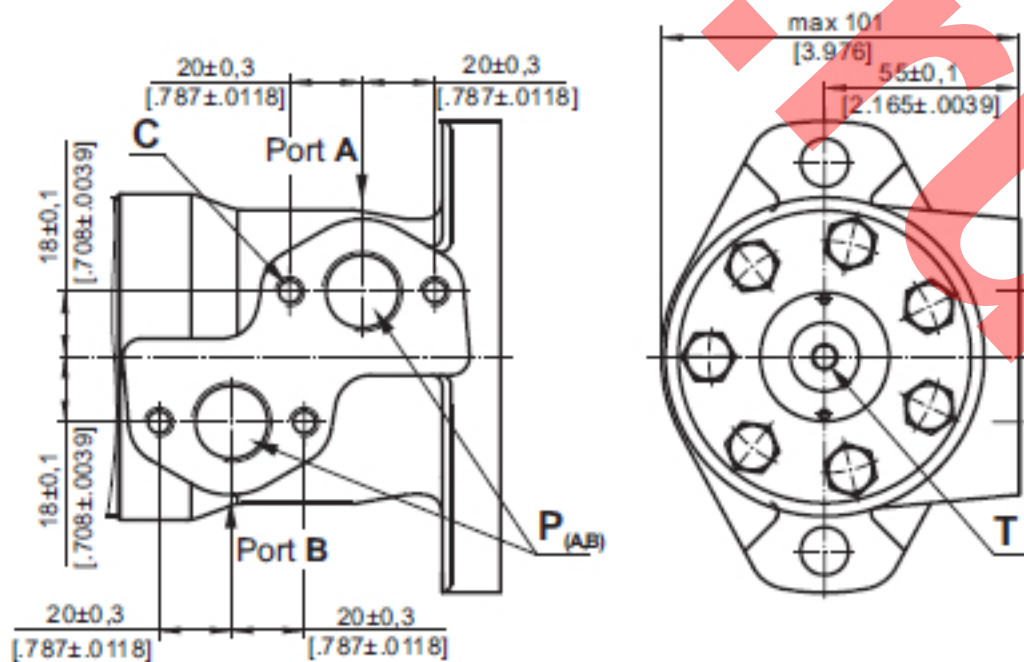


Type	L, mm [in]
MP(F) 80	139,5 [5.49]

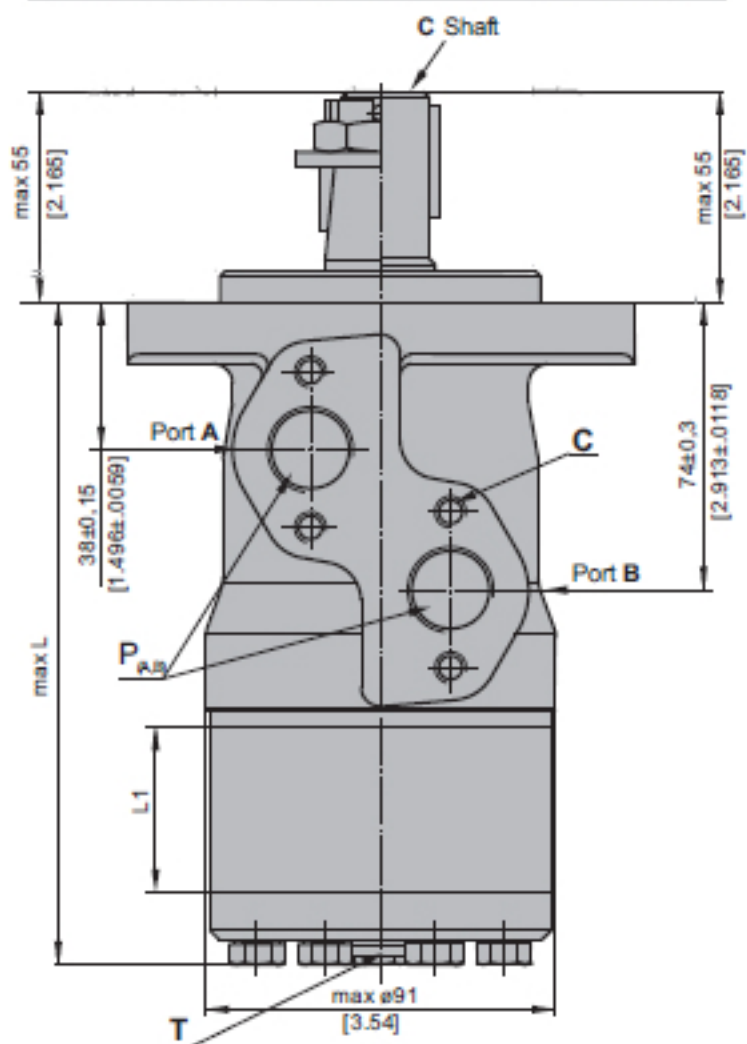
## Oval Mount (2 Holes)



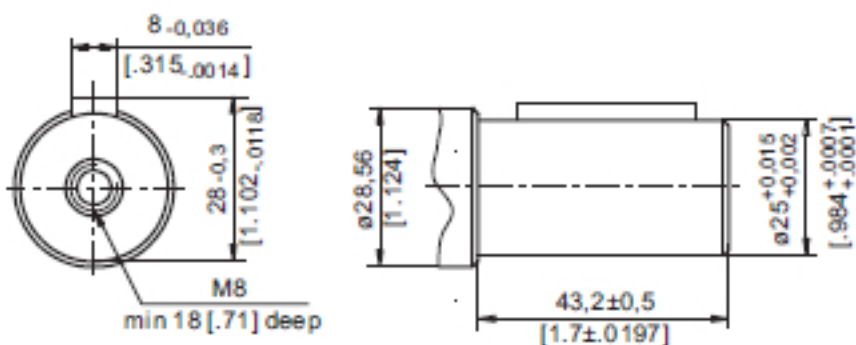
## Side Ports



## DIMENSIONS AND MOUNTING DATA



**C** -  $\phi 25$  straight, Parallel key A8x7x32 DIN 6885  
Max. Torque 34 daNm [3010 lb-in]



**C** : 4xM8 - 13 mm [.51 in] depth  
**P<sub>(A,B)</sub>** : 2xG1/2 or 2xM22x1,5 - 15 mm [.59 in] depth  
**T** : G1/4 or M14x1,5 - 12 mm [.47 in] depth (plugged)