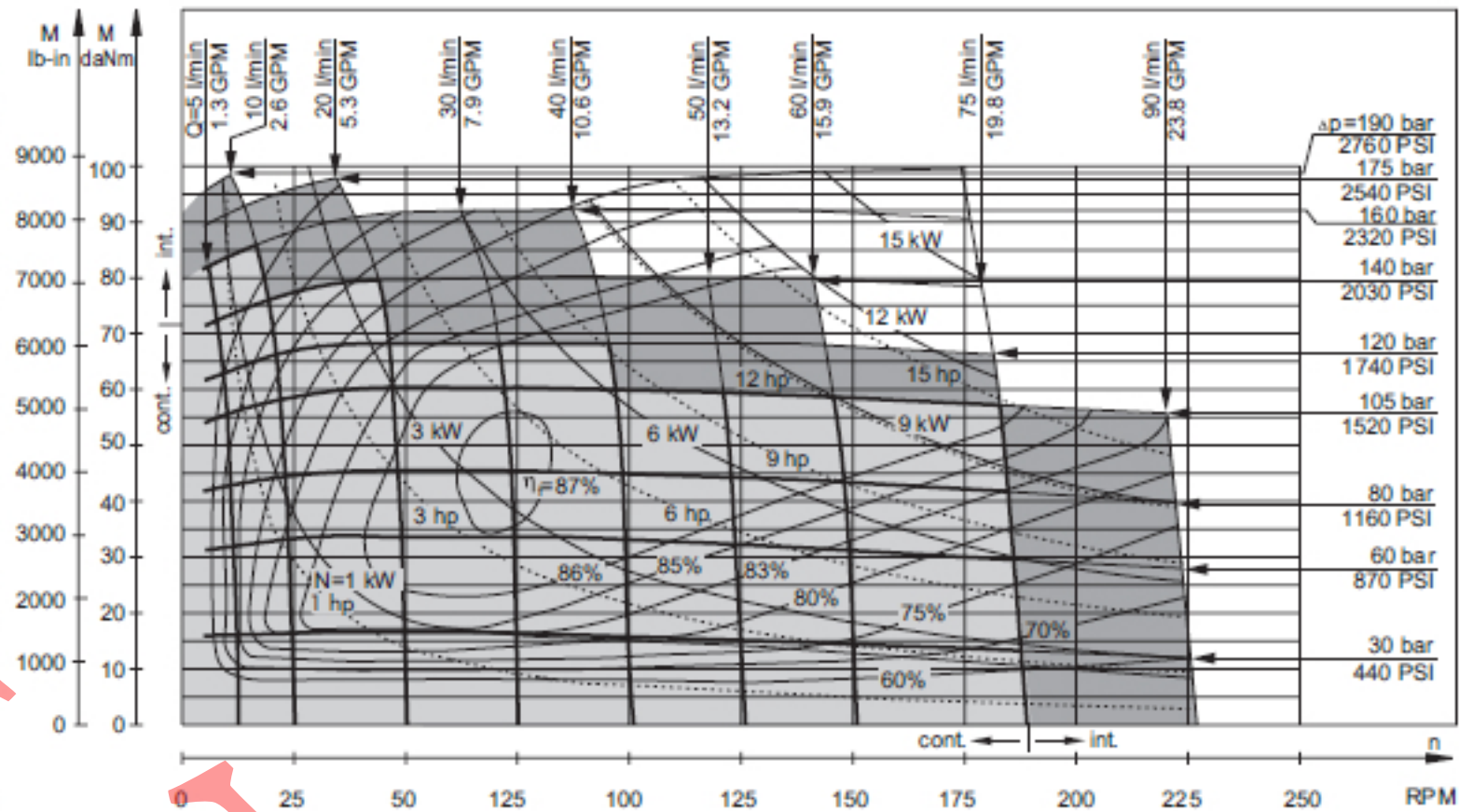


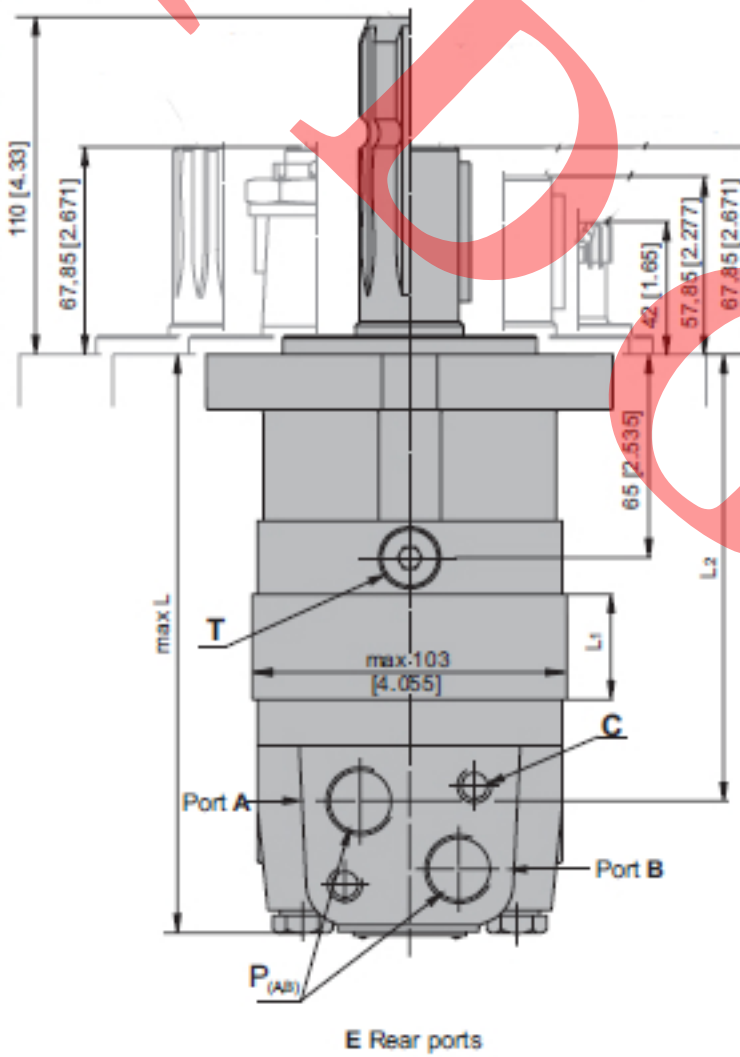
SPECIFICATION DATA (continued)

Type		
Displacement, cm ³ /rev [in ³ /rev]		397 [24.2]
Max. Speed, [RPM]	cont. Int.*	190 230
Max. Torque daNm [lb-in]	cont. Int.*	86,5 [7660] 99 [8760]
Max. Output kW [HP]	cont. int.*	11 [14.8] 12,5 [16.8]
Max. Pressure Drop bar [PSI]	cont. Int.* peak**	160 [2320] 190 [2760] 210 [3050]
Max. Oil Flow lpm [GPM]	cont. Int.*	75 [20] 90 [24]
Max. Inlet Pressure bar [PSI]	cont. Int.* peak**	230 [3340] 295 [4280] 300 [4350]
Max. Return Pressure with Drain Line bar [PSI]	cont. Int.* peak**	140 [2030] 175 [2540] 210 [3050]
Max. Starting Pressure with Unloaded Shaft, bar [PSI]		8 [115]
Min. Starting Torque daNm [lb-in]	at max. press. drop cont. at max. press. drop Int.*	71 [6280] 84 [7430]
Min. Speed***, [RPM]		5
Weight, kg [lb]		13,1 [29.3]
For Rear Ports + 0,40 [.88]		

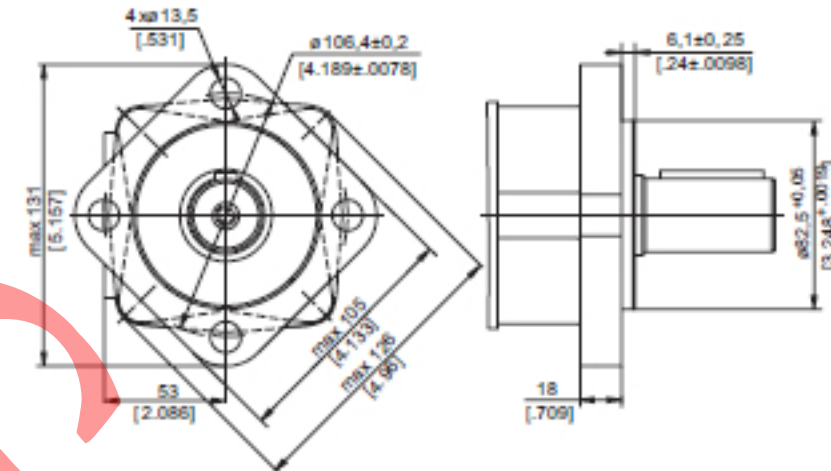


DIMENSIONS AND MOUNTING DATA

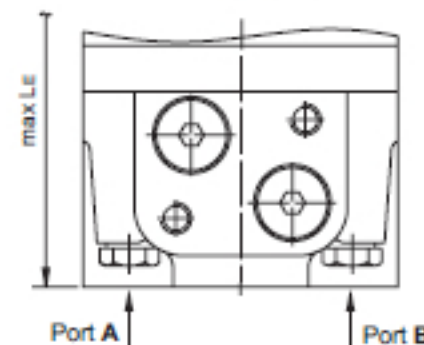
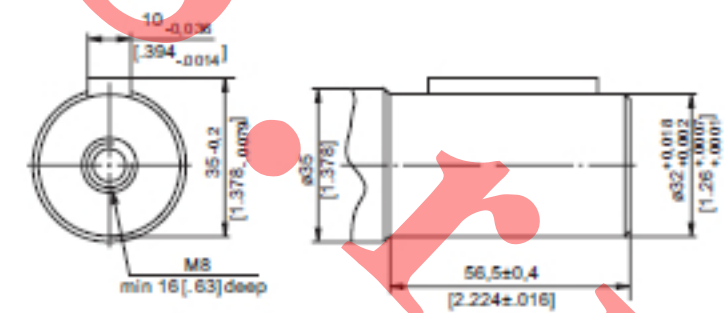
Type	L, mm[in.]	L ₂ , mm[in.]	*L _e , mm[in.]
400	223 [8.78]	179 [7.05]	228 [8.98]



SAE A-4 Mount (4 Holes)



ø32 straight, Parallel key A10x8x45 DIN 6885
Max. Torque 77 daNm [6815 lb-in]



C: 2xM10-12 mm [.47 in] depth
P_(A,B): 2xG1/2 or 2xM22x1,5-15 mm [.59 in] depth
T: G ¼ or M14x1,5- 12 mm [.47 in] depth (plugged)

Standard Rotation
Viewed from Shaft End
Port A Pressurized - CW
Port B Pressurized - CCW

Reverse Rotation
Viewed from Shaft End
Port A Pressurized - CCW
Port B Pressurized - CW