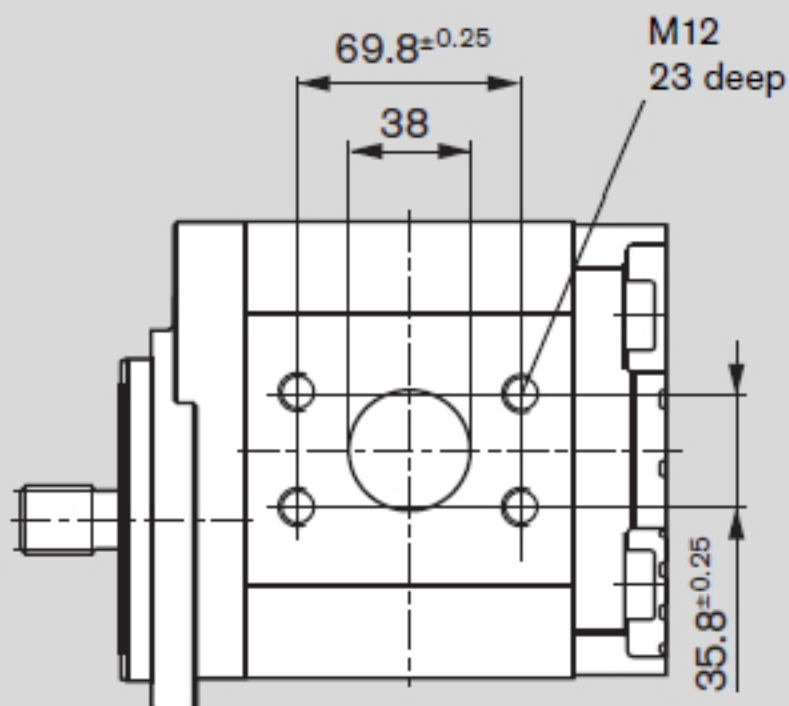


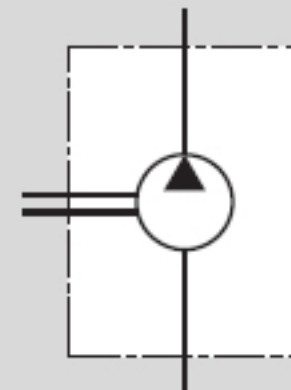
Spline shaft
ANSI B92.1
13 T 16/32 SP
Tooth thickness
 $\bar{sw} = 2.155_{-0.030}$



As shown in drawing



Inlet and outlet port changed



Displacement [cm ³ /rev]	Max. operating pressure [bar]	Max. rotation speed [rpm]	kg	Dimension [mm]	
				A	B
56	225	2300	11.0	80.2	157.7