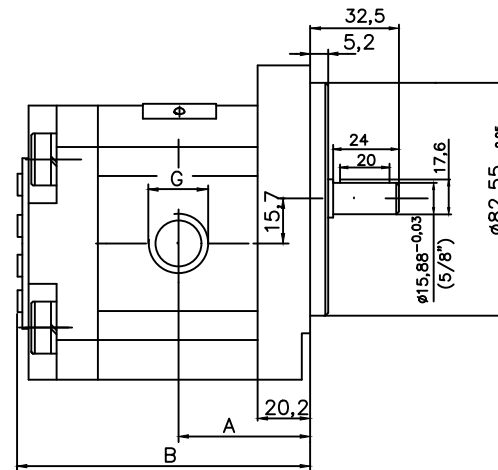
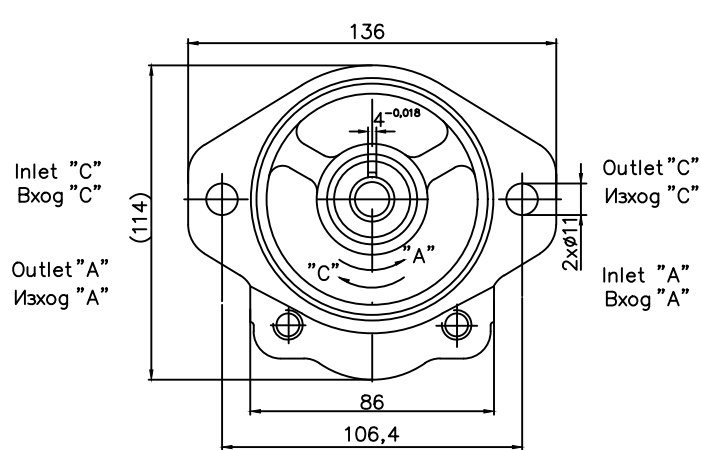


A(C)...X04T04-B



Type Тун	Dimensions Размери [mm,inch]										Technical data; Технически данни		
	A	B	Inlet Вхог				Outlet Изхог				displacement геометричен обем	nom. pressure номинално налягане	speed диапазон на оборотите
			E	d	F	G	E	d	F	G			
A(C)4X04T04-B	41,5	90				G1/2"				G1/2"	4	250	700...3500
A6X04T04-B	42,3	91,5				G1/2"				G1/2"	5	250	700...3500
A9X04T04-B	43	93				G1/2"				G1/2"	6	250	700...3500
A10X04T04-B	45	97				G1/2"				G1/2"	9	250	700...3500
A11X04T04-B	46	99				G3/4"				G1/2"	10	250	700...3500
A12X04T04-B	47	101				G3/4"				G1/2"	11	250	700...3500
A13X04T04-B	48	103				G3/4"				G1/2"	12	250	700...3500
A14X04T04-B	50	107				G3/4"				G1/2"	14	250	700...3500
A15X04T04-B	51	108.5				G3/4"				G1/2"	15	250	700...3000
A16X04T04-B	51,5	110				G3/4"				G1/2"	16	250	700...3000
A17X04T04-B	52	111				G3/4"				G1/2"	17	250	700...3000
A18X04T04-B	54	115				G3/4"				G1/2"	19	200	700...2500
A19X04T04-B	54	115				G3/4"				G1/2"	19	200	700...2500
A20X04T04-B	57	121				G3/4"				G1/2"	22	200	700...2500
A21X04T04-B	64	134				G3/4"				G1/2"	25	160	700...2000
A22X04T04-B	64	134				G3/4"				G1/2"	25	160	700...2000
A23X04T04-B	64.5	136				G3/4"				G1/2"	26	160	700...2000